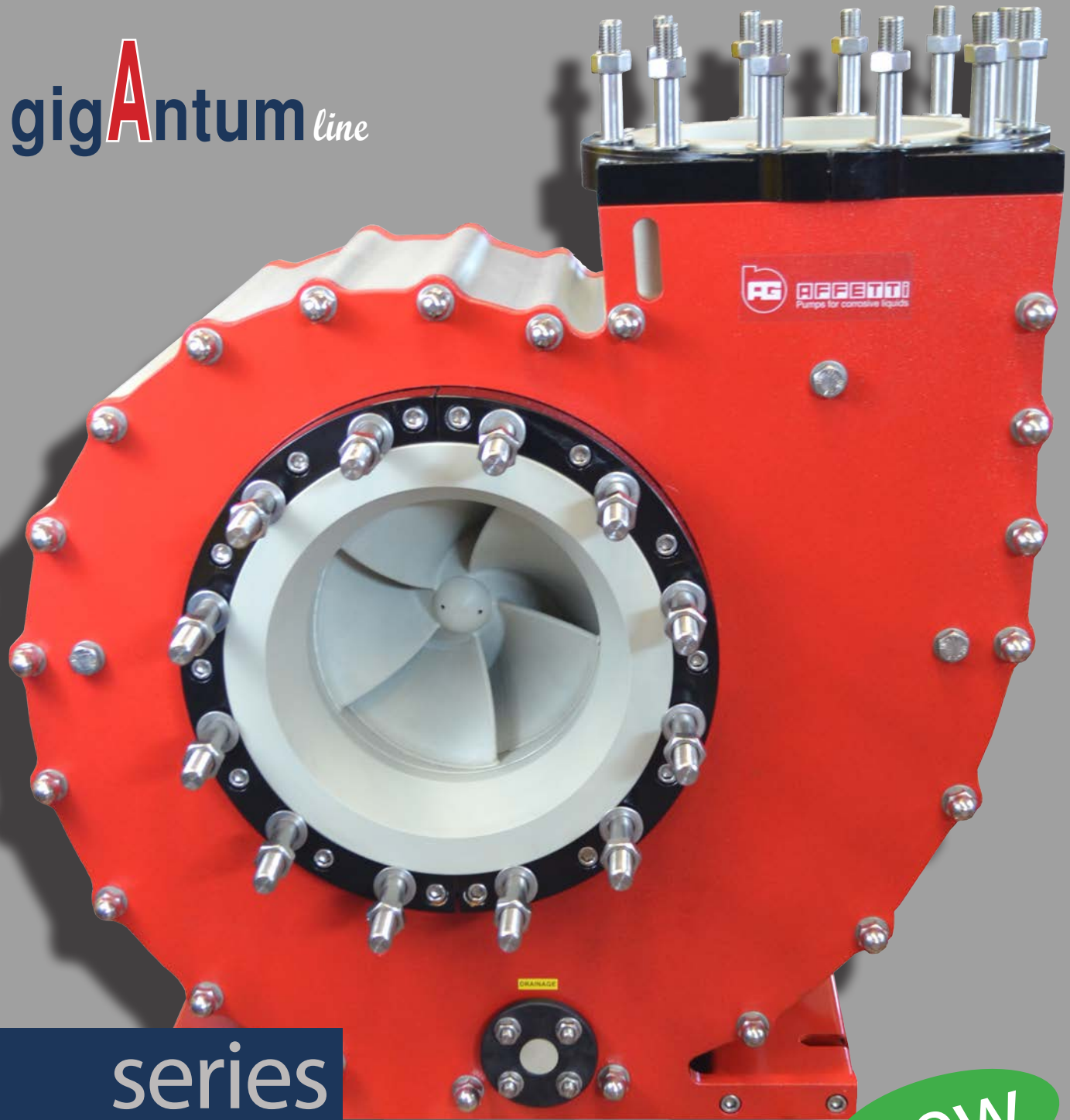




**AFFETTI**  
Pumps for corrosive liquids



**gigAntum** *line*



series  
**CGK**  
**CMK**

**new**

Horizontal Plastic **High Flow**  
centrifugal pumps  
with mechanical seal

ISO 9001 Certified company

## Horizontal Plastic **High Flow** centrifugal pumps with mechanical seal

### Our Big Pump for High Flow & Low Pressure

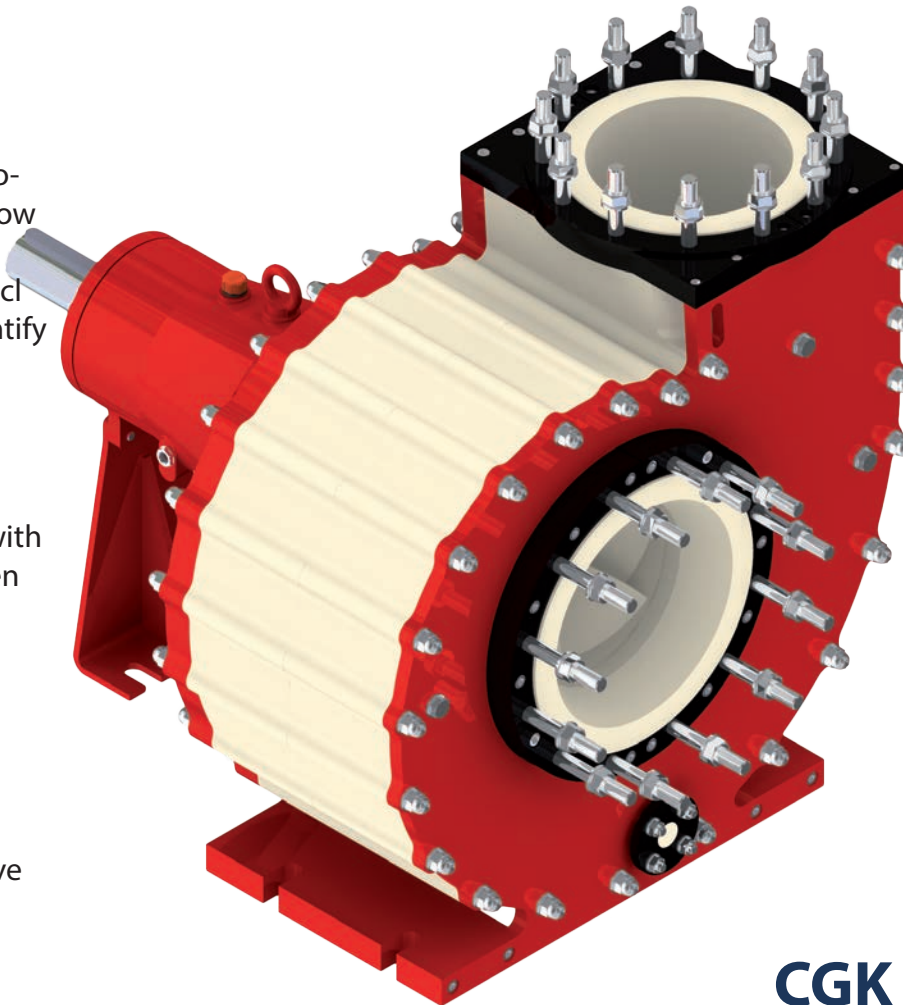
The new CGK and CMK pump is developed to handle corrosive liquids with flow rates from 200 m<sup>3</sup>/h to 4.000 m<sup>3</sup>/h. The low pressure from 2.5 mcl to 40 mcl and the close coupled availability identify this series as a unique product in thermoplastic range.

#### Features:

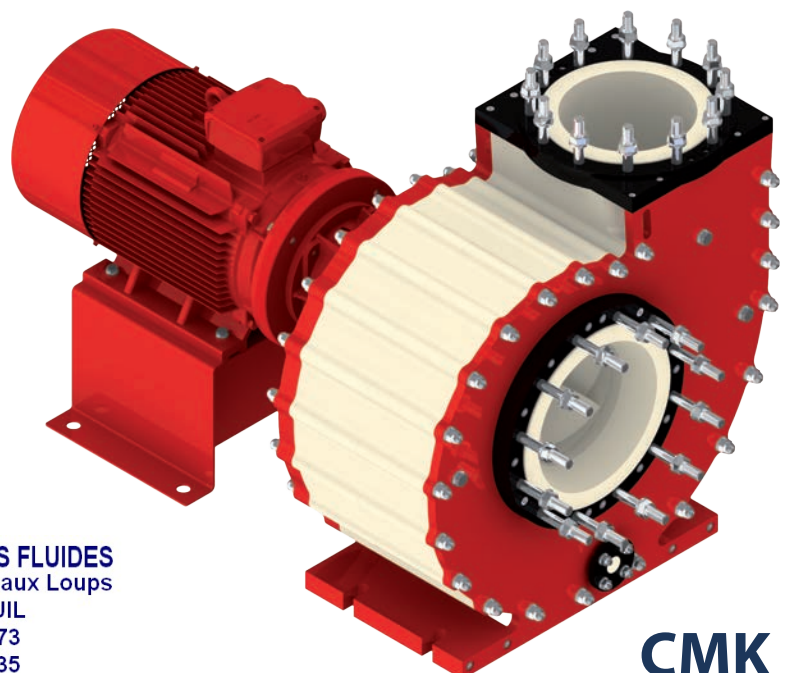
- High efficiency impeller & volute with Best Efficiency Point range between 82% and 86%
- Semi-open or Closed impeller configuration
- Solids up to 10%
- Grease or Oil lubricated versions
- Impeller separated with shaft sleeve
- No screwing impeller
- Shaft Adjustment system
- Coupling & Close coupled versions
- Internal/external - Single/Double mechanical seal configuration
- PP, PVDF, PE-UHMW materials

#### Applications:

- Seawater
- Aquarium
- Fishfarm
- Flue Gas cleaning system
- Scrubber air treatment
- Metal finishing/steel pickling lines
- Waste Incinerators



**CGK**



**CMK**