



## COMMERCIAL DUTY WATER PUPPY

### MODELS:

23680-4003 12V DC

23680-4103 24V DC



### FEATURES:

Continuous rated, medium duty pumps for bilge and general purpose use.

- ISO 8846 MARINE (Ignition protection).
- ISO 8849 MARINE (Bilge pump standard).
- Small bilge debris present no problem to these bronze bodied, flexible impeller pumps.
- Simple design means fewer wearing parts.
- 32 lpm (6.5 UK gpm) output @ 3m (10ft) head.
- Self priming to 1.2m (4 ft).

### WATER PUPPY PERFORMANCE

Approximate performance for new pump, running water at 20°C with fully charged battery

| TOTAL HEAD |    | WATER PUPPY |        |
|------------|----|-------------|--------|
| m          | ft | lpm         | UK gpm |
| 2          | 7  | 35          | 7.7    |
| 3          | 10 | 32          | 7      |
| 4          | 13 | 30          | 6.6    |
| 6          | 20 | 25          | 5.5    |



**WARNING:** If the fuse fails repeatedly do not fit a heavier fuse or bridge the fuse terminals with silver paper or metal wire. Failure to observe this instruction may result in a fire hazard due to overheating of cables.



**WARNING:** Do not use any Jabsco pump for petrol, petroleum products or any products with a flash point below 37°C (98°F), explosion or death may occur.

### INSTALLATION INSTRUCTIONS:

Jabsco Water Puppy can be mounted on any flat surface. Fit the pump in a dry, well ventilated position where there is full access for service. If installed in a vertical position the motor must be above the pump head. Use the rubber grommets provided to minimise vibration, do not overtighten the mounting screws.

Secure 25mm (1") id hose either direct to the discharge ports or to ½" BSP male threaded fittings using stainless steel hose clamps. Use spiral reinforced hose (with a smooth internal bore) that will not collapse under suction, or rigid or semi rigid pipework systems. The pipework must be compatible with the liquid being pumped. Pipe runs should be kept as straight and short as possible, avoiding rising and dipping over obstructions. Fit a strainer on the inlet hose to prevent larger debris from entering the pump.

### WIRING INSTRUCTIONS

Make all electrical connections in dry locations, connections in humid environments should be sealed to prevent corrosion. Protect the circuit with a correctly rated fuse or circuit breaker in the orange positive (+) lead as close as possible to the power source. Connect the black motor wire to the negative (-) battery terminal. Inadequate voltage at the motor terminals when the pump is running (not less than 10% below rated voltage at full load) due to partially discharged batteries or insufficient cable size may result in blowing fuses, failure to start or poor pump performance.



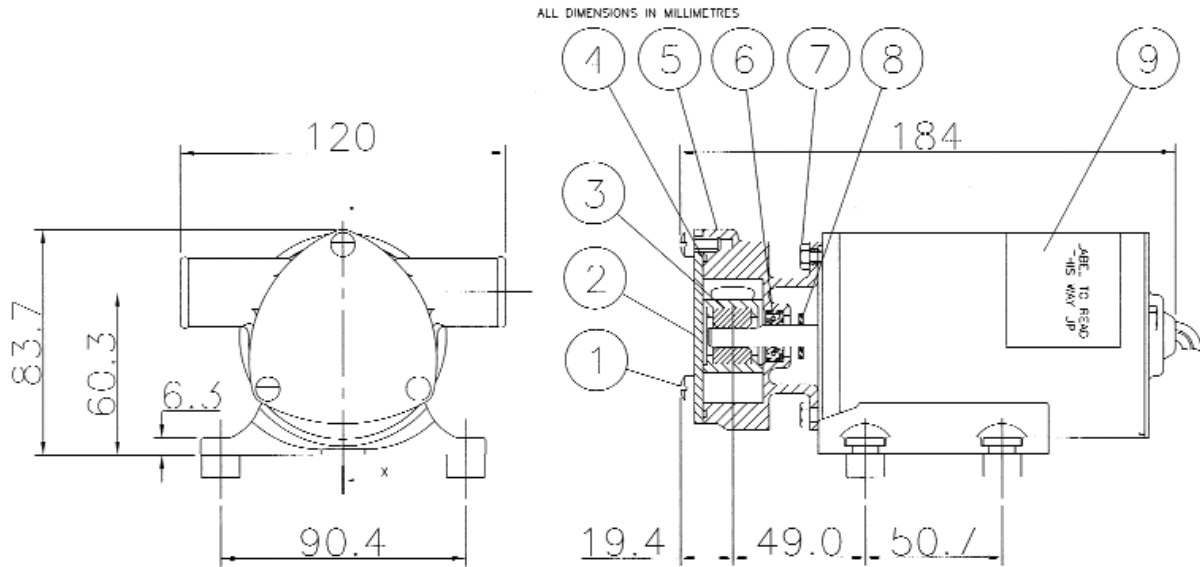
**WARNING:** All marine pumps discharging overboard must be installed with the overboard discharge well above both static and heeled waterlines.



| ELECTRICAL WIRING INFORMATION |         |                  |                   |                                   |  |
|-------------------------------|---------|------------------|-------------------|-----------------------------------|--|
| MODEL NO.                     | VOLTAGE | MAXIMUM AMP DRAW | MAXIMUM FUSE SIZE | MINIMUM WIRE SIZE                 | MAXIMUM LENGTH BETWEEN (+) & (-) BATTERY TERMINALS |
| 23680-4003                    | 12 volt | 13 amp           | 15 amp            | 30 / 0.25mm (1.5mm <sup>2</sup> ) | 4.5m (15ft) *                                      |
| 23680-4103                    | 24 volt | 6 amp            | 10 amp            | 32 / 0.2mm (1.0mm <sup>2</sup> )  | 4.5m (15ft) *                                      |

\* For longer installations, fit thicker cables

## DIMENSIONAL DRAWING & PARTS LIST



**WEIGHT:** Water Puppy - 3.0kg (6.6lb)

| WATER PUPPY PART LIST                 |                       |          |             |
|---------------------------------------|-----------------------|----------|-------------|
| KEY                                   | DESCRIPTION           | QUANTITY | PART NO.    |
| 1                                     | End Cover Screw *     | 3        | SP1004-09   |
| 2                                     | End Cover             | 1        | 9328-0200   |
| 3                                     | Impeller *            | 1        | 6303-0003   |
| 4                                     | O-ring *              | 1        | X5251-049   |
| 5                                     | Body                  | 1        | 23064-2100  |
| 6                                     | Seal *                | 1        | SP2701-52   |
| 7                                     | Screw (pump to motor) | 2        | X3001-147F  |
| 8                                     | Slinger               | 1        | 6342        |
| 9                                     | Motor 12V             | 1        | 98012-2652C |
|                                       | Motor 24V             | 1        | 98012-2653C |
| Service Kit (Contains Items Marked *) |                       |          | SK224       |

**Jabsco**



**ITT Industries**

**Jabsco**, 20 Icon, Foothill Ranch, CA 92610

Tel : +1 949 609 5106 Fax : +1 949 859 1254

**USA**

**Jabsco**, Bingley Road, Hoddesdon, Hertfordshire, EN11 0BU  
Tel : +44 (0) 1992 450 145 Fax : +44 (0) 1992 467 132

**UK**

**Fluid Products Canada**, 55 Royal Road, Guelph, Ontario N1H 1T1  
Tel : +1 519 821 1900 Fax : +1 519 821 5316

**CANADA**

**NHK Jabsco Co Ltd**, 3-21-10, Shin - Yokohama, Kohoku-ku, Yokohama 222  
Tel : +81 (0) 45 475 8906 Fax : +81 (0) 45 475 8908

**JAPAN**

**Jabsco GmbH**, Oststraße 28, 22844 Norderstedt  
Tel : +49 (0) 40 53 53 73 0 Fax : +49 (0) 40 53 53 73 11

**GERMANY**

Warranty: All products of the company are sold and all services of the company are offered subject to the company's warranty and terms and conditions of sale, copies of which will be furnished upon request.

©Copyright 2005 ITT Industries

[www.jabsco.com](http://www.jabsco.com)

43010-0129 rev 08/2005 qxd