

28200 Series

Hygienic Stainless Steel Pedestal Pump

Features

- Self primes from dry up to 5.0 metres
- Flows up to 40 litres per minute
- Pressure up to 3.0 bar
- Handles soft solids - max. 8mm diameter
- Certified to US 3A Standard 02-09
- Clean-In-Place (CIP) or easy strip clean
- Handles viscosities up to 50,000 centiPoise
- Minimal shear to thixotropic fluids
- Easy to service and maintain



Typical Applications

- Foods, sauces, doughs, preserves, liquid egg, meat pastes
- Dairy products, milk, cream, yoghurt, cheeses
- Cosmetics, toothpaste, shampoos, soaps
- Pharmaceutical creams & lotions
- Wines, beers, soft drinks, fruit juices & syrups
- Ingredients unloading and transfer
- Tank filling and emptying
- Recirculation and mixing
- Portion and container filling
- Brine injection
- Sampling, filtration and more

Specifications

Seal : Carbon / Ceramic mechanical face seal
Tungsten Carbide / Ceramic hard faced seal
Flushed options for crystallising fluids

Seal Elastomer : Food grade Nitrile

Pump Head : Stainless steel 316, machined interior and electropolished exterior finish

End Cover : Stainless steel 316 grade

Shaft : Stainless steel 316 grade

Bearings : Greased ball bearings

Bearing Housing : Epoxy coated cast iron

Ports :			
1"	Tri-Clamp	28200-1xxx	
25mm	IDF/ISS	28200-3xxx	
1"	RJT to BS1864	28200-4xxx	
1"	3A Bevel Seat	28200-5xxx	
25mm	DIN 11851	28200-6xxx	
25mm	SMS 1145	28200-7xxx	

Model Range

Weight : 2.9kg


Pressure options	Standard - Max 2.5 bar		High - Max 3.0 bar		
	Elastomer option	3A Neoprene	E.P.D.M.	3A Neoprene	E.P.D.M.
Temperature range	4°C to 65°C		0°C to 120°C	4°C to 65°C	0°C to 120°C
Mechanical Seal Options					
Carbon/Ceramic	28200-x105		28200-x102	28200-x125	
Tungsten Carbide/Ceramic hard faced	28200-x205			28200-x225	
Flushed Mechanical Seal					
Tungsten Carbide/Ceramic hard faced	28200-x705			28200-x725	
Carbon/Ceramic	28200-x905			28200-x925	

For models not listed above, consult distributor or factory, 'x' Substitute port code from table above


Note : it is not recommended to start the pump at extremes of the temperature range, impeller damage may occur

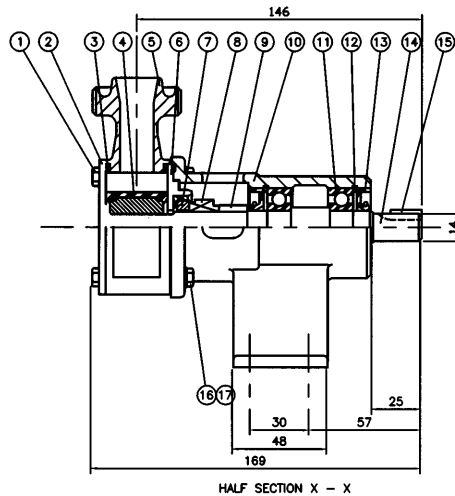
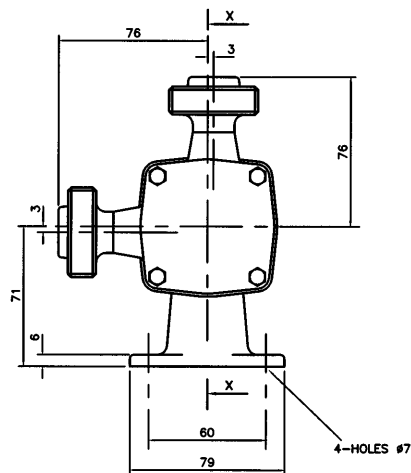
For Installation, Operating, Maintenance and Safety Instructions refer to form 43001-0543

⚠ WARNING Explosion hazard. Do not pump gasoline, solvents, thinners or other flammable liquids. To do so can cause an explosion resulting in injury or death.



⚠ WARNING Injury hazard. Exposed pulleys and belts can cause injury. Install shield around pulleys and belts. Stay clear while machinery is operating.





28200 Series

Flushed Seal

Dimensions in mm

For performance data refer to the 040 size flexible impeller pump performance curves

Parts List

Key	Description	Qty	Part Number
1	Screw	4	X3001-147F
2	Endcover	1	28205-0020
3	O'Ring *	2	See right
4	Impeller*	1	See right
5	Body	1	See right
6	Wearplate	1	28236-0000
7 / 8	Seal Assembly *	1	See right
9	Seal Spacer	1	28217-0000
10	Bearing Housing	1	28203-0000
11	Bearing	2	SP2600-01
12	Retaining Ring	2	SP1701-4435
13	Lip seal (Bearing Housing)	2	SP2700-39
14	Shaft	1	28207-0000
15	Key	1	X4000-109A
16	Washer	4	X3080-081F
17	Screw	4	X3001-153F
22	O-Ring	1	X4020-237A
23	Seal Housing	1	28212-0000
24	Tube	2	21844
25	Seal	1	SP2701-0913
26	O-Ring	1	X4020-215A
27	Seal Spacer	1	28217-0001

Parts marked * Contained in service kit

Spare Parts & Service Kits

Pressure Rating		Standard	High
3	O-Ring	Nitrile X4020-259A	X4020-259A
4	Impeller	3A Neoprene 7614-0005B	8980-0005B
		E.P.D.M. 7614-0002B	8980-0002B
5	Body	Tri-Clamp 28204-1000	28204-1000
		IDF/ISS 28204-3000	28204-3000
		RJT 28204-4000	28204-4000
		Bevel Seat 28204-5000	28204-5000
		DIN 28204-6000	28204-6000
7 / 8	Seals	SMS 28204-7000	28204-7000
		Std Mech. 28231-0103B	28231-0103B
		Hard Faced 28231-0203B	28231-0203B
Service Kit		3A Neoprene SK376-0105	SK376-0125
		E.P.D.M.	

Models with Neoprene and E.P.D.M. impellers use Nitrile elastomers on seals and O-rings.
 High Temperature impeller part no. 23470-0065B available separately.
 NOTE:- Service Kits contain standard mechanical seals. For hard faced seals, order parts separately.

Other Available Options

Standard head kits, for close coupling to standard IEC motors.

Jabsco



ITT Industries

USA

Jabsco
 20 Icon
 Foothill Ranch
 CA 92610

Tel : +1 949 859 4945
 Fax : +1 949 859 1153

UK

Jabsco
 Bingley Road
 Hoddesdon
 Hertfordshire, EN11 0BU

Tel : +44 (0) 1992 450 145
 Fax : +44 (0) 1992 467 132

GERMANY

Jabsco GmbH
 Oststraße 28
 22844 Norderstedt

Tel : +49 (0) 40 53 53 73 0
 Fax : +49 (0) 40 53 53 73 11