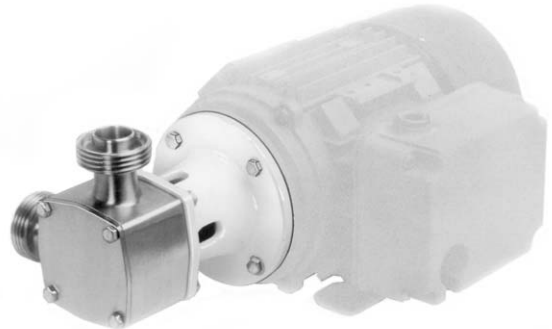


28320 Series

Hygienic Stainless Steel Head Kit Pump

Features

- Self primes from dry up to 5.0 metres
- Flows up to 80 litres per minute
- Pressure up to 4.0 bar†
- Handles soft solids - max. 12mm diameter
- Certified to US 3A Standard 02-10
- Easy strip clean
- Handles viscosities up to 10,000 centiPoise
- Minimal shear to thixotropic fluids
- Fits IEC standard motor B3/B14, frame 80



Typical Applications

- Foods, sauces, doughs, preserves, liquid egg, meat pastes
- Dairy products, milk, cream, yoghurt, cheeses
- Cosmetics, toothpaste, shampoos, soaps
- Pharmaceutical creams & lotions
- Wines, beers, soft drinks, fruit juices & syrups
- Ingredients unloading and transfer
- Tank filling and emptying
- Recirculation and mixing
- Portion and container filling
- Brine injection
- Sampling, filtration and more

Specifications

Seal : Carbon / Ceramic mechanical face seal
Tungsten Carbide / Ceramic hard faced seal
Flushed options for crystallising fluids

Seal Elastomer : Food grade Nitrile

Pump Head : Stainless steel 316, machined interior and electropolished exterior finish

End Cover : Stainless steel 316 grade

Shaft : Stainless steel 316 grade shaft extension

Bearings : Uses motor bearings

Motor Adaptor : Epoxy coated cast iron


Ports :			
1"	Tri-Clamp	28320-1xxx	
25mm	IDF/ISS	28320-3xxx	
1"	RJT to BS1864	28320-4xxx	
1"	3A Bevel Seat	28320-5xxx	
25mm	DIN 11851	28320-6xxx	
25mm	SMS 1145	28320-7xxx	

Model Range

Weight : 3.5kg

Pressure options	Standard - Max 2.5 bar†		High - Max 4.0 bar†	
	3A Neoprene	E.P.D.M.	3A Neoprene	E.P.D.M.
Elastomer option	3A Neoprene	E.P.D.M.	3A Neoprene	E.P.D.M.
Temperature range	4°C to 70°C	4°C to 100°C	4°C to 70°C	4°C to 100°C
Mechanical Seal Options				
Carbon/Ceramic	28320-x105		28320-x125	
Tungsten Carbide/Ceramic hard faced	28320-x205			
Flushed Mechanical Seal				
Tungsten Carbide/Ceramic hard faced				
Carbon/Ceramic				
For models not listed above, consult distributor or factory, 'x' Substitute port code from table above				
Note : it is not recommended to start the pump at extremes of the temperature range, impeller damage may occur				
For Installation, Operating, Maintenance and Safety Instructions refer to form 43001-0543				

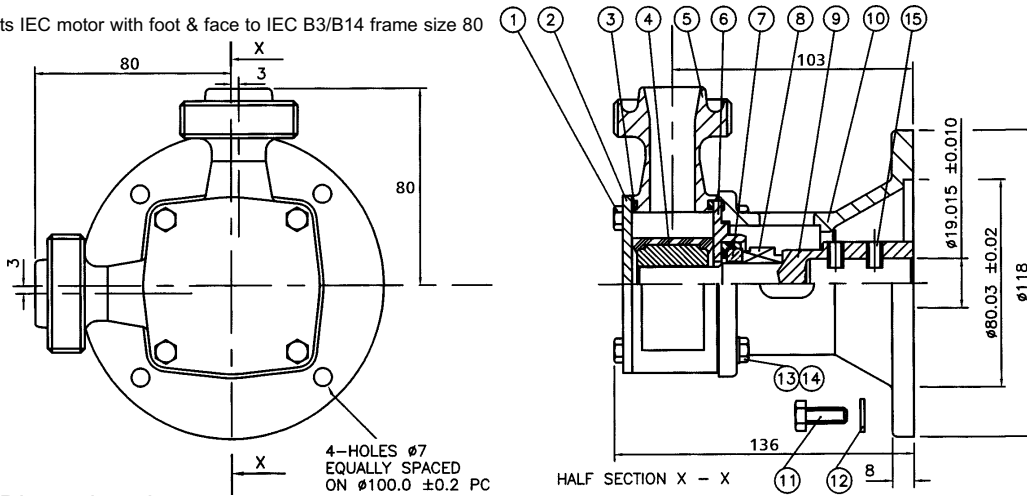
⚠ WARNING Explosion hazard. Do not pump gasoline, solvents, thinners or other flammable liquids. To do so can cause an explosion resulting in injury or death.



† Pressures over 1.7 bar may reduce motor shaft life

Fits IEC motor with foot & face to IEC B3/B14 frame size 80

28320 Series



Dimensions in mm

For performance data refer to the 080 size flexible impeller pump performance curves

Flushed Seal

Parts List

Key	Description	Qty	Part Number
1	Screw	4	X3001-176F
2	Endcover	1	28305-0020
3	O'Ring *	2	See right
4	Impeller*	1	See right
5	Body	1	See right
6	Wearplate	1	28336-0000
7 / 8	Seal Assembly *	1	See right
9	Shaft Extension	1	28327-0001
10	Motor Adaptor	1	28323-0000
11	Screw	4	X3001-180F
12	Washer	4	X3080-091K
13	Screw	4	X3001-180F
14	Washer	4	X3080-091F
15	Set Screw	2	X3009-176A
22	O-Ring	1	X4020-244A
23	Seal Housing	1	28312-0000
24	Tube	2	21844
25	Seal	1	SP2701-0914

Parts marked * Contained in service kit

Spare Parts & Service Kits

Pressure Rating		Standard	High
3	O-Ring	Nitrile X4020-269A	X4020-269A
4	Impeller	3A Neoprene 8981-0005B	8840-0005B
		E.P.D.M. 8981-0002B	8840-0002B
5	Body	Tri-Clamp 28304-1000	28304-1000
		IDF/ISS 28304-3000	28304-3000
		RJT 28304-4000	28304-4000
		Bevel Seat 28304-5000	28304-5000
		DIN 28304-6000	28304-6000
		SMS 28304-7000	28304-7000
7 / 8	Seals	Std Mech. 28331-0103B	28331-0103B
		Hard Faced 28331-0203B	28331-0203B
Service Kit		3A Neoprene SK377-0105	SK377-0125
		E.P.D.M.	

Models with Neoprene and E.P.D.M. impellers use Nitrile elastomers on seals and O-rings.

NOTE:- Service Kits contain standard mechanical seals. For hard faced seals, order parts separately.

Other Available Options

Pedestal pumps, for higher pressure capability.



JabSCO, 1 Kondelin Road, Cape Ann Industrial Park, Gloucester, MA 01930
Tel : +1 978 281 0440 Fax : +1 978 283 2619

USA

JabSCO, Bingley Road, Hoddesdon, Hertfordshire, EN11 0BU
Tel : +44 (0)1992 450145 Fax : +44 (0)1992 467132

UK

Fluid Products Canada, 55 Royal Road, Guelph, Ontario N1H 1T1
Tel : +1 519 821 1900 Fax : +1 519 821 5316

CANADA

NHK JabSCO Co Ltd, 3-21-10, Shin - Yokohama, Kohoku-ku, Yokohama 222
Tel : +81 (0) 45 475 8906 Fax : +81 (0) 45 475 8908

JAPAN

JabSCO GmbH, Oststraße 28, 22844 Norderstedt
Tel : +49 (0) 40 53 53 73 0 Fax : +49 (0) 40 53 53 73 11

GERMANY

JabSCO Italia, s.r.l., Via Tommaseo, 6, 20059 Vimercate, Milano
Tel : +39 039 685 2323 Fax : +39 039 666 307

ITALY

Warranty: All products of the company are sold and all services of the company are offered subject to the company's warranty and terms and conditions of sale, copies of which will be furnished upon request. The information provided herein is for guidance only, it does not constitute a guarantee of the performance or specification of any individual product or component.

©Copyright 2006 ITT Corporation

43010-0034