

## 28330 Series Stainless Steel Pedestal Pump

### Features

- Self primes from dry up to 5.0 metres
- Flows up to 80 litres per minute
- Pressure up to 4.0 bar
- Handles hard or soft solids - max. 6mm dia
- Tolerates abrasive wear - replacable wearplate
- Non pulsating flow, proportional to speed
- Handles viscosities up to 4,000 centiPoise
- Minimal shear to thixotropic fluids
- Easy to service and maintain



### Typical Applications

- Acids and alkalis, compounds, copper sulphate, methyls, alcohols.
- Industrial chemicals, resins, oils, fatty acids, brine.
- Detergents, soaps, hydrogen peroxide.
- Paints, dyes, inks, varnishes, laquers, solvents.
- Transfer, filling, recirculation and agitation, spillage return, spraying, coating, filtration.
- Viscous, shear-sensitive fluids, small hard and soft solids in suspension.

### Specifications

**Seal** : Carbon / Ceramic mechanical face seal  
**Optional:**

- Tungsten Carbide / Ceramic hard faced mechanical seal
- Nitrile Lip seal on shaft sleeve
- Carbon / Ceramic flushed seal
- Tungsten Carbide / Ceramic hard faced flushed seal

**Seal Elastomer** : Nitrile or Viton

**Pump Head** : Stainless steel 316, as-cast interior and exterior finish

**End Cover** : Stainless steel 316 grade

**Shaft** : Stainless steel 316 grade

**Bearings** : Greased ball bearings

**Bearing Housing** : Epoxy coated cast iron

**Ports** : 1" BSP internal thread to BS21 (DIN2999)

**Weight** : 4.2kg

### Model Range


Pressure options	Standard - Max 2.5 bar				High - Max 4.0 bar			
	Neoprene	E.P.D.M.	Nitrile	Viton®	Neoprene	E.P.D.M.	Nitrile	Viton®
<b>Elastomer option</b>	Neoprene	E.P.D.M.	Nitrile	Viton®	Neoprene	E.P.D.M.	Nitrile	Viton®
<b>Temperature range</b>	4°C to 80°C	0°C to 120°C	-5°C to 90°C	10°C to 90°C	4°C to 80°C	0°C to 120°C	-5°C to 90°C	10°C to 90°C
<b>Mechanical Seal Options</b>								
Carbon/Ceramic	28330-2101	28330-2102	28330-2103	28330-2104	28330-2121	28330-2122	28330-2123	28330-2124
Tungsten Carbide/Ceramic hard faced	28330-2201		28330-2203					
<b>Lip seal</b>	28330-2401							
<b>Flushed Mechanical Seal</b>								
Tungsten Carbide/Ceramic hard faced			28330-2703					
Carbon/Ceramic			28330-2903					

For models not listed above, consult distributor or factory


Note : it is not recommended to start the pump at extremes of the temperature range, impeller damage may occur

For Installation, Operating, Maintenance and Safety Instructions refer to form 43001-0543

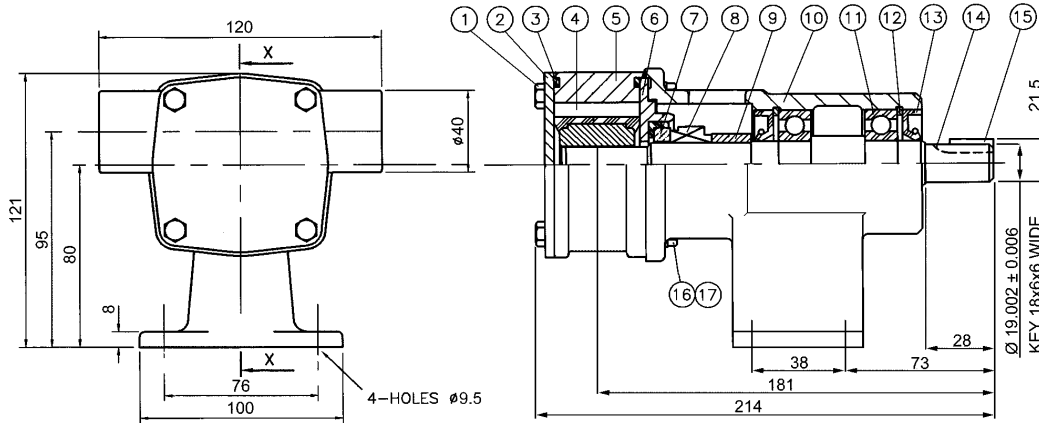
**⚠ WARNING** Explosion hazard. Do not pump gasoline, solvents, thinners or other flammable liquids. To do so can cause an explosion resulting in injury or death.



**⚠ WARNING** Injury hazard. Exposed pulleys and belts can cause injury. Install shield around pulleys and belts. Stay clear while machinery is operating.



### 28330 Series



Dimensions in mm

For performance data refer to the 080 size flexible impeller pump performance curves

Lip Seal  
Flushed Seal

### Parts List

Key	Description	Qty	Part Number
1	Screw	4	X3001-176F
2	Endcover	1	28305-0010
3	O'Ring *	2	See right
4	Impeller*	1	See right
5	Body	1	28334-2000
6	Wearplate	1	28336-0000
7 / 8	Seal Assembly *	1	See right
9	Seal Spacer	1	28317-0000
10	Bearing Housing	1	28303-0000
11	Bearing	2	SP2601-33
12	Retaining Ring	2	SP1701-438
13	Lip seal (Bearing Housing)	2	SP2701-0910
14	Shaft	1	28307-0000
15	Key	1	X4000-130A
16	Washer	4	X3080-091K
17	Screw	4	X3001-180F
18	Wearplate	1	28366-0000
19	Lip Seal	1	SP2701-0914
20	O-Ring	1	X4020-217A
21	Seal Spacer	1	28365-0011
22	O-Ring	1	X4020-244A
23	Seal Housing	1	28312-0000
24	Tube	2	21844
25	Seal	1	SP2701-0914
26	O-Ring	1	X4020-217A
27	Seal Spacer	1	28317-0001

Parts marked \* Contained in service kit

### Spare Parts & Service Kits

Pressure Rating		Medium	High	
3	O-Ring	Nitrile	X4020-269A	X4020-269A
		Viton	X4020-269B	X4020-269B
4	Impeller	Neoprene	14282-0001B	8840-0021B
		E.P.D.M.	8981-0002B	8840-0002B
		Nitrile	14282-0003B	8840-0023B
		Viton	14282-0004B	8840-0024B
7 / 8	Std Mech.	E.P.D.M.	28331-0102B	28331-0102B
		Nitrile	28331-0103B	28331-0103B
	Hard Faced	Viton	28331-0104B	28331-0104B
		Nitrile	28331-0203B	28331-0203B
Service Kit		Viton	28331-0204B	28331-0204B
		Neoprene	SK377-0101	SK377-0121
		Nitrile	SK377-0103	
		Viton	SK377-0104	SK377-0124

Models with Neoprene impellers use Nitrile elastomers on seals and O-rings.

Viton is a registered trademark of DuPont Dow Elastomers.

### Other Available Options

Standard head kits, for close coupling to standard IEC motors.

Jabsco



ITT Industries

USA

Jabsco  
20 Icon  
Foothill Ranch  
CA 92610

Tel : +1 949 859 4945  
Fax : +1 949 859 1153

UK

Jabsco  
Bingley Road  
Hoddesdon  
Hertfordshire, EN11 0BU

Tel : +44 (0) 1992 450 145  
Fax : +44 (0) 1992 467 132

GERMANY

Jabsco GmbH  
Oststraße 28  
22844 Norderstedt

Tel : +49 (0) 40 53 53 73 0  
Fax : +49 (0) 40 53 53 73 11