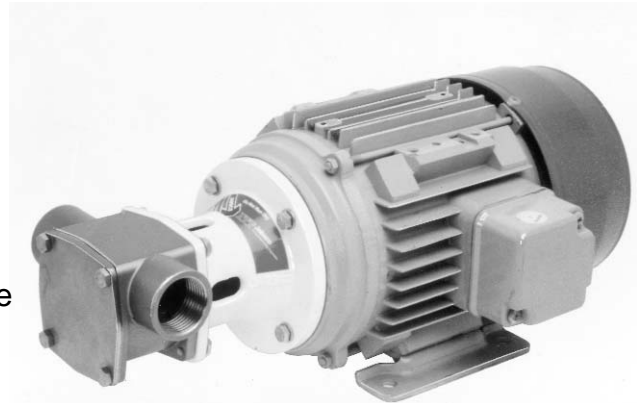


28340 Series Stainless Steel Head Kit Pump

Features

- Self primes from dry up to 5.0 metres
- Flows up to 80 litres per minute
- Pressure up to 2.5 bar†
- Handles hard or soft solids - max. 5mm dia
- Tolerates abrasive wear - replacable wearplate
- Non pulsating flow, proportional to speed
- Handles viscosities up to 4,000 centiPoise
- Minimal shear to thixotropic fluids
- Fits IEC standard motor B3/B14, frame 80



Typical Applications

- Acids and alkalis, compounds, copper sulphate, methyls, alcohols.
- Industrial chemicals, resins, oils, fatty acids, brine.
- Detergents, soaps, hydrogen peroxide.
- Paints, dyes, inks, varnishes, laquers, solvents.
- Transfer, filling, recirculation and agitation, spillage return, spraying, coating, filtration.
- Viscous, shear-sensitive fluids, small hard and soft solids in suspension.

Model Range

Pressure options	Standard - Max 2.5 bar†							
Elastomer option	Neoprene	E.P.D.M.	Nitrile	Viton®				
Temperature range	4°C to 80°C	4°C to 100°C	10°C to 90°C	15°C to 90°C				
Mechanical Seal Options								
Carbon/Ceramic	28340-2101	28340-2102	28340-2103	28340-2104				
Tungsten Carbide/Ceramic hard faced				28340-2204				
Lip seal	28340-2401							
Flushed Mechanical Seal								
Tungsten Carbide/Ceramic hard faced								
Carbon/Ceramic	28340-2901							

For models not listed above, consult distributor or factory

Note : it is not recommended to start the pump at extremes of the temperature range, impeller damage may occur

For Installation, Operating, Maintenance and Safety Instructions refer to form 43001-0543



WARNING Explosion hazard. Do not pump gasoline, solvents, thinners or other flammable liquids. To do so can cause an explosion resulting in injury or death.

Specifications

Seal : Carbon / Ceramic mechanical face seal

Optional:

- Tungsten Carbide / Ceramic hard faced mechanical seal
- Nitrile Lip seal on shaft sleeve
- Carbon / Ceramic flushed seal
- Tungsten Carbide / Ceramic hard faced flushed seal

Seal Elastomers : Nitrile or Viton

Pump Head : Stainless steel 316, as-cast interior and exterior finish

End Cover : Stainless steel 316 grade

Shafts : Stainless steel 316 grade, shaft extension

Bearings : Uses motor bearings

Motor Adaptor : Epoxy coated cast iron

Ports : 1" BSP internal thread to BS21 (DIN2999)

Weight : 3.3kg

† Pressures over 1.7 bar may reduce motor shaft life

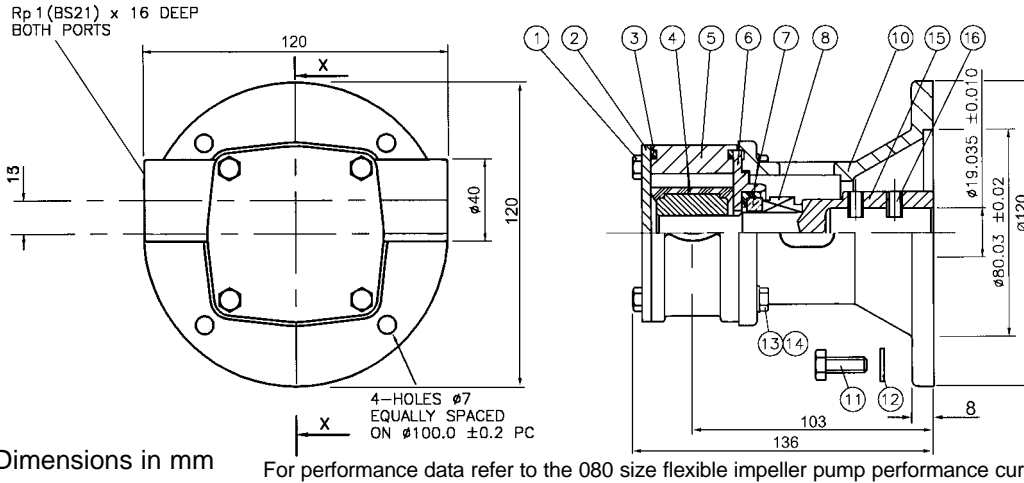
JABSCO®

080 Size Stainless Steel FIP Head Kit Pump

08/05

Fits IEC motor with foot & face to IEC B3/B14 frame size 80

28340 Series



Dimensions in mm

For performance data refer to the 080 size flexible impeller pump performance curves

Lip Seal
Flushed Seal

Parts List

Key	Description	Qty	Part Number
1	Screw	4	X3001-176F
2	Endcover	1	28305-0010
3	O'Ring *	2	See right
4	Impeller*	1	See right
5	Body	1	28334-2000
6	Wearplate	1	28336-0000
7 / 8	Seal Assembly *	1	See right
10	Motor Adaptor	1	28323-0000
11	Screw	4	X3001-180F
12	Washer	4	X3080-091K
13	Screw	4	X3001-180F
14	Washer	4	X3080-091K
15	Shaft Extension	1	28327-0001
16	Set Screw	2	X3009-176A
18	Wearplate	1	28366-0000
19	Lip Seal	1	SP2701-0914
20	O-Ring	1	X4020-217A
21	Seal Spacer	1	28365-0001
22	O-Ring	1	X4020-244A
23	Seal Housing	1	28312-0000
24	Tube	2	21844
25	Seal	1	SP2701-0914

Parts marked * Contained in service kit

Spare Parts & Service Kits

3	O-Ring	Nitrile	X4020-269A
		Viton	X4020-269B
4	Impeller	Neoprene	14282-0001B
		E.P.D.M.	8981-0002B
		Nitrile	14282-0003B
		Viton	14282-0004B
7 / 8	Std Mech. Seals	E.P.D.M.	28331-0102B
		Nitrile	28331-0103B
	Hard Faced	Viton	28331-0104B
		Nitrile	28331-0203B
Service Kit		Viton	28331-0204B
		Neoprene	SK377-0101
		Nitrile	SK377-0103
		Viton	SK377-0104

Models with Neoprene impellers use Nitrile elastomers on seals and O-rings.

Viton is a registered trademark of DuPont Dow Elastomers.

Other Available Options

Pedestal pumps, for coupling to motor, gearbox or pulley.

Jabsco



ITT Industries

USA

Jabsco
20 Icon
Foothill Ranch
CA 92610

Tel : +1 949 859 4945
Fax : +1 949 859 1153

UK

Jabsco
Bingley Road
Hoddesdon
Hertfordshire, EN11 0BU

Tel : +44 (0) 1992 450 145
Fax : +44 (0) 1992 467 132

GERMANY

Jabsco GmbH
Oststraße 28
22844 Norderstedt

Tel : +49 (0) 40 53 53 73 0
Fax : +49 (0) 40 53 53 73 11

Warranty: All products of the company are sold and all services of the company are offered subject to the company's warranty and terms and conditions of sale, copies of which will be furnished upon request.
The information provided herein is for guidance only, it does not constitute a guarantee of the performance or specification of any individual product or component.

©Copyright 2002 ITT Industries

43010-0054