

28520 Series

Hygienic Stainless Steel Head Kit Pump

Features

- Self primes from dry up to 4.5 metres
- Flows up to 365 litres per minute
- Pressure up to 2.5 bar†
- Handles soft solids - max. 16mm diameter
- Certified to US 3A Standard 02-10
- Easy strip clean
- Handles viscosities up to 10,000 centiPoise
- Minimal shear to thixotropic fluids
- Fits IEC standard motor B3/B14, frame 100



Typical Applications

- Foods, sauces, doughs, preserves, liquid egg, meat pastes
- Dairy products, milk, cream, yoghurt, cheeses
- Cosmetics, toothpaste, shampoos, soaps
- Pharmaceutical creams & lotions
- Wines, beers, soft drinks, fruit juices & syrups
- Ingredients unloading and transfer
- Tank filling and emptying
- Recirculation and mixing
- Portion and container filling
- Brine injection
- Sampling, filtration and more

Specifications

Seal : Carbon / Ceramic mechanical face seal
Tungsten Carbide / Ceramic hard faced seal
Flushed options for crystallising fluids

Seal Elastomer : Food grade Nitrile

Pump Head : Stainless steel 316, machined interior and electropolished exterior finish

End Cover : Stainless steel 316 grade

Shaft : Stainless steel 316 grade shaft extension

Bearings : Uses motor bearings

Motor Adaptor : Epoxy coated cast iron

Ports :			
2"	Tri-Clamp	28520-1xxx	
50mm	IDF/ISS	28520-3xxx	
2"	RJT to BS1864	28520-4xxx	
2"	3A Bevel Seat	28520-5xxx	
50mm	DIN 11851	28520-6xxx	
50mm	SMS 1145	28520-7xxx	

Model Range

Weight : 10.0kg

Pressure options	Standard - Max 2.5 bar†		Medium - Max 2.5 bar†	
	3A Neoprene	E.P.D.M.	3A Neoprene	E.P.D.M.
Elastomer option	3A Neoprene	E.P.D.M.	3A Neoprene	E.P.D.M.
Temperature range	4°C to 70°C	4°C to 100°C	4°C to 70°C	4°C to 100°C
Mechanical Seal Options				
Carbon/Ceramic	28520-x105			28520-x112
Tungsten Carbide/Ceramic hard faced				
Flushed Mechanical Seal				
Tungsten Carbide/Ceramic hard faced				
Carbon/Ceramic				
For models not listed above, consult distributor or factory, 'x' Substitute port code from table above				
Note : it is not recommended to start the pump at extremes of the temperature range, impeller damage may occur				
For Installation, Operating, Maintenance and Safety Instructions refer to form 43001-0543				

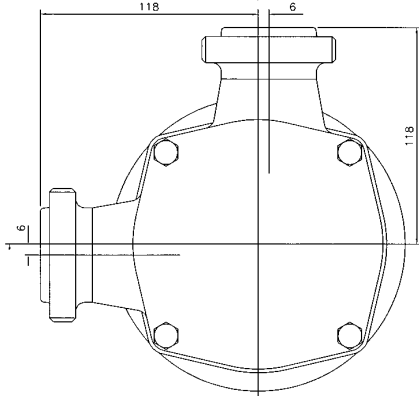


WARNING Explosion hazard. Do not pump gasoline, solvents, thinners or other flammable liquids. To do so can cause an explosion resulting in injury or death.

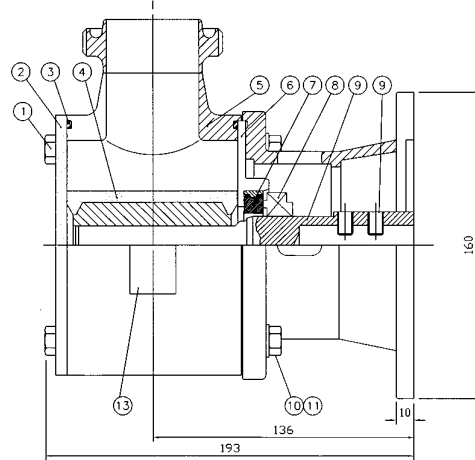
† Pressures over 1.0 bar may reduce motor shaft life

Fits IEC motor with foot & face to IEC B3/B14 frame size 100

28520 Series

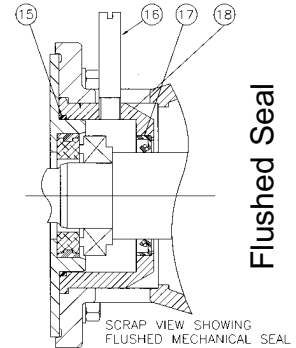


Dimensions in mm



HALF SECTION X - X

For performance data refer to the 370 size flexible impeller pump performance curves



Flushed Seal

SCRAP VIEW SHOWING FLUSHED MECHANICAL SEAL

Parts List

Key	Description	Qty	Part Number
1	Screw	4	X3001-207F
2	Endcover	1	28505-0020
3	O'Ring *	2	See right
4	Impeller*	1	See right
5	Body	1	See right
6	Wearplate	1	28536-0000
7 / 8	Seal Assembly *	1	See right
9	Shaft Extension	1	28527-0001
10	Motor Adaptor	1	28523-0000
11	Screw	4	X3001-209F
12	Washer	4	X3080-101K
13	Screw	4	X3001-211F
14	Washer	4	X3080-101F
15	Set Screw	2	X3009-207A
22	O-Ring	1	X4020-269A
23	Seal Housing	1	28512-0000
24	Tube	2	21844
25	Seal	1	SP2701-0916

Parts marked * Contained in service kit

Spare Parts & Service Kits

Pressure Rating		Standard	Medium
3	O-Ring	Nitrile X4020-424A	X4020-424A
4	Impeller	3A Neoprene	8984-0005B
		E.P.D.M.	8963-0005B
5	Body	Tri-Clamp	28504-1000
		IDF/ISS	28504-3000
		RJT	28504-4000
		Bevel Seat	28504-5000
		DIN	28504-6000
		SMS	28504-7000
7 / 8	Seals	Std Mech.	28531-0103B
		Hard Faced	28531-0203B
Service Kit		3A Neoprene	SK379-0105
		E.P.D.M.	SK379-0115

Models with Neoprene and E.P.D.M. impellers use Nitrile elastomers on seals and O-rings.

NOTE:- Service Kits contain standard mechanical seals. For hard faced seals, order parts separately.

Other Available Options

Pedestal pumps, for higher pressure capability.



Jabsco, 1 Kondelin Road, Cape Ann Industrial Park, Gloucester, MA 01930

Tel : +1 978 281 0440

Fax : +1 978 283 2619

USA

Jabsco, Bingley Road, Hoddesdon, Hertfordshire, EN11 0BU

Tel : +44 (0)1992 450145

Fax : +44 (0)1992 467132

UK

Fluid Products Canada, 55 Royal Road, Guelph, Ontario N1H 1T1

Tel : +1 519 821 1900

Fax : +1 519 821 5316

CANADA

NHK Jabsco Co Ltd, 3-21-10, Shin - Yokohama, Kohoku-ku, Yokohama 222

Tel : +81 (0) 45 475 8906

Fax : +81 (0) 45 475 8908

JAPAN

Jabsco GmbH, Oststraße 28, 22844 Norderstedt

Tel : +49 (0) 40 53 53 73 0

Fax : +49 (0) 40 53 53 73 11

GERMANY

Jabsco Italia, s.r.l., Via Tommaseo, 6, 20059 Vimercate, Milano

Tel : +39 039 685 2323

Fax : +39 039 666 307

ITALY

Warranty: All products of the company are sold and all services of the company are offered subject to the company's warranty and terms and conditions of sale, copies of which will be furnished upon request. The information provided herein is for guidance only, it does not constitute a guarantee of the performance or specification of any individual product or component.

©Copyright 2006 ITT Corporation

43010-0036