

28530 Series Stainless Steel Pedestal Pump

Features

- Self primes from dry up to 4.5 metres
- Flows up to 365 litres per minute
- Pressure up to 3.0 bar
- Handles hard or soft solids - max. 13mm dia
- Tolerates abrasive wear - replacable wearplate
- Non pulsating flow, proportional to speed
- Handles viscosities up to 50,000 centiPoise
- Minimal shear to thixotropic fluids
- Easy to service and maintain



Typical Applications

- Acids and alkalis, compounds, copper sulphate, methyls, alcohols.
- Industrial chemicals, resins, oils, fatty acids, brine.
- Detergents, soaps, hydrogen peroxide.
- Paints, dyes, inks, varnishes, laquers, solvents.
- Transfer, filling, recirculation and agitation, spillage return, spraying, coating, filtration.
- Viscous, shear-sensitive fluids, small hard and soft solids in suspension.

Specifications

Seal : Carbon / Ceramic mechanical face seal

Optional:

- Tungsten Carbide / Ceramic hard faced mechanical seal
- Nitrile Lip seal on shaft sleeve
- Carbon / Ceramic flushed seal
- Tungsten Carbide / Ceramic hard faced flushed seal

Seal Elastomer : Nitrile or Viton

Pump Head : Stainless steel 316, as-cast exterior finish

End Cover : Stainless steel 316 grade

Shaft : Stainless steel 316 grade

Bearings : Greased ball bearings

Bearing Housing : Epoxy coated cast iron

Ports : 2" BSP external thread to BS21 (DIN2999)

Weight : 14.5kg

Model Range


Pressure options	Medium - Max 2.5 bar				High - Max 3.0 bar			
	3A Neoprene	E.P.D.M.	Nitrile	Viton®	3A Neoprene	E.P.D.M.	Nitrile	Viton®
Elastomer option	4°C to 70°C	4°C to 100°C	10°C to 90°C	15°C to 90°C	4°C to 70°C	4°C to 100°C	10°C to 90°C	15°C to 90°C
Temperature range								
Mechanical Seal Options								
Carbon/Ceramic	28530-2115	28530-2112			28530-2125	28530-2122		
Tungsten Carbide/Ceramic hard faced	28530-2215				28530-2225			
Lip seal								
Flushed Mechanical Seal								
Tungsten Carbide/Ceramic hard faced	28530-2715							
Carbon/Ceramic	28530-2915							

For models not listed above, consult distributor or factory


Note : it is not recommended to start the pump at extremes of the temperature range, impeller damage may occur

For Installation, Operating, Maintenance and Safety Instructions refer to form 43001-0543

WARNING Explosion hazard. Do not pump gasoline, solvents, thinners or other flammable liquids. To do so can cause an explosion resulting in injury or death.



WARNING Injury hazard. Exposed pulleys and belts can cause injury. Install shield around pulleys and belts. Stay clear while machinery is operating.

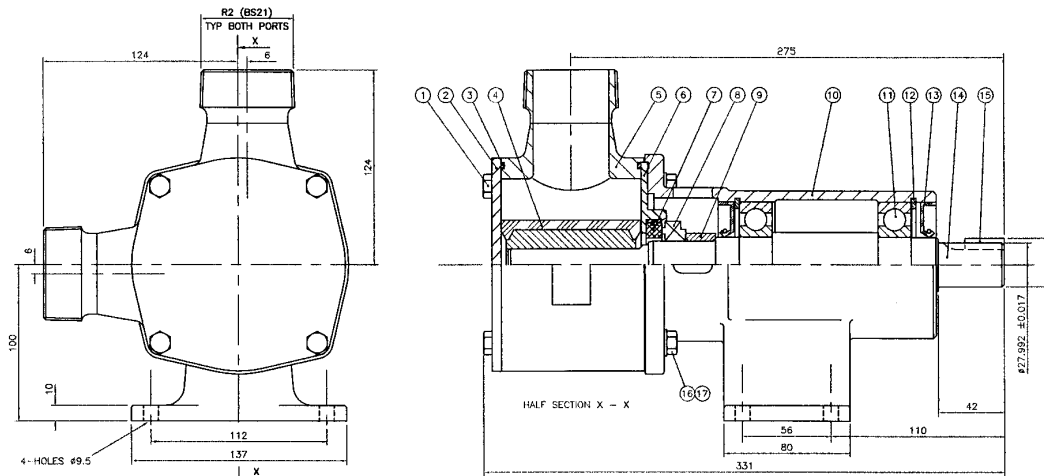


JABSCO®

370 Size Stainless Steel FIP Pedestal Pump

08/05

28530 Series



Dimensions in mm

For performance data refer to the 370 size flexible impeller pump performance curves

Lip Seal
Flushed Seal

Parts List

Key	Description	Qty	Part Number
1	Screw	4	X3001-207F
2	Endcover	1	28505-0010
3	O'Ring *	2	See right
4	Impeller*	1	See right
5	Body	1	28504-2002
6	Wearplate	1	28536-0000
7 / 8	Seal Assembly *	1	See right
9	Seal Spacer	1	28517-0000
10	Bearing Housing	1	28503-0000
11	Bearing	2	SP2601-23
12	Retaining Ring	2	SP1701-437
13	Lip seal (Bearing Housing)	2	SP2701-0912
14	Shaft	1	28507-0000
15	Key	1	X4000-487A
16	Washer	4	X3080-101K
17	Screw	4	X3001-211F
18	Wearplate	1	28566-0000
19	Lip Seal	2	SP2701-0915
20	O-Ring	1	X4020-229A
21	Seal Spacer	1	28565-0011
22	O-Ring	1	X4020-269A
23	Seal Housing	1	28512-0000
24	Tube	2	21844
25	Seal	1	SP2701-0915
26	O-Ring	1	X4020-229A
27	Seal Spacer	1	28517-0001

Parts marked * Contained in service kit

Spare Parts & Service Kits

Pressure Rating		Medium	High
3	O-Ring	Nitrile X4020-424A	X4020-424A
4	Impeller	3A Neoprene	8963-0005
		E.P.D.M.	8963-0002
7 / 8	Std Mech.	Nitrile	28531-0103B
	Hard Faced	Nitrile	28431-0203
Service Kit		Neoprene	SK379-0115
		E.P.D.M.	SK379-0125

Models with Neoprene and E.P.D.M. impellers use Nitrile elastomers on seals and O-rings.

Viton is a registered trademark of DuPont Dow Elastomers.

Other Available Options

Standard head kits, for close coupling to standard IEC motors.

Jabsco



ITT Industries

USA

Jabsco
20 Icon
Foothill Ranch
CA 92610

Tel : +1 949 859 4945
Fax : +1 949 859 1153

UK

Jabsco
Bingley Road
Hoddesdon
Hertfordshire, EN11 0BU

Tel : +44 (0) 1992 450 145
Fax : +44 (0) 1992 467 132

GERMANY

Jabsco GmbH
Oststraße 28
22844 Norderstedt

Tel : +49 (0) 40 53 53 73 0
Fax : +49 (0) 40 53 53 73 11

Warranty: All products of the company are sold and all services of the company are offered subject to the company's warranty and terms and conditions of sale, copies of which will be furnished upon request.
The information provided herein is for guidance only, it does not constitute a guarantee of the performance or specification of any individual product or component.
©Copyright 2002 ITT Industries.

43010-0046