

28540 Series Stainless Steel Head Kit Pump

Features

- Self primes from dry up to 4.5 metres
- Flows up to 365 litres per minute
- Pressure up to 2.5 bar†
- Handles hard or soft solids - max. 13mm dia
- Tolerates abrasive wear - replacable wearplate
- Non pulsating flow, proportional to speed
- Handles viscosities up to 4,000 centiPoise
- Minimal shear to thixotropic fluids
- Fits IEC standard motor B3/B14, frame 100



Typical Applications

- Acids and alkalis, compounds, copper sulphate, methyls, alcohols.
- Industrial chemicals, resins, oils, fatty acids, brine.
- Detergents, soaps, hydrogen peroxide.
- Paints, dyes, inks, varnishes, laquers, solvents.
- Transfer, filling, recirculation and agitation, spillage return, spraying, coating, filtration.
- Viscous, shear-sensitive fluids, small hard and soft solids in suspension.

Specifications

Seal : Carbon / Ceramic mechanical face seal

Optional:

- Tungsten Carbide / Ceramic hard faced mechanical seal
- Nitrile Lip seal on shaft sleeve
- Carbon / Ceramic flushed seal
- Tungsten Carbide / Ceramic hard faced flushed seal

Seal Elastomers : Nitrile or Viton

Pump Head : Stainless steel 316, as-cast interior and exterior finish

End Cover : Stainless steel 316 grade

Shafts : Stainless steel 316 grade, shaft extension

Bearings : Uses motor bearings

Motor Adaptor : Epoxy coated cast iron

Ports : 2" BSP external thread to BS21 (DIN2999)

Weight : 9.7kg

Model Range


Pressure options	Standard - Max 2.5 bar†			Medium - Max 2.5 bar†		
Elastomer option	Neoprene			3A Neoprene	E.P.D.M.	
Temperature range	4°C to 80°C			4°C to 70°C	4°C to 100°C	
Mechanical Seal Options						
Carbon/Ceramic	28540-2101				28540-2112	
Tungsten Carbide/Ceramic hard faced						
Lip seal						
Flushed Mechanical Seal						
Tungsten Carbide/Ceramic hard faced						
Carbon/Ceramic	28540-2901					

For models not listed above, consult distributor or factory

Note : it is not recommended to start the pump at extremes of the temperature range, impeller damage may occur

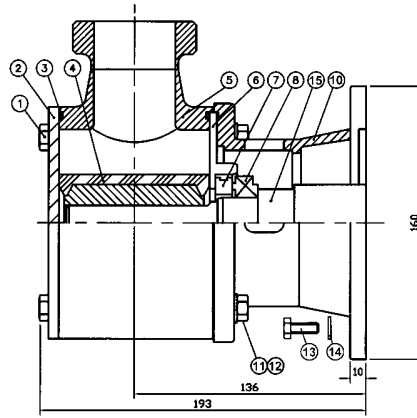
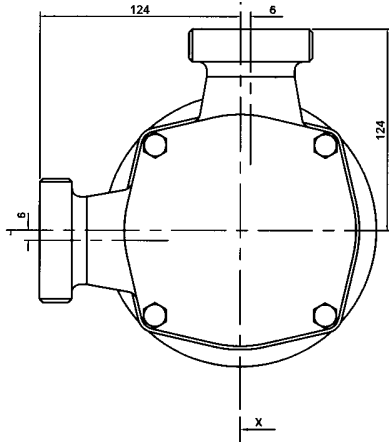
For Installation, Operating, Maintenance and Safety Instructions refer to form 43001-0543

⚠ WARNING Explosion hazard. Do not pump gasoline, solvents, thinners or other flammable liquids. To do so can cause an explosion resulting in injury or death.



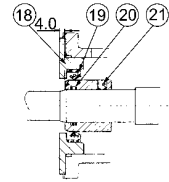
† Pressures over 1.0 bar may reduce motor shaft life

Fits IEC motor with foot & face to IEC B3/B14 frame size 100

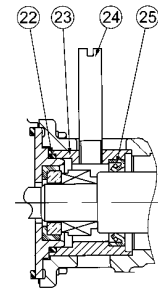


HALF SECTION x - x

28540 Series



Lip Seal



Flushed Seal

Dimensions in mm

For performance data refer to the 370 size flexible impeller pump performance curves

Parts List

Key	Description	Qty	Part Number
1	Screw	4	X3001-207F
2	Endcover	1	28505-0010
3	O'Ring *	2	See right
4	Impeller*	1	See right
5	Body	1	28504-2002
6	Wearplate	1	28536-0000
7 / 8	Seal Assembly *	1	See right
10	Motor Adaptor	1	28523-0000
11	Screw	4	X3001-209F
12	Washer	4	X3080-101K
13	Screw	4	X3001-209F
14	Washer	4	X3080-101K
15	Shaft Extension	1	28527-0001
16	Set Screw	2	X3009-203A
18	Wearplate	1	28566-0000
19	Lip Seal	1	SP2701-0915
20	O-Ring	1	X4020-229A
21	Seal Spacer	1	28565-0011
22	O-Ring	1	X4020-269A
23	Seal Housing	1	28512-0000
24	Tube	2	21844
25	Seal	1	SP2701-0915

Parts marked * Contained in service kit

Spare Parts & Service Kits

3	O-Ring	Nitrile	X4020-424A
		Viton	
4	Impeller	Neoprene	18786-0001
		E.P.D.M.	8963-0002
		3A Neoprene	8963-0005
7 / 8	Std Mech. Seals	Nitrile	28531-0103B
	Hard Faced	Nitrile	28531-0203B
Service Kit		Neoprene	
		E.P.D.M.	

Models with Neoprene and E.P.D.M. impellers use Nitrile elastomers on seals and O-rings.

Viton is a registered trademark of DuPont Dow Elastomers.

Other Available Options

Pedestal pumps, for coupling to motor, gearbox or pulley.

Jabsco



ITT Industries

USA

Jabsco
20 Icon
Foothill Ranch
CA 92610

Tel : +1 949 859 4945
Fax : +1 949 859 1153

TECHNIQUES DES FLUIDES

7 rue de la Fosse aux Loups

95100 ARGENTEUIL

Tél. : 01 34 11 13 73 / Fax : 01 34 11 96 35

www.techniquesfluides.fr