

## 28630 Series Stainless Steel Pedestal Pump

### Features

- Self primes from dry up to 5.0 metres
- Flows up to 520 litres per minute
- Pressure up to 5.0 bar
- Handles hard or soft solids - max. 14mm dia
- Tolerates abrasive wear - replacable wearplate
- Non pulsating flow, proportional to speed
- Handles viscosities up to 50,000 centiPoise
- Minimal shear to thixotropic fluids
- Easy to service and maintain



### Typical Applications

- Acids and alkalis, compounds, copper sulphate, methyls, alcohols.
- Industrial chemicals, resins, oils, fatty acids, brine.
- Detergents, soaps, hydrogen peroxide.
- Paints, dyes, inks, varnishes, laquers, solvents.
- Transfer, filling, recirculation and agitation, spillage return, spraying, coating, filtration.
- Viscous, shear-sensitive fluids, small hard and soft solids in suspension.

### Specifications

**Seal** : Carbon / Ceramic mechanical face seal

**Optional:**

- Nitrile Lip seal on shaft sleeve

**Seal Elastomer** : Nitrile

**Pump Head** : Stainless steel 316, as-cast interior and exterior finish

**End Cover** : Stainless steel 316 grade

**Shaft** : Stainless steel 316 grade

**Bearings** : Greased ball bearings

**Bearing Housing** : Epoxy coated cast iron

**Ports** : 3" BSP external thread to BS21 (DIN2999)

**Weight** : 18kg

### Model Range


Impeller options	Standard Pressure - Max. 2.0 bar		High Pressure - Max. 5.0 bar	
<b>Elastomer option</b>	3A Neoprene		3A Neoprene	
<b>Temperature range</b>	4°C to 70°C		4°C to 70°C	
<b>Mechanical Seal Option</b>				
Carbon/Ceramic			28630-2125	
<b>Lip seal</b>			28630-2425	

**For models not listed above, consult distributor or factory**


**Note : it is not recommended to start the pump at extremes of the temperature range, impeller damage may occur**

**For Installation, Operating, Maintenance and Safety Instructions refer to form 43001-0543**

**⚠ WARNING** Explosion hazard. Do not pump gasoline, solvents, thinners or other flammable liquids. To do so can cause an explosion resulting in injury or death.

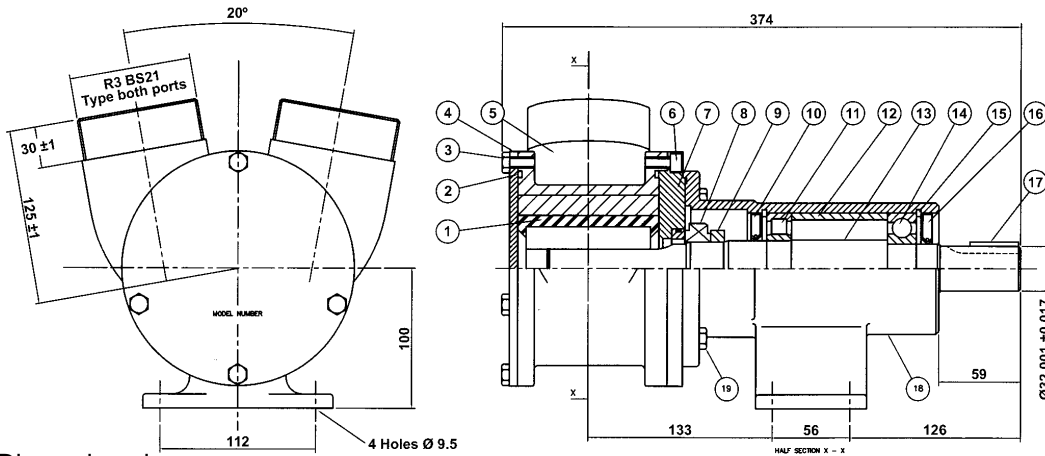


**⚠ WARNING** Injury hazard. Exposed pulleys and belts can cause injury. Install shield around pulleys and belts. Stay clear while machinery is operating.



**JABSCO**

# 500 Size Stainless Steel FIP Pedestal Pump

**08/05****28630 Series**

Dimensions in mm

For performance data refer to the 500 size flexible impeller pump performance curves

Lip Seal

## Parts List

Key	Description	Qty	Part Number
1	Impeller* (Std Pressure)	1	8500-0005
	(High Pressure)	1	21899-0005B
2	O'Ring *	2	X2000-1213
3	Screw (Endcover)	4	X3001-209F
4	Endcover	1	23975-0000
5	Body	1	23974-2000
6	Screw (Wearplate)	4	X3007-209F
7	Wearplate	1	28635-0000
8	Seal Assembly *	1	22644-6000
9	Seal Spacer	1	28638-0000
10	Seal (Inbound)	1	SP2701-0912
11	Bearing (Front)	2	SP2601-23
12	Bearing Spacer	1	28643-0000
13	Shaft	1	28607-0000
14	Bearing (Rear)	2	SP2601-0460
15	Retaining Ring	2	SP1701-437
16	Seal (Outbound)	1	SP2701-0930
17	Key	1	X4000-487A
16	Washer	4	X3080-101F
18	Bearing Housing	1	28503-0000
19	Screw (Bearing Housing)	4	X3001-209F
	Washer (Bearing Housing)	4	X3080-101F
20	Wearplate	1	28666-0000
21	Lip Seal	2	SP2701-0915
22	O-Ring	1	X4020-237A
23	Seal Sleeve	1	28665-0011
24	Screw (Seal Sleeve)	2	X3009-092F

Parts marked \* Contained in service kit

## Spare Parts & Service Kits

Service Kit for Neoprene High pressure impeller only : SK315

Models with Neoprene impellers use Nitrile elastomers on seals and O-rings.

## Other Available Options

Standard head kits, for close coupling to standard IEC motors.

**Jabsco****ITT Industries****USA**

**Jabsco**  
20 Icon  
Foothill Ranch  
CA 92610

Tel : +1 949 859 4945  
Fax : +1 949 859 1153

**UK**

**Jabsco**  
Bingley Road  
Hoddesdon  
Hertfordshire, EN11 0BU

Tel : +44 (0) 1992 450 145  
Fax : +44 (0) 1992 467 132

**GERMANY**

**Jabsco GmbH**  
Oststraße 28  
22844 Norderstedt

Tel : +49 (0) 40 53 53 73 0  
Fax : +49 (0) 40 53 53 73 11

Warranty: All products of the company are sold and all services of the company are offered subject to the company's warranty and terms and conditions of sale, copies of which will be furnished upon request.  
The information provided herein is for guidance only, it does not constitute a guarantee of the performance or specification of any individual product or component.

©Copyright 2002 ITT Industries.

43010-0047