

50005 Series

Bronze Flexible Impeller Pump

Features

- Self primes from dry up to 1.5 metres
- Flows up to 4.5 litres per minute
- Pressure up to 2 bar
- Handles hard or soft solids
- Tolerates abrasive wear
- Non pulsating flow
- Handles viscosities up to 500 centiPoise
- Uses standard IEC motor



Typical Applications

- **Industrial** : Industrial filling systems, utility shop pump, transfer systems, recharge water softeners, sump emptying, cooling tower circulation, line cleaning, heat exchangers, air scrubbers, laboratory circulation, oil changing.
- **Plumbing** : Empty clogged drains, sumps, sinks & tubs, pump out water closets.
- **Contractors** : Cement mixing, wash down equipment, fill & empty tanks, empty basements.
- **Agricultural** : Fill water tanks, flush animal pens, plumbing water for livestock.
- **Food, Beverage & Dairy** : Vending Machines, refrigeration condensate pump out, wash down equipment & floor cleaning.

Specifications

- Seal** : Nitrile lip seal
- Pump Head** : Bronze
- End Cover** : Brass
- Bearings** : Uses motor bearings
- Shafts** : Stainless steel shaft extension
- Ports** : 12.5mm (½") Bore hose connections
- Motor Adaptor** : Polypropylene
- Weight** : 6.2kg

Model Options


Impeller Option				Neoprene	Nitrile
Temperature				4°C to 80°C	0°C to 90°C
Poles	Volts	Amps	RPM		
4	230	2.13	1450	50005-8411	50005-8413
Pump head only				50005-00-8411	50005-00-8413


Motors are single phase, 180 Watts, 50 Hertz, AC. Face & Foot mounting B3-B14

Enclosure IP55, frame size 63 all IEC 72 standard. Fitted with manual reset overload.

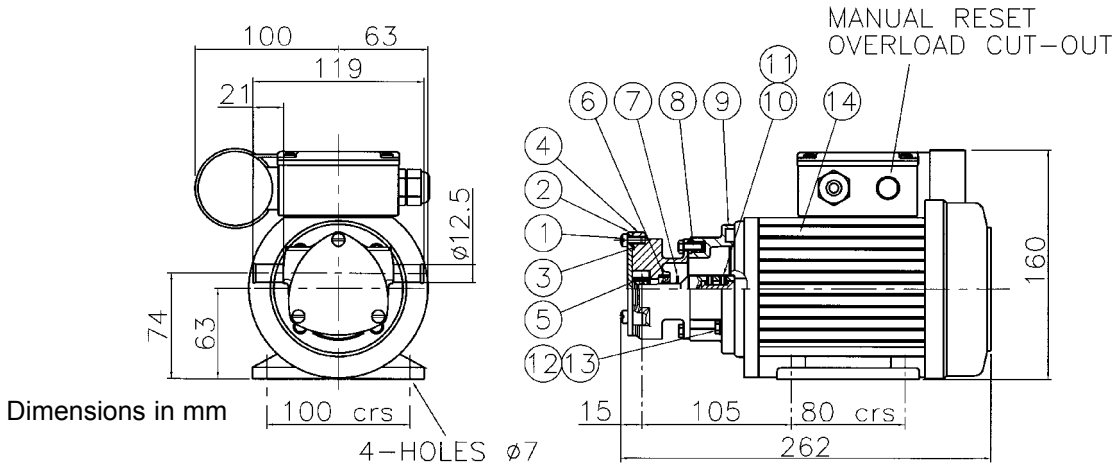
Note: It is not recommended to start the pump at extreme ends of the temperature range, impeller damage may occur.

For installation, operating, maintenance and safety instructions refer to form 43001-0543

 **WARNING** Explosion hazard. Do not pump gasoline, solvents, thinners or other flammable liquids. To do so can cause an explosion resulting in injury or death.

 **WARNING** Fire hazard. Wiring must comply with applicable electrical standards and include a properly sized fuse or circuit breaker. Improper wiring can cause a fire resulting in injury or death

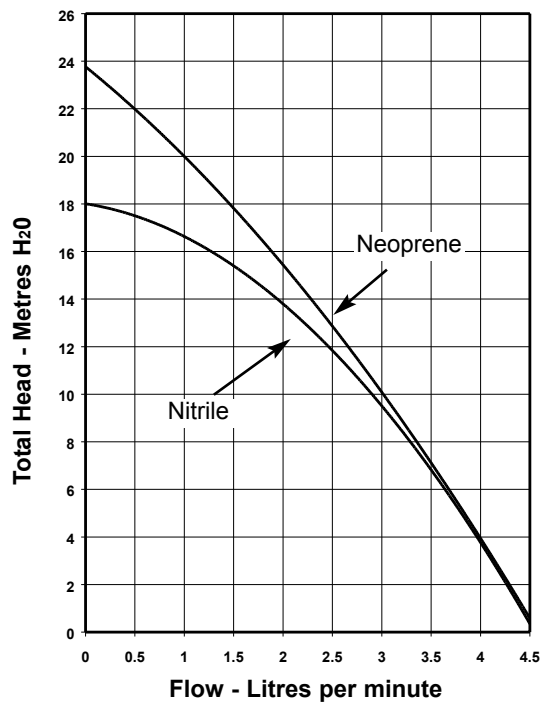
50005 Series



Parts List

Key	Description	Qty	Part Number
1	Screw*	3	SP1004-09
2	Endcover	1	9328-0200
3	O-Ring*	1	X5251-049
4	Body	1	23154-2000
5	Impeller Neoprene*	1	1414-0001
	Impeller Nitrile*	1	1414-0003
6	Lip Seal*	1	SP2702-52
7	Slinger	1	6342
8	Screw - M5 x 8	2	X3001-147F
9	Adaptor	1	50168-0000
10/11	Shaft Extension Kit	1	50167-0000
12	Screw - M5 x 16	4	X3001-153F
13	Washer	4	X3080-081F
14	Motor 4 Pole 230V	1	SP8021-0260
Parts marked * contained in service kit			
Service Kit	Neoprene	1	SK374-0001
	Nitrile	1	SK374-0203

Performance



Note : Performance shown is for a new pump, pumping water at 20°C, performance may vary by up to 15%. Consult factory for performance of alternative impeller compounds.

Jabsco



ITT Industries

USA

Jabsco
20 Icon
Foothill Ranch
CA 92610

Tel : +1 949 859 4945
Fax : +1 949 859 1153

UK

Jabsco
Bingley Road
Hoddesdon
Hertfordshire, EN11 0BU

Tel : +44 (0) 1992 450 145
Fax : +44 (0) 1992 467 132

GERMANY

Jabsco GmbH
Oststraße 28
22844 Norderstedt

Tel : +49 (0) 40 53 53 73 0
Fax : +49 (0) 40 53 53 73 11