

51020 Plastic Bodied Flexible Impeller Pump

FEATURES

- Self prime from dry up to 2 metres
- Flows up to 18 Litres per minute
- Pressure up to 1.7 bar
- Will handle hard or soft solids
- Will tolerate abrasive wear
- Non pulsating flow
- Will handle viscosities up to 500 cps
- Uses standard IEC motor

TYPICAL APPLICATIONS

INDUSTRIAL: Industrial Filling Systems, Utility Shop Pump, Sump Emptying, Cooling tower Circulation, Line Cleaning, Heat Exchangers, Air Scrubbers, Processing Systems Laboratory Circulation, Chemical Transfer.

FOOD BEVERAGE & DAIRY: Vending Machines, Refrigeration Condensate Pump Out, Wash Down equipment & Floor Cleaning.

SPECIFICATIONS

Impeller Options :

Neoprene	Temperature Range 4 to 80° C - For Water based liquids.
Nitrile	Temperature Range 10 to 90° C.
Viton®	Temperature Range 15 to 90° C.

Note it is not recommended to start the pump at extreme ends of the temperature range, impeller damage may occur.

Seal: Nitrile lip seal. Option Seal made of Viton®.

Pump Head : Plastic.

Shaft: Stainless Steel

Ports: 16mm Hose connections.

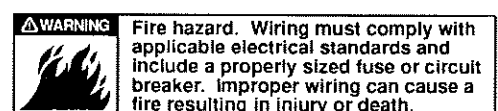
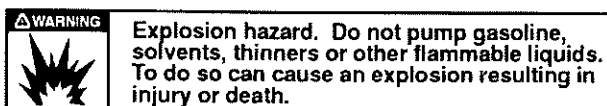
Motor: 180 watts / 230V / 50 Hz / 4 pole / IEC 72 B3 / B14 63 Frame, Enclosure to IP 55, Manual reset Thermal Overload, Cap start & run, Full load current 2 Amps

Weight: 6.2 Kg.

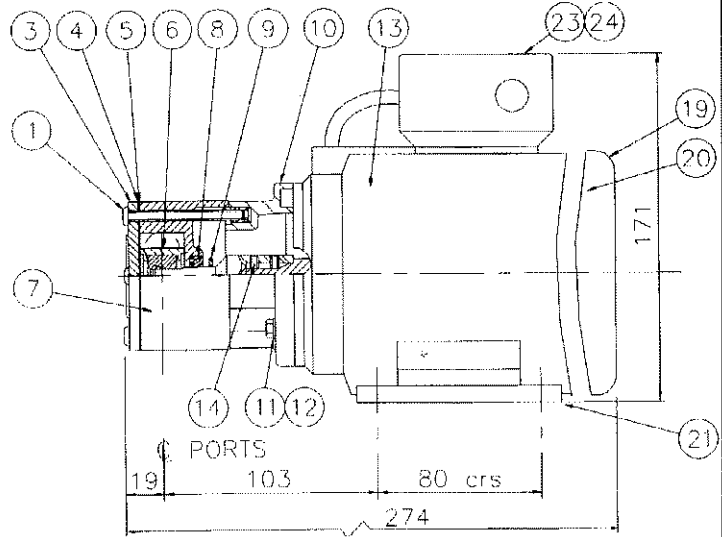
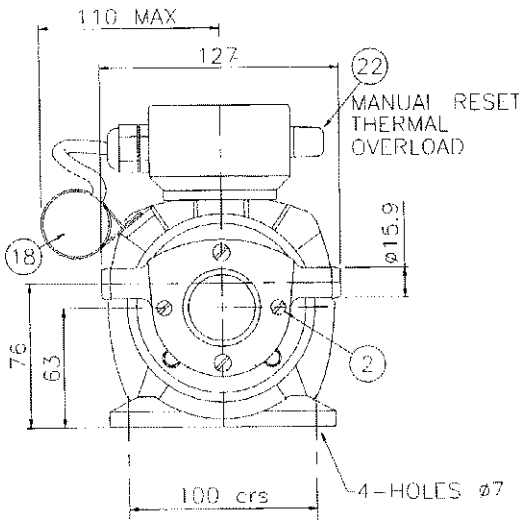
MODEL RANGE

Model No.	Impeller
51020 - 8411 - Motor Pump Unit	Medium Pressure Neoprene
51021 - 8411 - Head Kit [without motor]	Medium Pressure Neoprene
Alternative Elastomers	Part No.
Nitrile Impeller	7273 - 0013B
Impeller made of Viton®	7274 - 0014B
Seal made of Viton®	SP 2701 - 0870

Viton is a registered trademark of DuPont Dow Elastomers



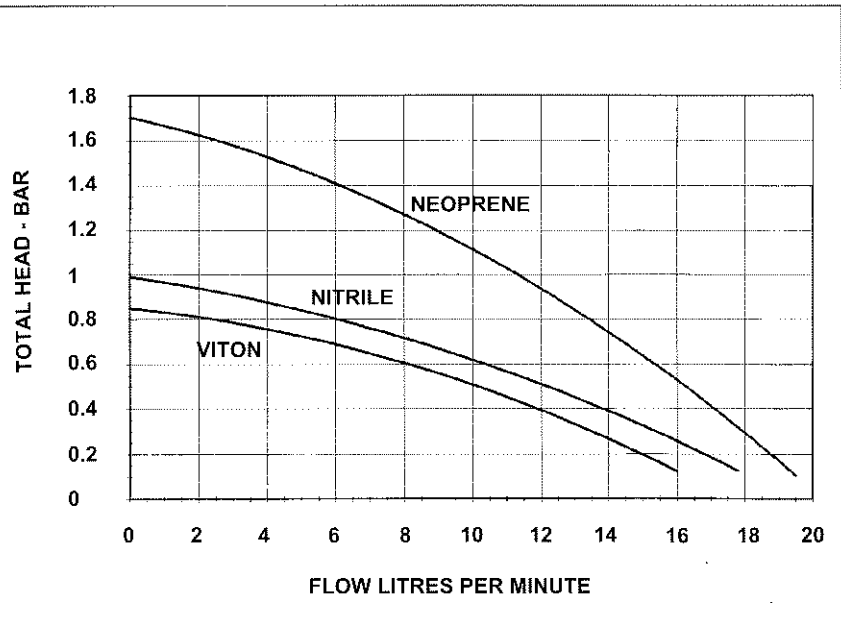
INSTALLATION / CROSS SECTION



PARTS LIST

Key	Description	Qty	Part No.
1	Screw	2	91014 - 0010
2	Screw	2	91014 - 0020
3	Endcover	1	12555 - 0000
4	Wearplate	1	12557 - 0000
5	Gasket	1	12558 - 0000
6	Impeller [Neoprene]	1	7273 - 0001
7	Body	1	12554 - 0000
8	Lip Seal	1	SP2701 - 52
9	Slinger	1	6342
10	Adaptor	1	50168 - 0000
11	Screw - M5 x 16	4	X3001 - 153F
12	Washer	4	X3080 - 081F
13	Motor	1	SP8012 - 0260
14	Shaft Extension - Kit	1	50167 - 0000
Motor Spares			
18	Capacitor	1	X5501 - 033
19	Fan Cowl	1	X5501 - 034
20	Fan	1	X5501 - 035
21	Foot	1	X5501 - 036
22	Thermal OL. Switch	1	X5501 - 037
23	Terminal Box	1	X5501 - 038
24	Screw - Term. Box	4	X5501 - 039

PERFORMANCE



Service Kits:-

Contain Key Numbers 1, 5, 6, 8

Part No. SK 126 - 0411, Neoprene Impeller, Nitrile Seal.

SK 126 - 0413, Nitrile Impeller, Nitrile Seal.

SK 126 - 0414, Impeller and Seal made of Viton®.

For Installation, Operating, Maintenance and Safety Instructions refer to form SD935

ITT Jabscos

USA

ITT Jabscos
1485 Dale Way, Costa Mesa,
CA 92628-3998, U.S.A.
Tel: +1-714 545 8251
Fax: +1-714 957 0609

UK

ITT Jabscos
Bingley Road, Hoddesdon,
Hertfordshire, EN11 0BU, UK.
Tel: +44-(0)1992 450145
Fax: +44-(0)1992 467132

TECHNIQUES DES FLUIDES

7 rue de la Fosse aux Loups

95100 ARGENTEUIL

Tél. : 01 34 11 13 73 / Fax : 01 34 11 96 35

www.techniquesfluides.fr

GERMANY

MINTEC GmbH
Oststrasse 28
22844 Norderstedt, Germany.
Tel: +49 (0)40 53 53 73 0
Fax: +49 (0)40 53 53 73 11