

General

The main task of injection fittings in metering pumps for liquid chemicals is to mix in the corresponding chemical into the main flow (in most cases water). At the same time most injection fittings avoid a backflow to the metering pump due to their backpressure function.

The **tubing injection fitting S** meets this demand in an extremely compact design. The preloaded tubing provides for ultra-fine spraying of the chemical during the metering stroke.

When lyes with a high carbonate hardness are metered into water flows calcium carbonate is inevitably precipitated at the mixing fitting. Quite often the crystals adhere to the injection fitting and clog it up resulting automatically in a metering failure. Therefore the **extractable tubing injection fitting S** allows a dismantling of the injection tube under system pressure. Checking and cleaning of the injection fitting is possible during daily operation.

A special type of injection fitting is the **self-cleaning injection fitting SKD**. The injection tubing leading the main flow moves permanently thus making it difficult for crystals to accumulate. Nevertheless, should the tubing clog up, the metering pump pressure will cause it to widen and the crystals will be eliminated.

Mixing of the chemical and the main water flow occurs at the open end of the tubing. The



backpressure function - being at quite a distance - consequently will not be affected by possible carbonate precipitation.

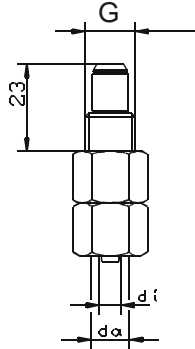
Technical data

	Type S		Type S extractable	Type SKD
Opening pressure [bar]	1.1		1.1	0.1
Nominal width	DN4		DN4	DN4
Max. flow rate for uniform flow*	70 l/h		70 l/h	70 l/h
suitable for main tubes	from DN32 up		DN100-400	from DN32 up
Process connection	G 1/4	G 1/2	G 1/2	G 1/2
Metering connection	4/6, 6/8, 6/12	see MB 1 23 01/4	4/6, 6/8, 6/12	see MB 1 23 01/4
Materials	PVC/Viton Ms/Viton 1.4571	PVC/Viton 1.4571/Viton	PVC/Viton	PVC/Viton PVC/Hypalon

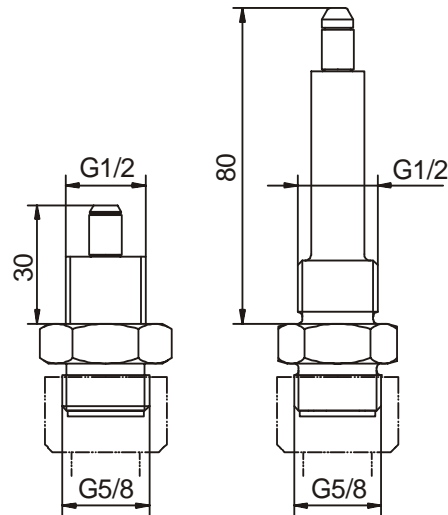
Other connections and materials upon request.
 (The injection tubing is also available in Hypalon.)

* Flow values for uniform flow. Without pulsation dampers the max. flow rate for motor pumps amounts to 1/3 and for solenoid pumps to 1/5 of the indicated value.

Type S
(with integrated connection)



Type S
(with separate connection)



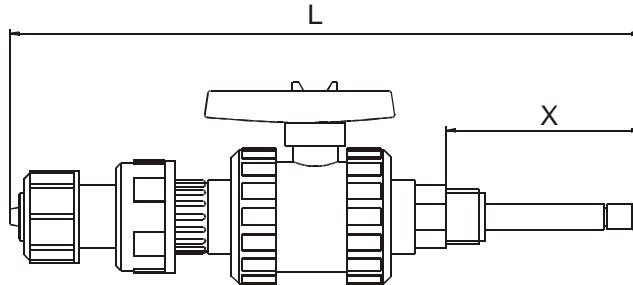
Housing/ tubing material	Tubing connection di/da	Article number	
		G 1/4	G 1/2
Ms/Viton	4/6	12326321	-
	6/8	12326322	-
	6/12	12321985	-
PVC/Viton	4/6	12327059	12332557
	6/8	12327060	-
	6/12	12327061	12328494
1.4571/Viton	4/6	12327062	-
	6/8	12327063	-
	6/12	12327064	-

Opening pressure 1.1bar corresponding to German test regulation DVGW-W504.

Housing/ tubing material	Article no.	
	G 1/2	
	L=30mm	L=80mm
PVC/Viton	12328489	12334373
1.4571/Viton	12328490	-

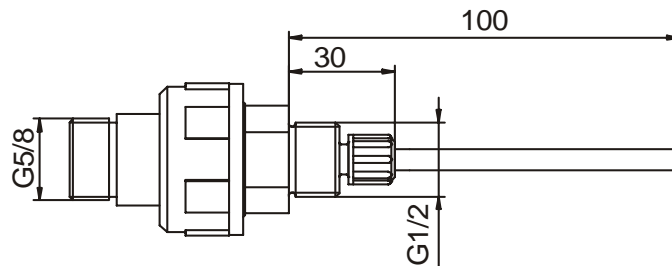
For connections, cf. connection table MB 1 23 01 / 4

Type S extractable



Housing / tubing material	Tubing connection di/da	Length of injection tube X [mm]	for tube	Total length L [mm]	Articel No.
PVC/Viton	6/12	75	DN100	241	12335510
	4/6	75	DN100	252	12301005
	6/8	75	DN100	252	12301006
	6/12	100	DN125-150	266	12301001
	6/12	150	DN200-350	316	12301002
	6/12	175	DN300	341	12301003
	6/12	200	DN350-400	377	12301004

Type SKD self-cleaning



Housing / tubing material	Thread connection	Length of injection tubing	Article No.
PVC/Viton	G5/8	100	12335495
PVC/EPDM	G5/8	100	12335496

For connections, cf. connection table MB 1 23 01 / 4