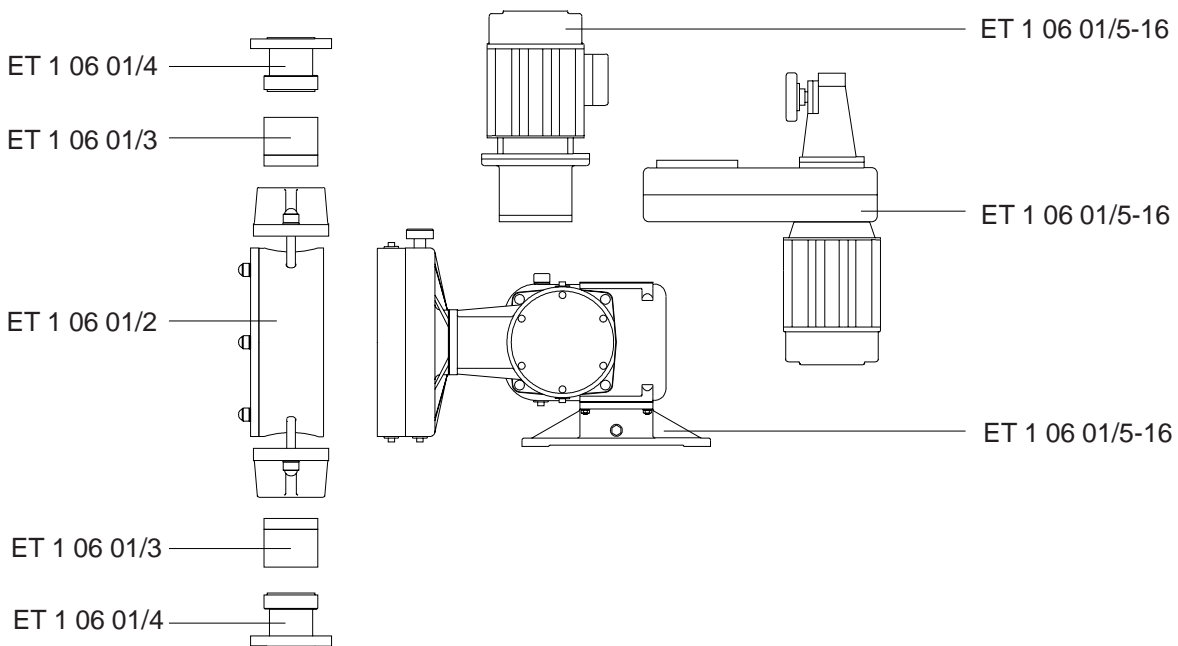


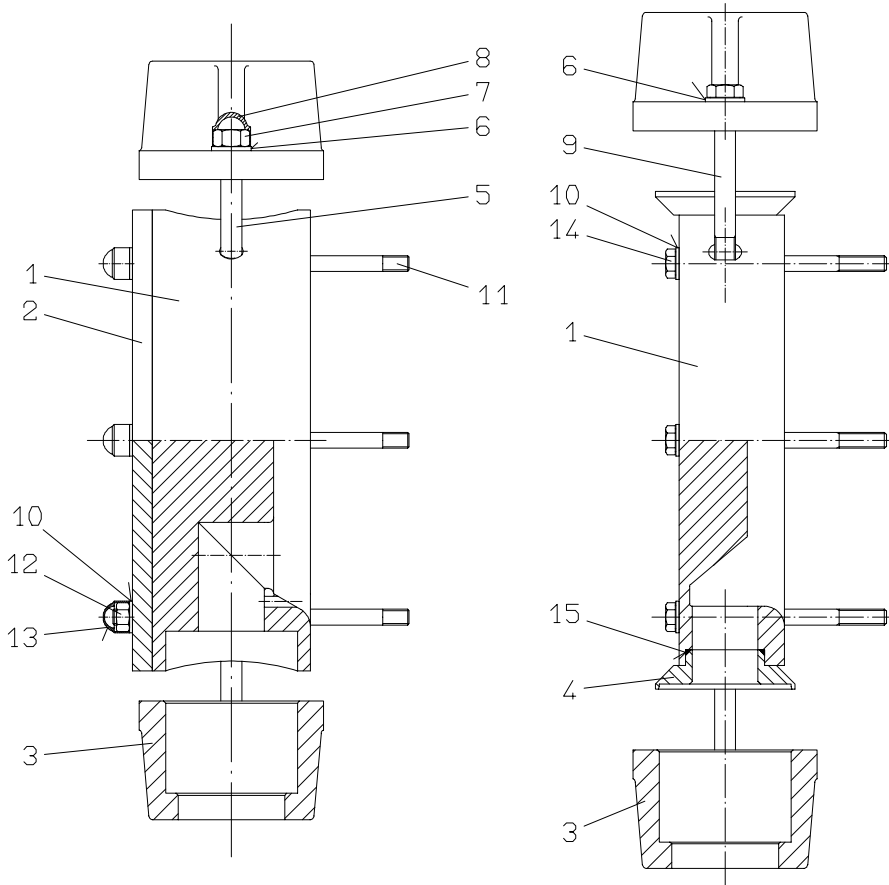
View of key subcomponents



Spare parts kits

Consisting of:	Type	Head/ diaphragm/ seal material	Part No.
Diaphragm, PTFE	GMR 2000	PP / PTFE / Hypalon	32338
Rear diaphragm		PP / PTFE / Viton	33657
Shaft seal		1.4571 / PTFE / Hypalon	32339
O - rings		1.4571 / PTFE / Viton	33658
Gaskets	GMR 3000 and GMR 4000	PP / PTFE / Hypalon	32327
Valve seats		1.4571 / PTFE / Hypalon	32340
Valve balls			
Return springs			

Metering heads



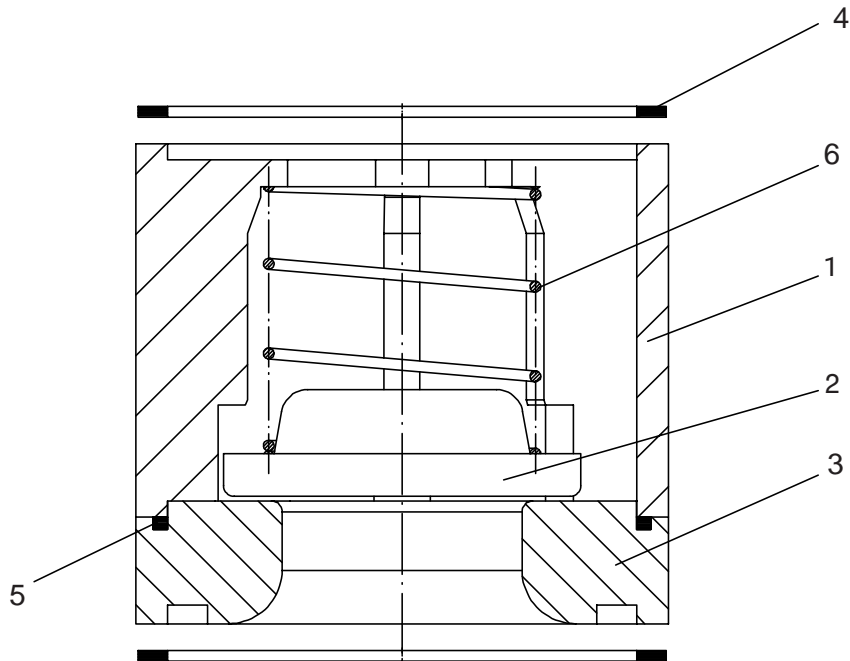
Plastic design

Stainless steel design

Item	Qty	Description	Material	Metering head for:			
				GMR 2000		GMR 3000/4000	
				Plastic	Steel	Plastic	Steel
1	1	Diaphragm housing	PP	32137	-	21539	-
			1.4571	-	32139	-	32203
2	1	Pressure plate	St 37	21471	-	21525	-
3	2	Valve cap	GG	21528	21528	21528	21528
4	2	Valve flange	1.4571	-	32160	-	32160
5	2	Stud	1.4571	32166	-	25229	-
6	4	Washer	A2	84166	84166	84166	84166
7	4	Hexagonal nut	A2	83618	-	83618	-
8	4	Protective cover	PE	83723	-	83723	-
9	4	Hexagonal screw	A2	-	83721	-	83721
10	6	Washer	A2	84136	84136	84136	84136
11	6	Stud	1.4571	21538	-	21538	-
12	6	Hexagonal nut	A2	83128	-	83128	-
13	6	Protective cap	PE	83508	-	83508	-
14	6	Hexagonal screw	A2	-	83722	-	83722
15	2	O - ring	Viton	-	80090	-	80090
Complete metering head assembly				32138	32157	32188	32204

Spring-loaded valves

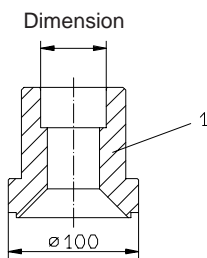
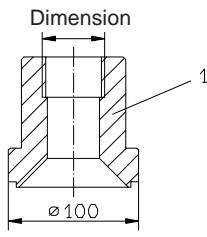
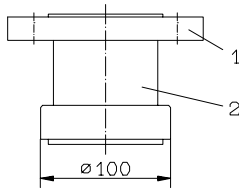
MEMDOS GMR



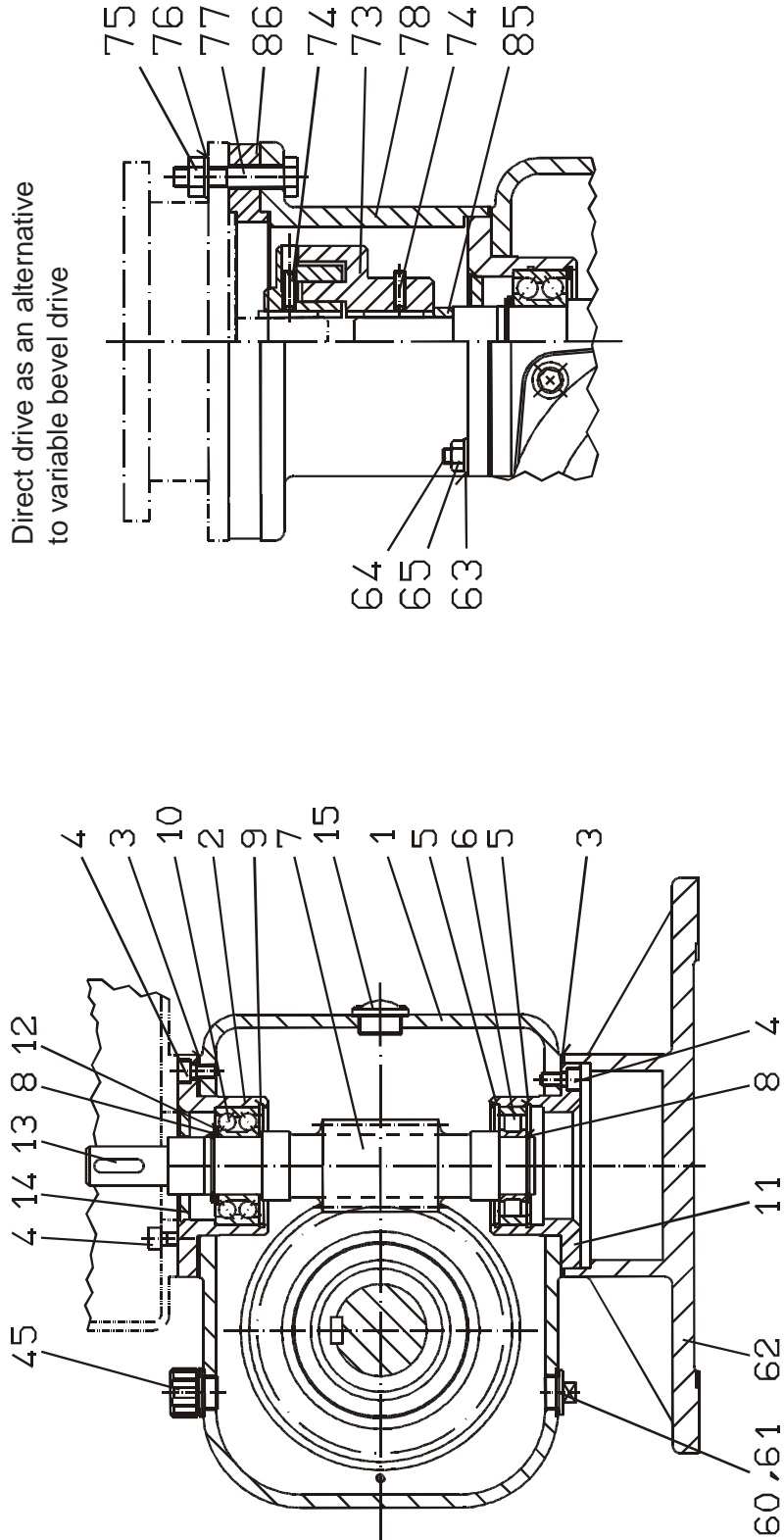
Item	Description	Material	Part No.	Suction and discharge valve			
				PP		1.4571	
				Hypalon	Viton	Hypalon	Viton
1	Valve guide	PP	34376	1	1	-	-
		1.4571	34379	-	-	1	1
2	Valve-spring retainer	PVDF	34377	1	1	-	-
		1.4571	34380	-	-	1	1
3	Flat valve seat	PP	34378	1	1	-	-
		1.4571	34381	-	-	1	1
4	Gasket	Hypalon	81411	2	-	2	-
		Viton	81412	-	2	-	2
5	O-ring	EPDM	80625	1	-	1	-
		Viton	80624	-	1	-	1
6	Valve spring	Hastelloy	25221	1	1	1	1
Complete valve assembly				24072	24073	24071	29961

Connections

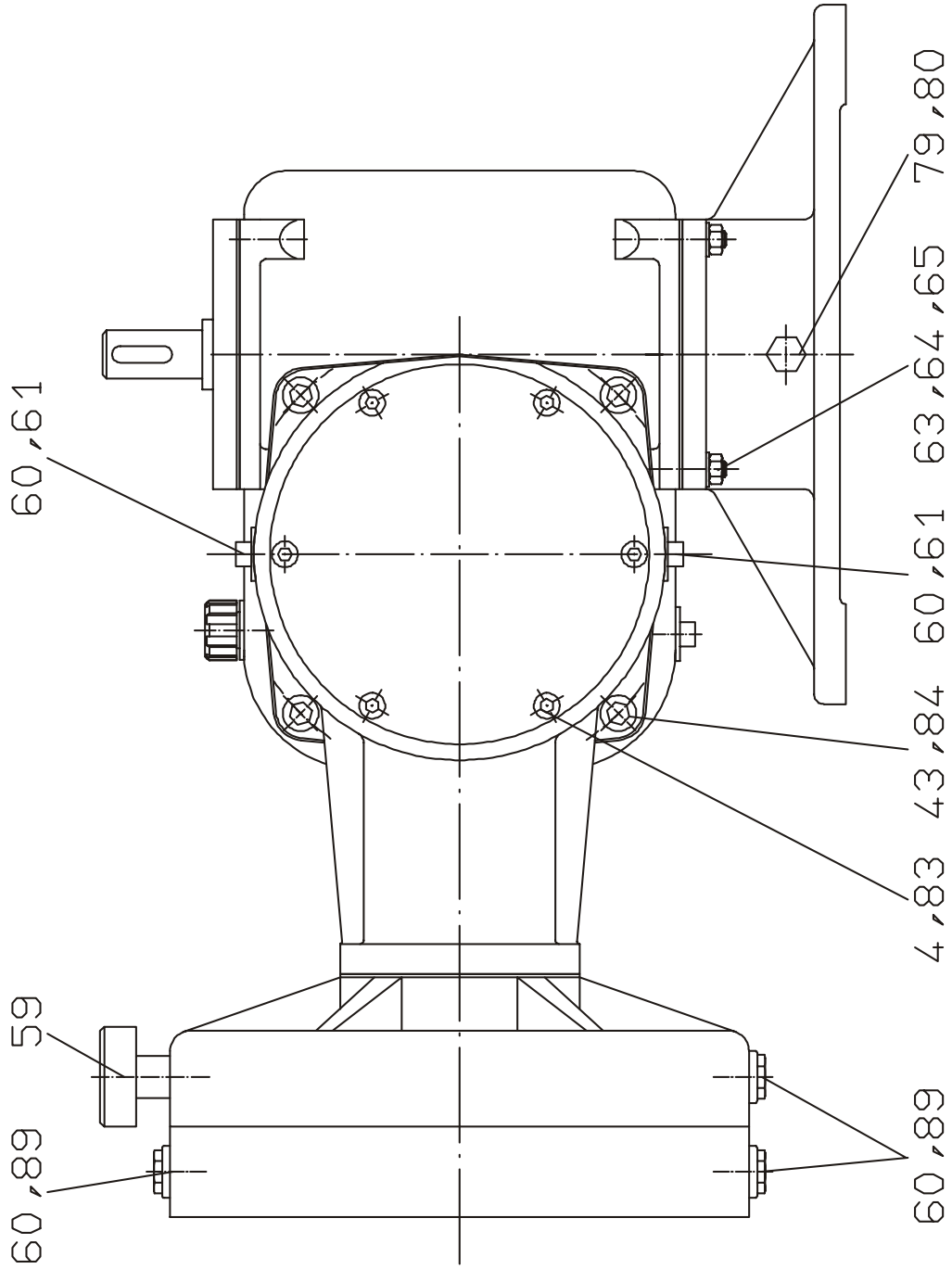
MEMDOS GMR

Drawing	Type	Material	Size	Compl. assbly	Units		
					Item	Description	Part No.
	C1	PVC	d 50	21548	1	Flange bush	21548
			d 63	21529	1	Flange bush	21529
	D1	1.4571	G11/2	25255	1	Threaded bush	25255
			G2	27046	1	Threaded bush	27046
		PVC	G2	29888	1	Threaded bush	29888
	F1	PVC	DN40	27100	1	Flange	14982
					2	Connection	25256
		1.4571	27101	1	Flange	25257	
				2	Connection	25258	
		PVC	DN50	27103	1	Flange	21573
					2	Connection	21572
1.4571	27104	1	Flange	25260			
		2	Connection	25259			

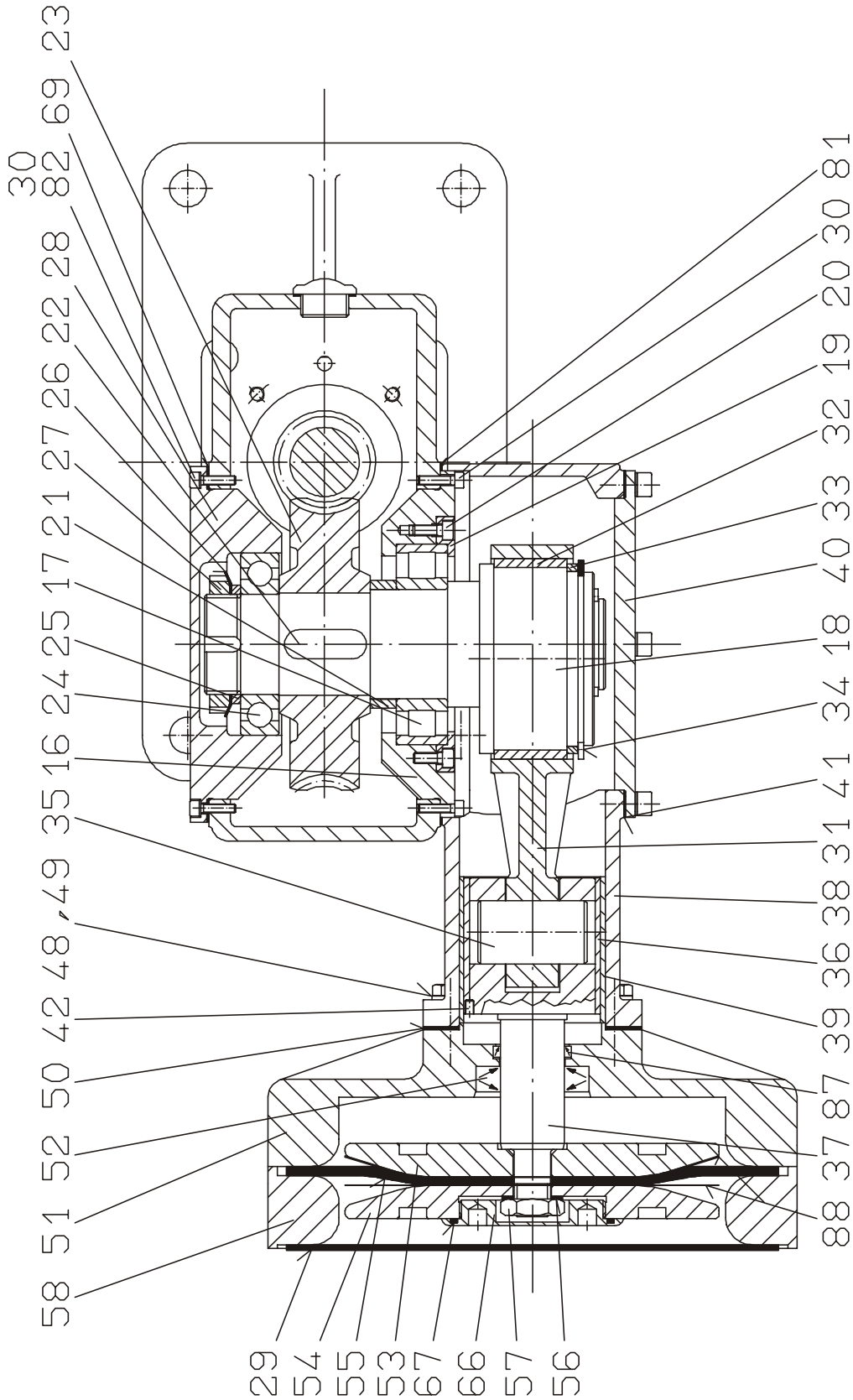
MEMDOS GMR



Direct drive as an alternative
to variable bevel drive



MEMDOS GMR

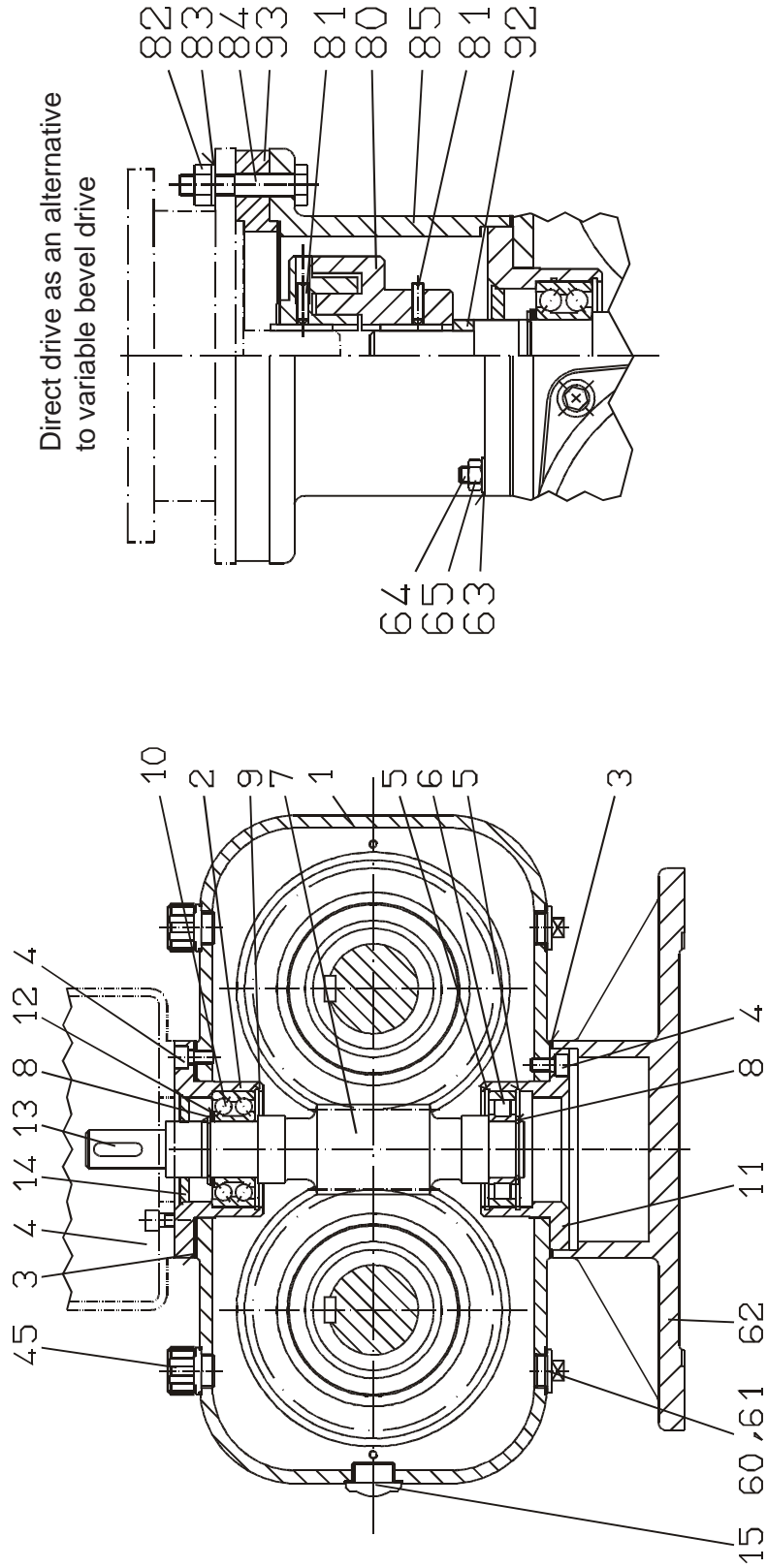


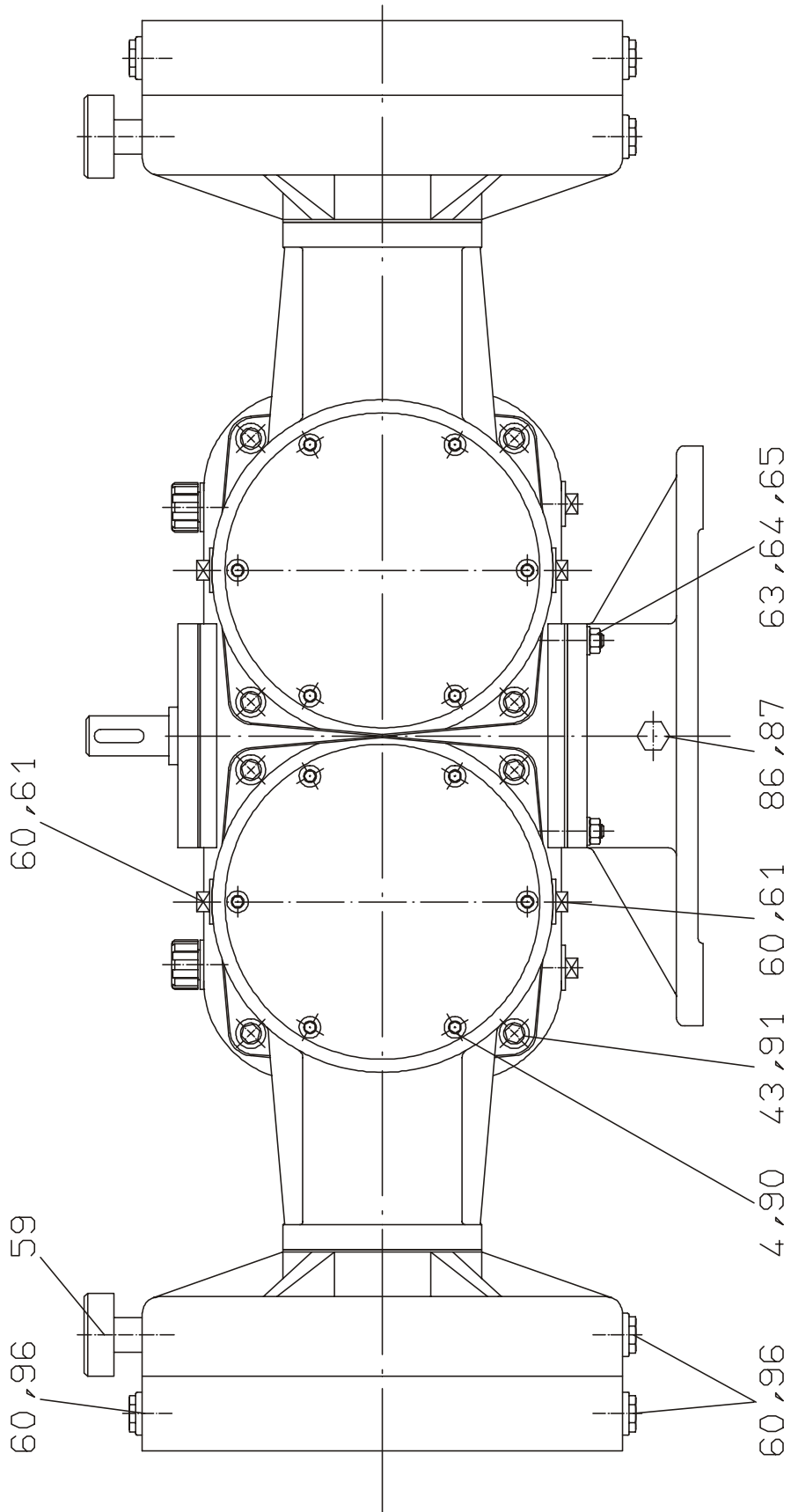
MEMDOS GMR

Item	Description	Material	Part No.	Pump type					
				GMR 2000		GMR 3000		GMR 4000	
				3 phase AC motor	Gearbox	3 phase AC motor	Gearbox	3 phase AC motor	Gearbox
1	Drive housing	GG 26	17021	1	1	1	1	1	1
2	Bearing flange	9S Mn Pb28k	17026	1	-	1	-	1	-
		GG 26	21542	-	1	-	1	-	1
3	Gasket	AF	17041	2	2	2	2	2	2
4	Socket head screw	8.8 galvanized	83052	14	18	14	18	14	18
5	Circlip	Spring steel	84117	2	2	2	2	2	2
6	Cylinder roller bearing	St	86072	1	1	1	1	1	1
7	Worm shaft	St hardened	21541	1	1	1	1	1	1
8	Snap ring	Spring steel	84016	2	2	2	2	2	2
9	Snap ring	Spring steel	84112	1	1	1	1	1	1
10	Inclined ball bearing	St	86042	1	1	1	1	1	1
11	Bearing flange	9S Mn Pb28k	17026	1	1	1	1	1	1
12	Seeger support disk	Spring steel	84114	1	1	1	1	1	1
13	Adjusting spring	St 50 k	83445	1	1	1	1	1	1
14	Gear cover	PE	21545	1	1	1	1	1	1
15	Oil gauge	Plexiglass	82181	1	1	1	1	1	1
16	Bearing flange	9S Mn Pb28k	17016	1	1	1	1	1	1
17	Cylinder roller bearing	St	86102	1	1	1	1	1	1
18	Guide shaft	St 60	21489	1	1	-	-	-	-
			21575	-	-	1	1	-	-
			21532	-	-	-	-	1	1
19	Clamping ring	9S Mn Pb28k	21465	1	1	1	1	1	1
20	Socket head screw	8.8 galvanized	83421	4	4	4	4	4	4
21	Spacer	9S Mn Pb28k	17011	1	1	1	1	1	1
22	Adjusting spring	St 50 k	83444	1	1	1	1	1	1
23	Worm wheel	Bz	21478	1	1	1	1	1	1
24	Grooved ball bearing	St	86077	1	1	1	1	1	1
25	Support ring	St 35	17023	1	1	1	1	1	1
26	Locking plate	St	86074	1	1	1	1	1	1
27	Shaft nut	St	86073	1	1	1	1	1	1
28	Bearing flange	9S Mn Pb28k	17017	1	1	1	1	1	1
29	Diaphragm	EPDM/PTFE	81663	1	1	-	-	-	-
			81664	-	-	1	1	1	1
30	Socket head screw	8.8 galvanized	83001	16	16	16	16	16	16
31	Connecting rod	G-Sn Bz 10	21457	1	1	1	1	1	1
32	Internal ring	St	86075	1	1	1	1	1	1
33	Spacer	St 35	21463	1	1	1	1	1	1
34	Snap ring	Spring steel	84094	1	1	1	1	1	1
35	Bolt	St 60	21459	1	1	1	1	1	1
36	Bearing bush	St 35	21458	1	1	1	1	1	1
37	Push rod	St 60	21460	1	1	-	-	-	-
			21537	-	-	1	1	1	1
38	Crank housing	GG26	17022	1	1	1	1	1	1
39	Guide bush	DU	34054	1	1	1	1	1	1
40	Cover disk	9S Mn Pb28k	21486	1	1	1	1	1	1
41	Gasket	AF	17039	1	1	1	1	1	1
42	Setscrew	8.8 galvanized	83294	2	2	2	2	2	2
43	Socket head screw	8.8 galvanized	83452	4	4	4	4	4	4
45	Venting screw	Plastic	26565	1	1	1	1	1	1

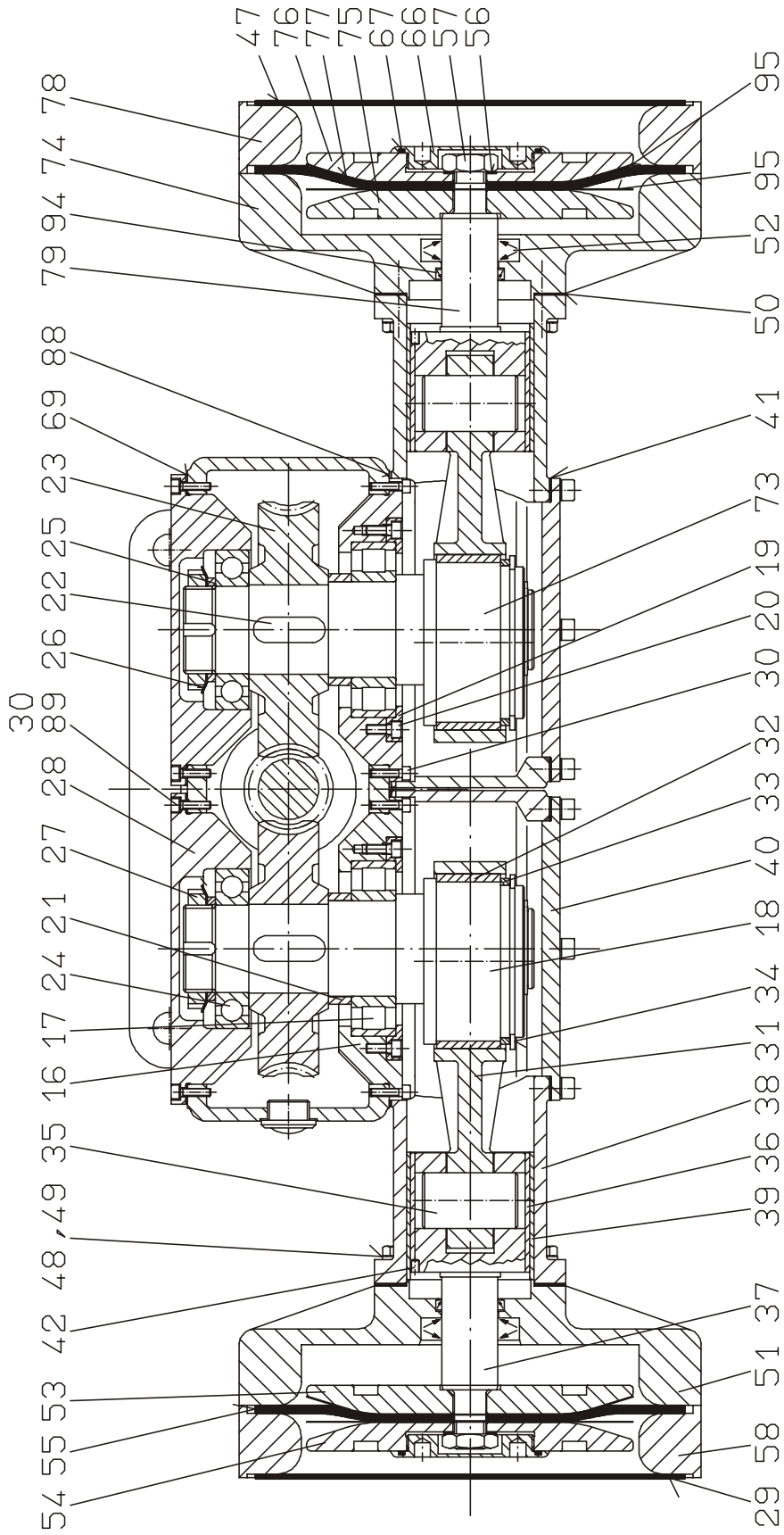
Item	Description	Material	Part No.	Pump type					
				GMR 2000		GMR 3000		GMR 4000	
				3 phase AC motor	Gearbox	3 phase AC motor	Gearbox	3 phase AC motor	Gearbox
48	Hex. head screw	8.8 galvanized	83161	4	4	4	4	4	4
49	Washer	St nickel-plate	84028	4	4	4	4	4	4
50	Gasket	AF	17042	1	1	1	1	1	1
51	Diaphragm chamber	Gk Al Si 12	21468	1	1	-	-	-	-
		Gk Al Si 12	21536	-	-	1	1	1	1
52	Shaft seal	NBR	81402	1	1	1	1	1	1
53	Rear diaphragm plate	St 50	21466	1	1	-	-	-	-
		St 50	21533	-	-	1	1	1	1
54	Front diaphragm plate	St 50	21467	1	1	-	-	-	-
		St 50	21534	-	-	1	1	1	1
55	Rear diaphragm	Buna black	81398	1	1	-	-	-	-
			81410	-	-	1	1	1	1
56	Toothed washer	Spring steel	84140	1	1	1	1	1	1
57	Hexagonal nut	5. galvanized	83125	1	1	1	1	1	1
58	Intermediate ring	Gk Al Si 12	21469	1	1	-	-	-	-
			21535	-	-	1	1	1	1
59	Venting	PVC	21546	1	1	1	1	1	1
60	Gasket	Klingerit	17043	7	7	7	7	7	7
61	Cover plug	Ms nickel-plate	17037	3	3	3	3	3	3
62	Base plate	GG 22	11125	1	1	1	1	1	1
63	Washer	A2	84131	8	4	8	4	8	4
64	Stud	8.8 galvanized	83145	8	4	8	4	8	4
65	Hexagonal nut	A2	83130	8	4	8	4	8	4
66	Protective cap	9S Mn Pb28k	31874	1	1	1	1	1	1
67	O-ring	Viton	80613	1	1	1	1	1	1
69	Gasket	AF	17040	1	1	1	1	1	1
70	Glycerin		97511	1.05	1.05	1.5	1.5	1.5	1.5
71	Gear lubricant		97542	3.5	3.5	3.5	3.5	3.5	3.5
73	Poly-coupling	GG	32343	1	-	1	-	1	-
74	Setscrew	8.8 galvanized	83217	2	-	2	-	2	-
75	Hexagonal nut	A4	83393	4	-	4	-	4	-
76	Washer	St nickel-plate	84028	4	-	4	-	4	-
77	Hex. head screw	8.8 galvanized	83164	4	-	4	-	4	-
78	Motor adapter	GG 26	11127	1	-	1	-	1	-
79	Locking screw	Ms 58	82022	1	1	1	1	1	1
80	Gasket	Cu	81722	1	1	1	1	1	1
81	Sealant		97610	0,3	0,3	0,3	0,3	0,3	0,3
82	Washer	Cu	84191	8	8	8	8	8	8
83	Washer	Cu	84199	6	6	6	6	6	6
84	Washer	Cu	84192	4	4	4	4	4	4
85	Spacer	9S Mn Pb28k	32602	1	-	1	-	1	-
86	Intermediate flange	Al	33258	1	-	1	-	1	-
87	Compact gasket	Au	80783	1	1	1	1	1	1
88	Foil	PTFE	34407	2	2	-	-	-	-
			34408	-	-	2	2	2	2
89	Cover plug	A4	88231	4	4	4	4	4	4
Complete gearbox assembly				32179	32344	32180	32345	32181	32346

MEMDOS GMR





MEMDOS GMR



MEMDOS GMR

Item	Description	Material	Part no.	Pump type					
				ZGMR 2000/2000		ZGMR 2000/3000		ZGMR 2000/4000	
				3 phase AC motor	Gearbox	3 phase AC motor	Gearbox	3 phase AC motor	Gearbox
1	Drive housing	GG 26	17020	1	1	1	1	1	1
2	Bearing flange	9S Mn Pb28k	17026	1	-	1	-	1	-
		GG 26	21542	-	1	-	1	-	1
3	Gasket	AF	17041	2	2	2	2	2	2
4	Socket head screw	8.8 galvanized	83052	20	24	20	24	20	24
5	Circlip	Spring steel	84117	2	2	2	2	2	2
6	Cylinder roller bearing	St	86072	1	1	1	1	1	1
7	Worm shaft	St hardened	21541	1	1	1	1	1	1
8	Snap ring	Spring steel	84016	2	2	2	2	2	2
9	Snap ring	Spring steel	84112	1	1	1	1	1	1
10	Inclined ball bearing	St	86042	1	1	1	1	1	1
11	Bearing flange	9S Mn Pb28k	17026	1	1	1	1	1	1
12	Seeger support disk	Spring steel	84114	1	1	1	1	1	1
13	Adjusting spring	St 50 k	83445	1	1	1	1	1	1
14	Gear cover	PE	21545	1	1	1	1	1	1
15	Oil gauge	Plexi	82181	1	1	1	1	1	1
16	Bearing flange	9S Mn Pb28k	17016	2	2	2	2	2	2
17	Cylinder roller bearing	St	86102	2	2	2	2	2	2
18	Guide shaft	St 60	21489	2	2	-	-	-	-
			21575	-	-	1	1	-	-
			21532	-	-	-	-	1	1
19	Clamping ring	9S Mn Pb28k	21465	2	2	2	2	2	2
20	Socket head screw	8.8 galvanized	83421	8	8	8	8	8	8
21	Spacer	9S Mn Pb28k	17011	2	2	2	2	2	2
22	Adjusting spring	St 50 k	83444	2	2	2	2	2	2
23	Worm wheel	Bz	21478	2	2	2	2	2	2
24	Grooved ball bearing	St	86077	2	2	2	2	2	2
25	Support ring	St 35	17023	2	2	2	2	2	2
26	Locking plate	St	86074	2	2	2	2	2	2
27	Shaft nut	St	86073	2	2	2	2	2	2
28	Bearing flange	9S Mn Pb28k	17017	2	2	2	2	2	2
29	Diaphragm	EPDM/PTFE	81663	2	2	1	1	1	1
30	Socket head screw	8.8 galvanized	83001	32	32	32	32	32	32
31	Connecting rod	G-Sn Bz 10	21457	2	2	2	2	2	2
32	Internal ring	St	86075	2	2	2	2	2	2
33	Spacer	St 35	21463	2	2	2	2	2	2
34	Snap ring	Spring steel	84094	2	2	2	2	2	2
35	Bolt	St 60	21459	2	2	2	2	2	2
36	Bearing bush	St 35	21458	2	2	2	2	2	2
37	Push rod	St 60	21460	2	2	-	-	-	-
			21537	-	-	1	1	1	1
38	Crank housing	GG26	17022	2	2	2	2	2	2
39	Guide bush	DU	34054	2	2	2	2	2	2
40	Cover disk	9S Mn Pb28k	21486	2	2	2	2	2	2
41	Gasket	AF	17039	2	2	2	2	2	2
42	Setscrew	8.8 galvanized	83294	4	4	4	4	4	4
43	Socket head screw	8.8 galvanized	83452	8	8	8	8	8	8
45	Venting screw	Plastic	26565	2	2	2	2	2	2
47	Diaphragm	EPDM/PTFE	81664	-	-	1	1	1	1

Item	Description	Material	Part No.	Pump type					
				ZGMR 2000/2000		ZGMR 2000/3000		ZGMR 2000/4000	
				3 phase AC motor	Gearbox	3 phase AC motor	Gearbox	3 phase AC motor	Gearbox
48	Hex. head screw	8.8 galvanized	83161	8	8	8	8	8	8
49	Washer	St nickel-plate	84028	8	8	8	8	8	8
50	Gasket	AF	17042	2	2	2	2	2	2
51	Diaphragm chamber	Gk Al Si 12	21468	2	2	-	-	-	-
		Gk Al Si 12	21536	-	-	1	1	1	1
52	Shaft seal	NBR	81402	2	2	2	2	2	2
53	Rear diaphragm plate	St 50	21466	2	2	-	-	-	-
		St 50	21533	-	-	1	1	1	1
54	Front diaphragm plate	St 50	21467	2	2	-	-	-	-
		St 50	21534	-	-	1	1	1	1
55	Rear diaphragm	Buna black	81398	2	2	-	-	-	-
			81410	-	-	1	1	1	1
56	Toothed washer	Spring steel	84140	2	2	2	2	2	2
57	Hexagonal nut	5. galvanized	83125	2	2	2	2	2	2
58	Intermediate ring	Gk Al Si 12	21469	2	2	-	-	-	-
			21535	-	-	1	1	1	1
59	Venting	PVC	21546	2	2	2	2	2	2
60	Gasket	Klingerit	17043	13	13	13	13	13	13
61	Cover plug	Ms nickel-pl.	17037	5	5	5	5	5	5
62	Base plate	GG 22	11125	1	1	1	1	1	1
63	Washer	A2	84131	8	4	8	4	8	4
64	Stud	8.8 galvanized	83145	8	4	8	4	8	4
65	Hexagonal nut	A2	83130	8	4	8	4	8	4
66	Protective cap	9S Mn Pb28k	31874	2	2	2	2	2	2
67	O-ring	Viton	80613	2	2	2	2	2	2
69	Gasket	AF	17040	2	2	2	2	2	2
70	Glycerin		97511	2.1	2.1	2.55	2.55	2.55	2.55
71	Gear lubricant		97542	5	5	5	5	5	5
73	Guide shaft	St 60	21489	-	1	1	1	1	
74	Rear diaph. chamber	Gk Al Si 12	21468	-	-	1	1	1	1
75	Rear diaph. plate	St 50	21466	-	-	1	1	1	1
76	Front diaph. plate	St 50	21467	-	-	1	1	1	1
77	Rear diaphragm	Buna black	88398	-	-	1	1	1	1
78	Intermediate ring	Gk Al Si 12	21469	-	-	1	1	1	1
79	Push rod	St 60	21460	-	-	1	1	1	1
80	Poly-coupling	GG	32343	1	-	1	-	1	-
81	Setscrew	8.8 galvanized	83217	2	-	2	-	2	-
82	Hexagonal nut	A4	83393	4	-	4	-	4	-
83	Washer	St. nickel-plate	84028	4	-	4	-	4	-
84	Hex. head screw	8.8 galvanized	83164	4	-	4	-	4	-
85	Motor adapter	GG 26	11127	1	-	1	-	1	-
86	Locking screw	Ms 58	82022	1	1	1	1	1	1
87	Gasket	AF	81722	1	1	1	1	1	1
88	Sealant		97610	0,6	0,6	0,6	0,6	0,6	0,6
89	Washer	Cu	84191	16	16	16	16	16	16
90	Washer	Cu	84199	12	12	12	12	12	12
91	Washer	Cu	84192	8	8	8	8	8	8
92	Spacer	9S Mn Pb28k	32602	1	-	1	-	1	-
93	Intermediate flange	Al	33258	1	-	1	-	1	-
94	Compact gasket	Au	80783	1	1	1	1	1	1
95	Foil	PTFE	34407	4	4	2	2	2	2
			34408	-	-	2	2	2	2
96	Cover plug	A4	88231	8	8	8	8	8	8
Complete gearbox assembly				32182	32347	32183	32348	32184	32349

Item	Description	Material	Part No.	Pump type					
				ZGMR 3000/3000		ZGMR 3000/4000		ZGMR 4000/4000	
				3 phase AC motor	Gearbox	3 phase AC motor	Gearbox	3 phase AC motor	Gearbox
1	Drive housing	GG 26	17020	1	1	1	1	1	1
2	Bearing flange	9S Mn Pb28k	17026	1	-	1	-	1	-
		GG 26	21542	-	1	-	1	-	1
3	Gasket	AF	17041	2	2	2	2	2	2
4	Socket head screw	8.8 galvanized	83052	20	24	20	24	20	24
5	Circlip	Spring steel	84117	2	2	2	2	2	2
6	Cylinder roller bearing	St	86072	1	1	1	1	1	1
7	Worm shaft	St hardened	21541	1	1	1	1	1	1
8	Snap ring	Spring steel	84016	2	2	2	2	2	2
9	Snap ring	Spring steel	84112	1	1	1	1	1	1
10	Inclined ball bearing	St	86042	1	1	1	1	1	1
11	Bearing flange	9S Mn Pb28k	17026	1	1	1	1	1	1
12	Seeger support disk	Spring steel	84114	1	1	1	1	1	1
13	Adjusting spring	St 50 k	83445	1	1	1	1	1	1
14	Gear cover	PE	21545	1	1	1	1	1	1
15	Oil gauge	Plexiglass	82181	1	1	1	1	1	1
16	Bearing flange	9S Mn Pb28k	17016	2	2	2	2	2	2
17	Cylinder roller bearing	St	86102	2	2	2	2	2	2
18	Guide shaft	St 60	21575	2	2	-	-	-	-
			21532	-	-	1	1	2	2
19	Clamping ring	9S Mn Pb28k	21465	2	2	2	2	2	2
20	Socket head screw	8.8 galvanized	83421	8	8	8	8	8	8
21	Spacer	9S Mn Pb28k	17011	2	2	2	2	2	2
22	Adjusting spring	St 50 k	83444	2	2	2	2	2	2
23	Worm wheel	Bz	21478	2	2	2	2	2	2
24	Grooved ball bearing	St	86077	2	2	2	2	2	2
25	Support ring	St 35	17023	2	2	2	2	2	2
26	Locking plate	St	86074	2	2	2	2	2	2
27	Shaft nut	St	86073	2	2	2	2	2	2
28	Bearing flange	9S Mn Pb28k	17017	2	2	2	2	2	2
29	Diaphragm	EPDM/PTFE	81664	2	2	2	2	2	2
30	Socket head screw	8.8 galvanized	83001	32	32	32	32	32	32
31	Connecting rod	G-Sn Bz 10	21457	2	2	2	2	2	2
32	Internal ring	St	86075	2	2	2	2	2	2
33	Spacer	St 35	21463	2	2	2	2	2	2
34	Snap ring	Spring steel	84094	2	2	2	2	2	2
35	Bolt	St 60	21459	2	2	2	2	2	2
36	Bearing bush	St 35	21458	2	2	2	2	2	2
37	Push rod	St 60	21537	2	2	2	2	2	2
38	Crank housing	GG26	17022	2	2	2	2	2	2
39	Guide bush	DU	21461	2	2	2	2	2	2
40	Cover disk	9S Mn Pb28k	21486	2	2	2	2	2	2
41	Gasket	AF	17039	2	2	2	2	2	2
42	Setscrew	8.8 galvanized	83294	4	4	4	4	4	4
43	Socket head screw	8.8 galvanized	83452	8	8	8	8	8	8
45	Venting screw	Plastic	26565	2	2	2	2	2	2

Item	Description	Material	Part No.	Pump type					
				ZGMR 3000/3000		ZGMR 3000/4000		ZGMR 4000/4000	
				3 phase AC motor	Gearbox	3 phase AC motor	Gearbox	3 phase AC motor	Gearbox
48	Hex. head screw	8.8 galvanized	83161	8	8	8	8	8	8
49	Washer	St nickel-plate	84028	8	8	8	8	8	8
50	Gasket	AF	17042	2	2	2	2	2	2
51	Diaphragm chamber	Gk Al Si 12	21536	2	2	2	2	2	2
52	Shaft seal	NBR	81402	2	2	2	2	2	2
53	Rear diaphragm plate	St 50	21533	2	2	2	2	2	2
54	Front diaphragm plate	St 50	21534	2	2	2	2	2	2
55	Rear diaphragm	Buna black	81410	2	2	2	2	2	2
56	Toothed washer	Spring steel	84140	2	2	2	2	2	2
57	Hexagonal nut	5. galvanized	83125	2	2	2	2	2	2
58	Intermediate ring	Gk Al Si 12	21535	2	2	2	2	2	2
59	Venting	PVC	21546	2	2	2	2	2	2
60	Gasket	Klingerit	17043	13	13	13	13	13	13
61	Cover plug	Ms nickel-pl.	17037	5	5	5	5	5	5
62	Base plate	GG 22	11125	1	1	1	1	1	1
63	Washer	A2	84131	8	4	8	4	8	4
64	Stud	8.8 galvanized	83145	8	4	8	4	8	4
65	Hexagonal nut	A2	83130	8	4	8	4	8	4
66	Protective cap	9S Mn Pb28k	31874	2	2	2	2	2	2
67	O-ring	Viton	80613	2	2	2	2	2	2
68	Straight pin	St	83724	8	8	8	8	8	8
69	Gasket	AF	17040	2	2	2	2	2	2
70	Glycerin		97511	3	3	3	3	3	3
71	Gear lubricant		97542	5	5	5	5	5	5
73	Guide shaft	St 60	21575	-	-	1	1	-	-
80	Poly-coupling	GG	32343	1	-	1	-	1	-
81	Setscrew	8.8 galvanized	83217	2	-	2	-	2	-
82	Hexagonal nut	8.8 galvanized	83113	4	-	4	-	4	-
83	Washer	St. nickel-plate	84028	4	-	4	-	4	-
84	Hex. head screw	8.8 nickel-plate	83162	4	-	4	-	4	-
85	Motor adapter	GG 26	11127	1	-	1	-	1	-
86	Locking screw	Ms 58	82022	1	1	1	1	1	1
87	Gasket	Cu	81722	1	1	1	1	1	1
88	Gasket	AF	17038	2	2	2	2	2	2
89	Washer	Cu	84191	16	16	16	16	16	16
90	Washer	Cu	84199	12	12	12	12	12	12
91	Washer	Cu	84192	8	8	8	8	8	8
92	Spacer	9S Mn Pb28k	32602	1	-	1	-	1	-
93	Intermediate flange	Al	33258	1	-	1	-	1	-
94	Compact gasket	Au	80783	2	2	2	2	2	2
95	Foil	PTFE	34408	4	4	4	4	4	4
96	Cover plug	A4	88231	8	8	8	8	8	8
Complete gearbox assembly				32185	32350	32186	32351	32187	32352