

Ersatzteil-Liste Spare Part List



Pumpwerk PP 41 Alle Varianten

Pump Tube PP 41 All variations

| Best.-Nr. Order No | Bezeichnung | Description | St. Qty. |
|-----------------------|-------------------------------------|---------------------------------------|-------------|
| 0103-250 | · Gleitringträger mit Montagespitze | sliding ring holder with mounting tip | 1 |
| 0110-005 | · Antriebswelle HC 700 mm | drive shaft HC 700 mm | 1 |
| 0110-006 | · Antriebswelle HC 1000 mm | drive shaft HC 1000 mm | 1 |
| 0110-007 | · Antriebswelle HC 1200 mm | drive shaft HC 1200 mm | 1 |
| 0110-220 | · Anschlußkopf | bearing unit | 1 |
| 0110-222 | Pumpenrohr PP41 700 mm | outer tube PP41 700 mm | 1 |
| 0110-223 | Pumpenrohr PP41 1000 mm | outer tube PP41 1000 mm | 1 |
| 0110-224 | Pumpenrohr PP41 1200 mm | outer tube PP41 1200 mm | 1 |
| 0110-251 | · Wellenf.-rohr kpl. PP41 700mm | inner tube cpl. PP41 700mm | 1 |
| 0110-252 | · Wellenf.-rohr kpl. PP41 1000mm | inner tube cpl. PP41 1000mm | 1 |
| 0110-253 | · Wellenf.-rohr kpl. PP41 1200mm | inner tube cpl. PP41 1200mm | 1 |
| 0150-027 | · Antriebswelle Niro 700 mm | drive shaft SS 700 mm | 1 |
| 0150-028 | · Antriebswelle Niro 1000 mm | drive shaft SS 1000 mm | 1 |
| 0150-029 | · Antriebswelle Niro 1200 mm | drive shaft SS 1200 mm | 1 |
| 0201-004 | · Kupplung kpl. | coupling cpl. | 1 |
| 0301-508 | Sprengring | snap ring | 1 |
| 0314-233 | + O-Ring Viton | o-ring viton | 1 |
| 0343-028 | Zentrierstern | guide for shaft tube | 1 |
| 0343-051 | Schlauchstecker PP 3/4" | hose connector PP 3/4" | 1 |
| 0343-081 | Schlauchstecker PP 1 1/4" | hose connector PP 1 1/4" | 1 |
| 0343-082 | Schlauchstecker PP 1" | hose connector PP 1" | 1 |
| 0343-106 | Flügelüberwurfmutter | wing nut | 1 |
| 0343-118 | Schlauchstecker PP 1/2" | hose connector PP 1/2" | 1 |
| 0343-300 | Auslaufstück | outrun piece | 1 |
| 0343-302 | · Lecklagerkopf | bearing housing | 1 |
| 0343-305 | · Rotor | rotor | 1 |
| 0343-306 | · Laufrad | impeller | 1 |
| 0343-307 | · Pumpenfuß-R | pump foot-R | 1 |
| 0343-308 | · Pumpenfuß-L | pump foot-L | 1 |
| 0343-842 | Handrad | hand wheel | 1 |
| 0103-404 /400 | Pumpwerk PP 41-L/R GLRD HC 700mm | pump tube PP 41-L/R MS HC 700mm | 1 |
| 0103-405 /401 | Pumpwerk PP 41-L/R GLRD HC 1000mm | pump tube PP 41-L/R MS HC 1000mm | 1 |
| 0103-406 /402 | Pumpwerk PP 41-L/R GLRD HC 1200mm | pump tube PP 41-L/R MS HC 1200mm | 1 |
| 0103-504 /500 | Pumpwerk PP 41-L/R GLRD SS 700mm | pump tube PP 41-L/R MS SS 700mm | 1 |
| 0103-505 /501 | Pumpwerk PP 41-L/R GLRD SS 1000mm | pump tube PP 41-L/R MS SS 1000mm | 1 |
| 0103-506 /502 | Pumpwerk PP 41-L/R GLRD SS 1200mm | pump tube PP 41-L/R MS SS 1200mm | 1 |
| 0110-204 /200 | Pumpwerk PP 41-L/R DL HC 700mm | pump tube PP 41-L/R SL HC 700mm | 1 |
| 0110-205 /201 | Pumpwerk PP 41-L/R DL HC 1000mm | pump tube PP 41-L/R SL HC 1000mm | 1 |
| 0110-206 /202 | Pumpwerk PP 41-L/R DL HC 1200mm | pump tube PP 41-L/R SL HC 1200mm | 1 |
| 0110-304 /300 | Pumpwerk PP 41-L/R DL SS 700mm | pump tube PP 41-L/R SL SS 700mm | 1 |
| 0110-305 /301 | Pumpwerk PP 41-L/R DL SS 1000mm | pump tube PP 41-L/R SL SS 1000mm | 1 |
| 0110-306 /302 | Pumpwerk PP 41-L/R DL SS 1200mm | pump tube PP 41-L/R SL SS 1200mm | 1 |

Techn. Stand 02/00

State of art 02/00

· Verschleißteil / wearing part

+ Neuteil / new part

Bei Ersatzteilbestellung immer **Best.-Nr. angeben** und Fertigungs-Nr. oder Auftrags-Nr. des zu reparierenden Gerätes.

Der Nettowarenwert einer Bestellung muß mindestens **EUR 25,- / DM 50,-** (ohne MWSt.) betragen.

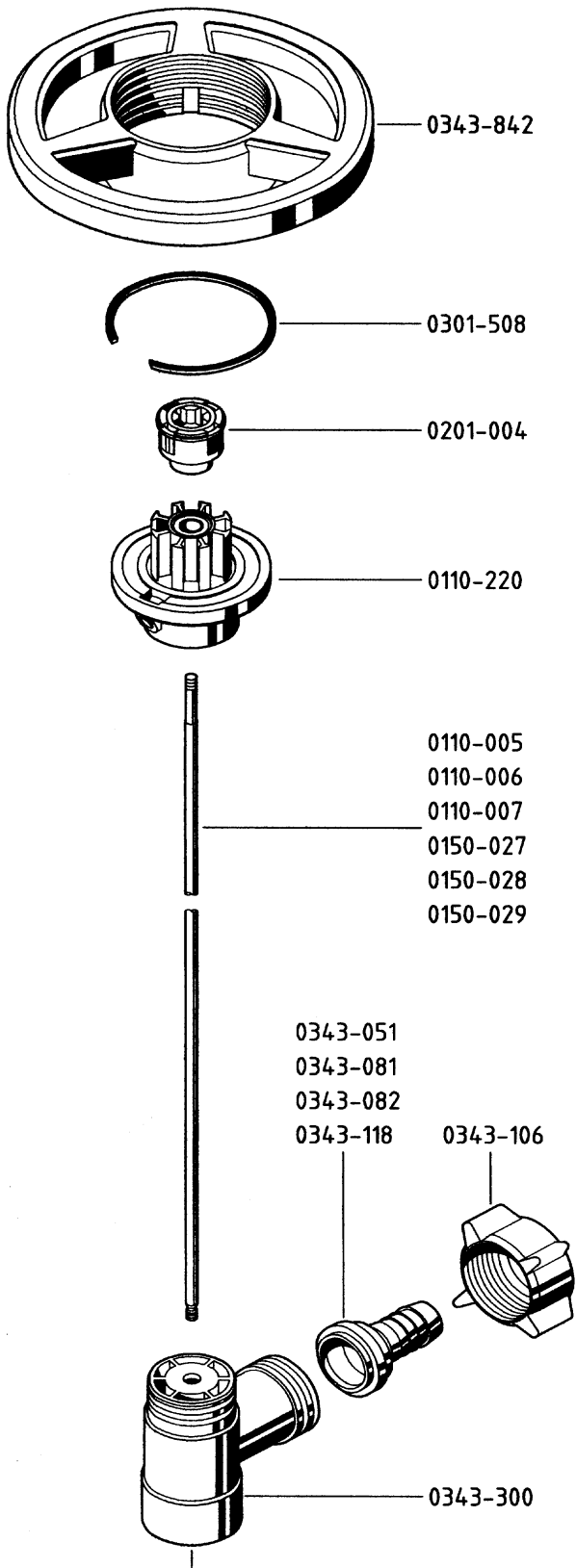
When ordering spare-parts always **indicate the corresponding order No.** and production No. or order No. of the unit to be repaired.

Minimum net value of spare part order shall amount to **EUR 25,- / DM 50,-** (without VAT)

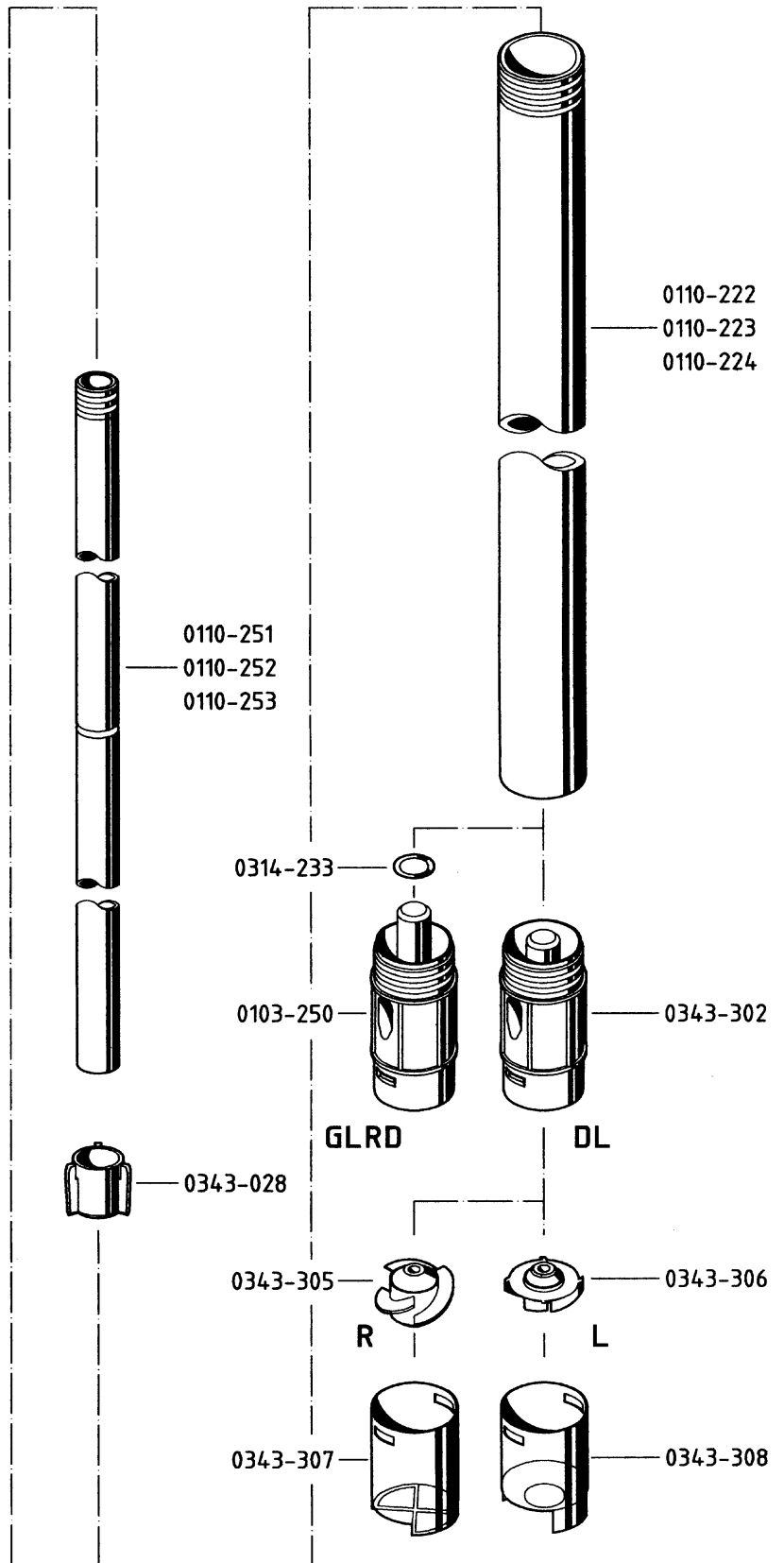
Änderungen vorbehalten. / Subject to change

Lutz-Pumpen GmbH & Co. KG · Erlenstr. 5-7 · 97877 Wertheim · Telefon 09342/879-0 · Telefax 09342/87 94 04

Internet: <http://www.lutz-pumpen.de> · e-mail: info@lutz-pumpen.de



Pumpwerk PP 41
Alle Varianten
 Techn. Stand 02/00



Pump Tube PP 41
All variations
 State of art 02/00