

Product Information MIDIDOS E

Unbeatable in price/performance

The MIDIDOS E combines good dosing qualities with a robust design – at an affordable price. It is based on an operating mechanical dosing principle that has been successful for many years, with minimal maintenance costs. As an almost silent and leak free diaphragm dosing pump, all four models reach a dosing range of up to 114 l/h. In addition its performance has a variable speed from 0 to 100%.

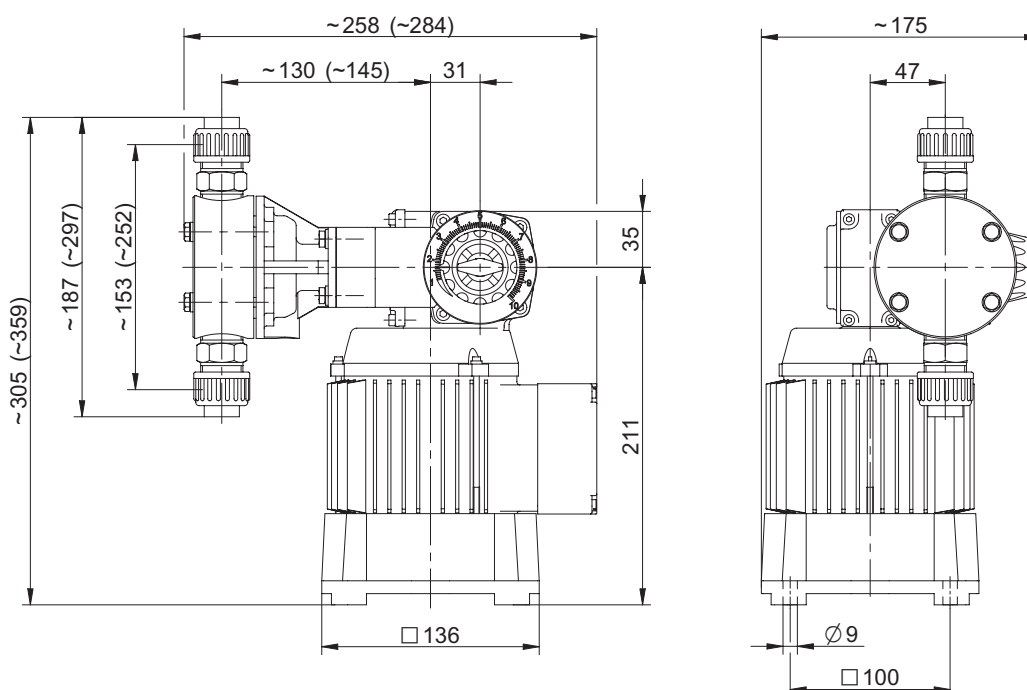
The MIDIDOS E is a simple dosing pump with a dosing head mounted on the left-hand side. The dosing head and valves are available in different materials. The electrical connection for the three-phase motor goes direct to the terminal box. It is also possible to operate it on alternating voltage.

In short

- Easy to use
- Gear parts and storage are lubricated for life
- Hub length is manually adjustable from 0 – 100%
- max. dosing range: 114l/h
- Suitable for toxic and aggressive substances
- Materials: PVC, PP, PVDF, stainless dosing head and valves; seal FPM
- Valves as double-ball valves
- Coated in EPDM - PTFE lining
- Gearbox with one-level worm-wheel gear-ratio



Dimension drawing



MIDIDOS E 24 and (E 120) dimensions

Product Information MIDIDOS E

Technical Data

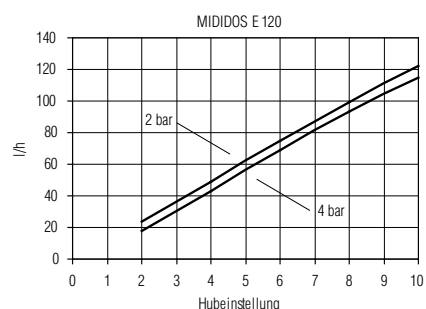
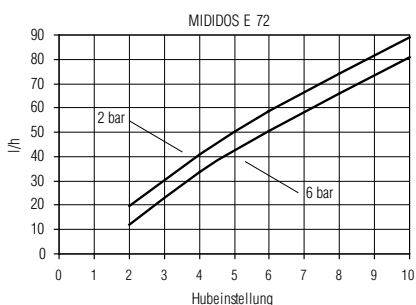
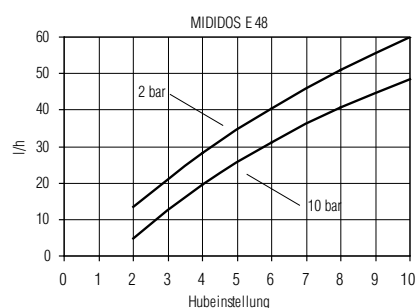
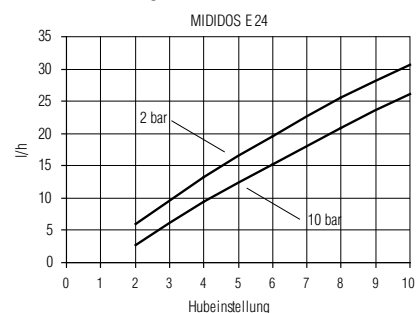
MIDIDOS	E 24	E 48	E 72	E 120
Flow rate [l/h] - max. pressure [bar]	24 - 10	48 - 10	72 - 6	114 - 4
max. pressure at 1~ mode [bar]	10	5	3	2
Hub frequency [1/min]	48	96	142	96
Hub volume [ml/Hub]	8.5	8.5	8.5	20.8
Diaphragm-Ø [mm]	64	64	64	90
Suction lift [mbar]	700	700	700	300
Double ball valve in pipe diameter	DN6	DN6	DN6	DN10
max. environment temperature [°C]	45 (with PVC max. 40)			
max. medium temperature [°C]	50 (with PVC max. 35)			
Motor specifications 3-Phase	400V / 50Hz - 440V/60Hz - 0,05kW - 0,5A			
Motor specifications 1 -Phase	230V/50Hz - 0,05kW - 0,85A			
Weight of plastic model [kg]	7	7	7	8

Table for the Range of Standard Pumps

Type	Material	Connections
E 24	PVC	Terminal connection ø 6/12 plus bonding socket ø 16
	PP	Terminal connection ø 6/12 plus welding socket ø 16
	PVDF	welding socket ø 16
	Stainless Steel	insert nut G 1/4 internal
E 48	PVC	Terminal connection ø 6/12 plus bonding socket ø 16
	PP	Terminal connection ø 6/12 plus welding socket ø 16
	PVDF	welding socket ø 16
	Stainless Steel	insert nut G 1/4 internal
E 72	PVC	Terminal connection ø 9/15 plus bonding socket ø 16
	PP	Terminal connection ø 9/15 plus welding socket ø 16
	PVDF	welding socket ø 16
	Stainless Steel	insert nut G 1/4 internal
E 120	PVC	Terminal connection ø 13/20 plus bonding socket ø 25
	PP	Terminal connection ø 13/20 plus welding socket ø 25
	PVDF	welding socket ø 25
	Stainless Steel	insert nut G 1/2 internal

Mechanical Handling characteristics

Characteristics of the mechanical handling rank at 20°C (68°F) for water. Mediums (specific gravity and viscosity) and temperature change the mechanical handling capacity. Therefore dosing pumps must be litred out during use.



- All the operational pumps in the Range Table have seals made from FPM
- Other materials on request
- Suction and discharge sides have the same size connection