



## Nomenclature Pompe WILDEN type H400S (PV) corps Inox, membranes Wilflex

### H400S STAINLESS STEEL | TPE-Fitted

No.	Part Description	Qty.	H400S/SSAAA P/N
1	Pro-Flo V™ Air Valve Assembly <sup>1</sup>	1	04-2030-01
2	O-ring (-225), End Cap (1.859x.139)	2	04-2390-52-700
3	End Cap	2	04-2340-01
4	Screw, SCH, Air Valve (1/4-20x4-1/2")	4	01-6000-03
5	Muffler Plate, ProFlo V™	1	04-3185-01
6	<b>Gasket, Muffler Plate, Pro-Flo V™</b>	<b>1</b>	<b>04-3502-52</b>
7	<b>Gasket, Air Valve, Pro-Flo V™</b>	<b>2</b>	<b>04-2620-52</b>
8	Center Block, Pro-Flo V™	1	04-3125-01
9	<b>Pilot Sleeve Assembly</b>	<b>1</b>	<b>04-3880-99</b>
10	Pilot Spool Retaining O-ring	2	04-2650-49-700
11	<b>Shaft Seal</b>	<b>4</b>	<b>15-3210-55-225</b>
12	Gasket, Center Block, Pro-Flo V™	2	04-3529-52
13	Air Chamber, H400S	2	04-3697-01
14	Screw, HSFHS (3/8-16 x 1")	8	71-6250-08
15	Retaining Ring	2	04-3890-03
16	Shaft	1	04-3846-08
17	Inner Piston	2	15-3750-01
18	<b>Diaphragm</b>	<b>2</b>	<b>04-1011-58</b>
19	Outer Piston	1	15-4600-03
20	Outer Piston, H400S	1	04-4565-03
21	<b>Seat, Valve</b>	<b>2</b>	<b>04-1121-03</b>
22	<b>Ball, Valve</b>	<b>2</b>	<b>04-1080-58</b>
23	<b>Valve Seat O-ring</b>	<b>4</b>	<b>04-1200-55</b>
24	Liquid Chamber, H400S	2	04-4981-03
25	Inlet Manifold, ANSI	1	04-5092-03
	Inlet Manifold, DIN	1	04-5080-03-43
26	Discharge Manifold, ANSI	1	04-5032-03
	Discharge Manifold, DIN	1	04-5020-03-43
27	Screw, HHC (5/16-18 x 1")	20	08-6180-03-42
28	Flat Washer (5/16)	36	08-6730-03-42
29	Seat, Plug, H400S	2	04-1135-03
30	Disc Spring Washer, 5/16"	32	08-6810-03-42
31	Hex Nut (5/16-18)	32	08-6400-03
32	Screw, HHC (5/16-18 x 1-3/8")	16	08-6100-03
	Muffler (Not Shown)	1	15-3510-99R

<sup>1</sup>Air valve assembly includes item numbers 2 and 3.

**All boldface items are primary wear parts.**

# TECHNIQUES DES FLUIDES

10 Rue Jean Poulmarch, bat. 3

Z.I. Du Val d'Argent

95100 Argenteuil

Tel. : 01.34.11.13.73 / Fax : 01.34.11.96.35

E-mail : tdf@techniquesfluides.fr

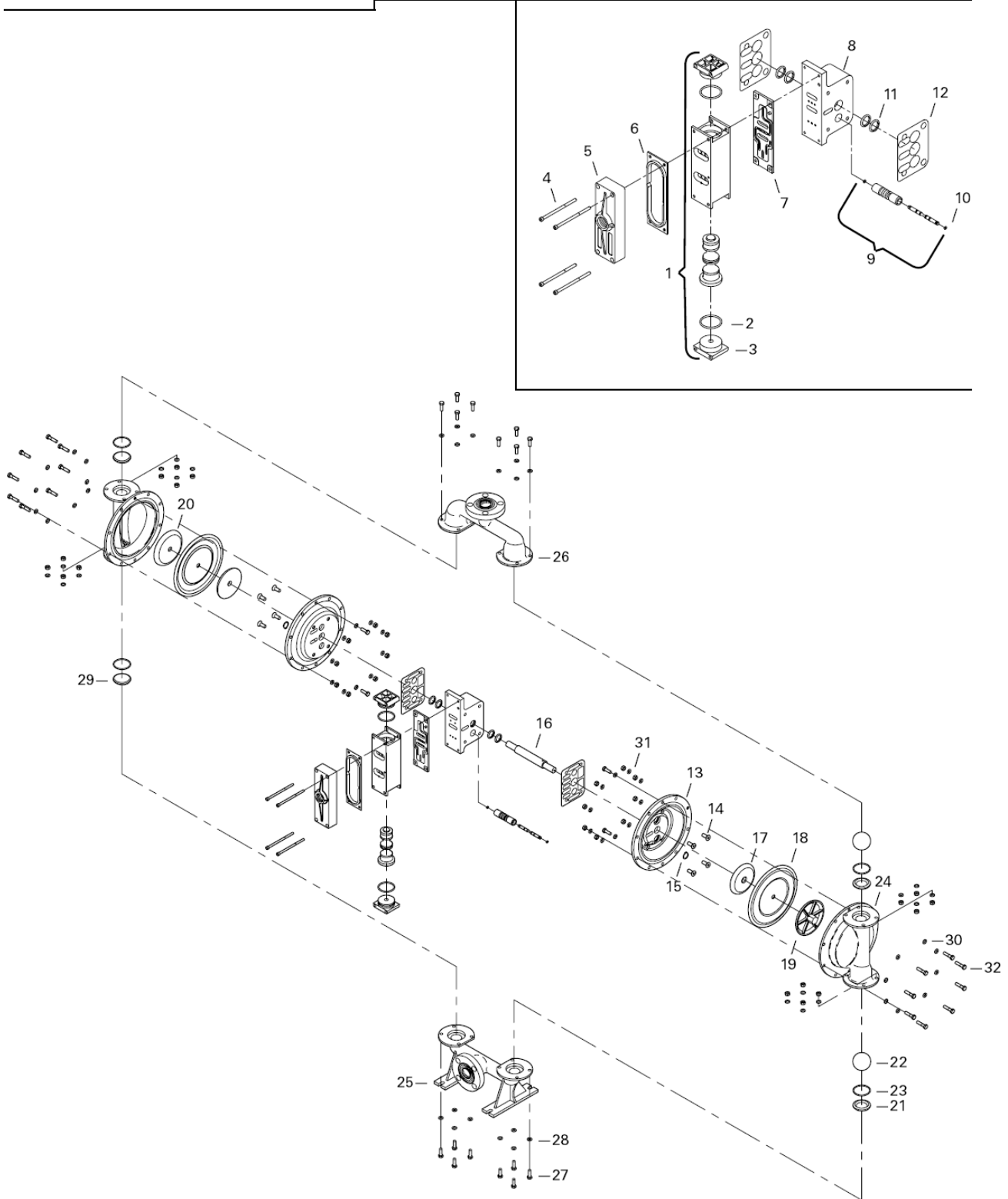
Site web : www.techniquesfluides.fr



**H400S STAINLESS STEEL**

**TPE-Fitted**

**EXPLODED VIEW**



WILDEN PUMP & ENGINEERING, LLC

20

WIL-11110-E-04