

TECHNIQUES DES FLUIDES

10 Rue Jean Poulmarch, bat. 3

Z.I. Du Val d'Argent

95100 Argenteuil

Tel. : 01.34.11.13.73 / Fax : 01.34.11.96.35

E-mail : tdf@techniquesfluides.fr

Site web : www.techniquesfluides.fr



Model T2 Metal Air-Operated Rubber/TPE-Fitted Pumps

Item	Description	Qty. Per Pump	T2/ APPB	T2/ APPB-003	T2/ SPPB	T2/ HPPB	T2/ SPPN-070	T2 AAAB	T2/ AAAB-003	T2/ SAAB	T2/ HNNB
			P/N	P/N	P/N	P/N	P/N	P/N	P/N	P/N	P/N
1	Air Valve Assembly ¹	1	02-2000-07	02-2000-07	02-2000-07	02-2000-07	02-2000-06	02-2000-07	02-2000-07	02-2000-07	02-2000-07
2	Air Valve Cap w/Guide (Bottom)	1	02-2331-23	02-2331-23	02-2331-23	02-2331-23	02-2331-23	02-2331-23	02-2331-23	02-2331-23	02-2331-23
3	Air Valve Cap w/Guide (Top)	1	02-2301-23	02-2301-23	02-2301-23	02-2301-23	02-2301-23	02-2301-23	02-2301-23	02-2301-23	02-2301-23
4	Snap Ring	2	02-2650-03	02-2650-03	02-2650-03	02-2650-03	02-2650-03	02-2650-03	02-2650-03	02-2650-03	02-2650-03
5	Air Valve Cap O-Ring	2	02-3200-52-200	02-3200-52-200	02-3200-52-200	02-3200-52-200	02-3200-52-200	02-3200-52-200	02-3200-52-200	02-3200-52-200	02-3200-52-200
6	Air Valve Gasket — Buna-N	1	02-2600-52	02-2600-52	02-2600-52	02-2600-52	02-2600-52	02-2600-52	02-2600-52	02-2600-52	02-2600-52
7	Center Section ¹	1	02-3151-20-225	02-3151-20-225	02-3151-20-225	02-3151-20-225	02-3151-20-225	02-3151-01-225	02-3150-01-225	02-3150-06-225	02-3150-06-225
8	Muffler Plate	1	02-3180-20	02-3180-20	02-3180-20	02-3180-20	02-3180-20	02-3180-01	02-3180-01	02-3180-01	02-3180-01
9	Muffler Plate Gasket — Buna-N	1	02-3500-52-500	02-3500-52-500	02-3500-52-500	02-3500-52-500	02-3500-52-500	02-3500-52-110	02-3500-52-110	02-3500-52-110	02-3500-52-110
10	Air Valve Screws ¼-20 x 6"	4	02-6000-08	02-6000-03	02-6000-03	02-6000-03	02-6000-03	02-6000-08	02-6000-03	02-6000-03	02-6000-03
	Hex Nut ¼-20, ** (Not Shown)	4	04-6400-08	04-6400-03	04-6400-03	04-6400-03	04-6400-03	N/A	N/A	N/A	N/A
11	Center Section Glyd™ Ring	4	02-3210-55-225	02-3210-55-225	02-3210-55-225	02-3210-55-225	02-3210-55-225	02-3210-55-225	02-3210-55-225	02-3210-55-225	02-3210-55-225
12	Shaft	1	02-3800-03-07	02-3800-03-07	02-3800-03-07	02-3800-03-07	02-3800-03-07	02-3800-03-07	02-3800-03-07	02-3800-03-07	02-3800-03-07
13	Stud ¾"-16 x 1 ¼"	2	N/R	N/R	02-6150-08	02-6150-08	02-6150-08	N/R	N/R	02-6150-08	02-6150-08
14	Disc Spring	2	02-6802-08	02-6802-08	02-6802-08	02-6802-08	02-6802-08	02-6802-08	02-6802-08	02-6802-08	02-6802-08
15	Pistons — Inner	2	02-3700-08	02-3700-08	02-3700-08	02-3700-08	02-3700-08	02-3700-08	02-3700-08	02-3700-08	02-3700-08
16	Diaphragm*	2	*	*	*	*	02-1010-56	*	*	*	*
17	Pistons — Outer	2	02-4550-01	02-4550-01	02-4550-03	02-4550-04	02-4550-03	02-4550-01	02-4550-01	02-4550-03	02-4550-04
18	Liquid Chamber	2	02-5000-01	02-5000-01	02-5000-03	02-5000-04	02-5000-03	02-5000-01	02-5000-01	02-5000-03	02-5000-04
19	Discharge Manifold	1	02-5020-01	02-5020-01	02-5020-03	02-5020-04	02-5020-03-70	02-5020-01	02-5020-01	02-5020-03	02-5020-04
20	Inlet Housing	1	02-5080-01	02-5080-01-03	02-5080-03	02-5080-04	02-5080-03-70	02-5080-01	02-5080-01	02-5080-03	02-5080-04
21	Manifold Bolt ¾"-16 x 8 ½"	4	02-6080-08	02-6080-03	02-6080-03	02-6080-03	02-6080-03	02-6080-08	02-6080-03	02-6080-03	02-6080-03
22	Muffler	1	02-3510-99	02-3510-99	02-3510-99	02-3510-99	02-3510-99	02-3510-99	02-3510-99	02-3510-99	02-3510-99
23	Valve Balls*	4	*	*	*	*	02-1080-56	*	*	*	*
24	Valve Seat	4	02-1120-01	02-1120-01	02-1120-03	02-1120-04	02-1120-03	02-1120-01	02-1120-01	02-1120-03	02-1120-04
25	Valve Seat O-Ring*	4	*	*	*	*	02-1200-56	*	*	*	*
26	Manifold Bolt Washer ¾"	4	15-6720-08	02-6730-03	02-6730-03	02-6730-03	08-6720-07-70	15-6720-08	02-6730-03	02-6730-03	02-6730-03
27	Manifold Bolt Nut ¾"-16	4	02-6430-08	02-6430-03	02-6430-03	02-6430-03	02-6680-03-70	02-6430-08	02-6430-03	02-6430-03	02-6430-03

Elastomer Options for Model T2 Metal Pumps

Material	Diaphragm P/N	Valve Ball P/N	Valve Seat P/N	Valve Seat O-Ring* P/N
Polyurethane	02-1010-50	02-1080-50	N/A	02-1200-50
Buna-N	02-1010-52	02-1080-52	N/A	02-1200-52
Neoprene	02-1010-51	02-1080-51	N/A	N/A
Nordel (EPDM)	02-1010-54	02-1080-54	N/A	02-1200-54
Viton®	02-1010-53	02-1080-53	N/A	N/A
Wil-Flex™	02-1010-58	02-1080-58	N/A	02-1200-58
Saniflex™	02-1010-56	02-1080-56	N/A	02-1200-56
Teflon® PTFE	02-1010-55	02-1080-55	N/A	02-1200-55
Stainless Steel	N/A	N/A	02-1120-03	N/A
Aluminum	N/A	N/A	02-1120-01	N/A
Hastelloy®	N/A	N/A	02-1120-04	N/A

Viton® est une marque déposée de DuPont Performance Elastomers

TECHNIQUES DES FLUIDES

10 Rue Jean Poulmarch, bat. 3

Z.I. Du Val d'Argent

95100 Argenteuil

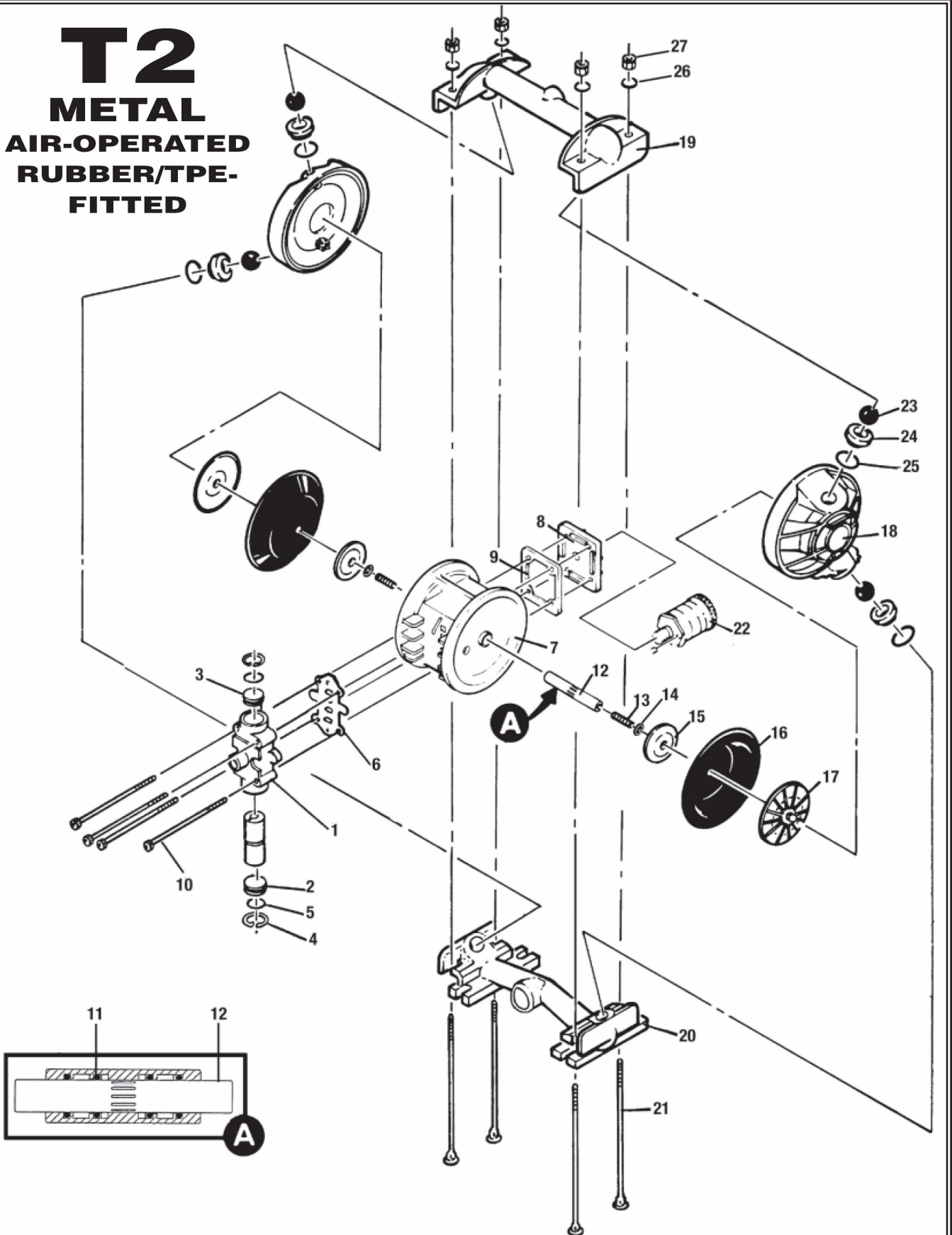
Tel. : 01.34.11.13.73 / Fax : 01.34.11.96.35

E-mail : tdf@techniquesfluides.fr

Site web : www.techniquesfluides.fr



T2 METAL AIR-OPERATED RUBBER/TPE- FITTED



TECHNIQUES DES FLUIDES

10 Rue Jean Poulmarch, bat. 3

Z.I. Du Val d'Argent

95100 Argenteuil

Tel. : 01.34.11.13.73 / Fax : 01.34.11.96.35

E-mail : tdf@techniquesfluides.fr

Site web : www.techniquesfluides.fr



Model T2 Metal Air-Operated Teflon®-Fitted Pumps

Item	Description	Qty. Per Pump	T2/APPB/ TF/TF/ATF	T2/APPB/ TF/TF/ATF-003	T2/SPPB/ TF/TF/STF	T2/HPPB/ TF/TF/HTF	T2/SPPN/ TF/TF/STF-070	T2/AAAB/ TF/TF/ATF	T2/AAAB/ TF/TF/ATF-003	T2/SAAB/ TF/TF/STF	T2/HAAB/ TF/TF/HTF	
			P/N	P/N	P/N	P/N	P/N	P/N	P/N	P/N	P/N	P/N
1	Air Valve Assembly ¹	1	02-2000-07	02-2000-07	02-2000-07	02-2000-07	02-2000-07	02-2000-06	02-2000-07	02-2000-07	02-2000-07	02-2000-07
2	Air Valve Cap w/Guide (Bottom)	1	02-2331-23	02-2331-23	02-2331-23	02-2330-23	02-2331-23	02-2331-23	02-2331-23	02-2331-23	02-2331-23	02-2331-23
3	Air Valve Cap w/Guide (Top)	1	02-2301-23	02-2301-23	02-2301-23	02-2301-23	02-2301-23	02-2301-23	02-2301-23	02-2301-23	02-2301-23	02-2301-23
4	Snap Ring	2	02-2650-03	02-2650-03	02-2650-03	02-2650-03	02-2650-03	02-2650-03	02-2650-03	02-2650-03	02-2650-03	02-2650-03
5	Air Valve Cap O-Ring	2	02-3200-52-200	02-3200-52-200	02-3200-52-200	02-3200-52-200	02-3200-52-200	02-3200-52-200	02-3200-52-200	02-3200-52-200	02-3200-52-200	02-3200-52-200
6	Air Valve Gasket — Buna-N	1	02-2600-52	02-2600-52	02-2600-52	02-2600-52	02-2600-52	02-2600-52	02-2600-52	02-2600-52	02-2600-52	02-2600-52
7	Center Section	1	02-3151-20-225	02-3151-20-225	02-3151-20-225	02-3151-20-225	02-3151-20-225	02-3151-20-225	02-3150-01-225	02-3150-01-225	02-3150-01-225	02-3150-01-225
8	Muffler Plate	1	02-3180-20	02-3180-20	02-3180-20	02-3180-20	02-3180-20	02-3180-20	02-3180-01	02-3180-01	02-3180-01	02-3180-01
9	Muffler Plate Gasket — Buna-N	1	02-3500-52-500	02-3500-52-500	02-3500-52-500	02-3500-52-500	02-3500-52-500	02-3500-52-500	02-3500-52-110	02-3500-52-110	02-3500-52-110	02-3500-52-110
10	Air Valve Screws	4	02-6000-08	02-6000-03	02-6000-03	02-6000-03	02-6000-03	02-6000-03	02-6000-08	02-6000-03	02-6000-03	02-6000-03
	Hex Nut ¼"-20, ** (Not shown)	4	04-6400-08	04-6400-03	04-6400-03	04-6400-03	04-6400-03	04-6400-03	N/A	N/A	N/A	N/A
11	Center Section Glyd™ Ring	4	02-3210-55-225	02-3210-55-225	02-3210-55-225	02-3210-55-225	02-3210-55-225	02-3210-55-225	02-3210-55-225	02-3210-55-225	02-3210-55-225	02-3210-55-225
12	Shaft	1	02-3820-03-07	02-3820-03-07	02-3820-03-07	02-3820-03-07	02-3820-03-07	02-3820-03-07	02-3820-03-07	02-3820-03-07	02-3820-03-07	02-3820-03-07
13	Disc Spring	2	02-6802-08	02-6802-08	02-6802-08	02-6802-08	02-6802-08	02-6802-08	02-6802-08	02-6802-08	02-6802-08	02-6802-08
14	Pistons — Inner	2	02-3750-01	02-3750-01	02-3750-01	02-3750-01	02-3750-01	02-3750-01	02-3750-01	02-3750-01	02-3750-01	02-3750-01
15	Pistons — Outer	2	02-4600-01	02-4600-01	02-4600-03	02-4600-04	02-4600-03	02-4600-01	02-4600-01	02-4600-01	02-4600-03	02-4600-04
16	Stud/Bolt	2	15-6130-08	15-6130-08	02-6150-08	02-6150-08	02-6150-08	15-6130-08	15-6130-08	02-6150-08	02-6150-08	02-6150-08
17	Liquid Chamber	2	02-5000-01	02-5000-01	02-5000-03	02-5000-04	02-5000-03	02-5000-01	02-5000-01	02-5000-03	02-5000-04	02-5000-04
18	Discharge Manifold	1	02-5020-01	02-5020-01	02-5020-03	02-5020-04	02-5020-03-70	02-5020-01	02-5020-01	02-5020-03	02-5020-04	02-5020-04
19	Inlet Housing	1	02-5080-01	02-5080-01	02-5080-03	02-5080-04	02-5080-03-70	02-5080-01	02-5080-01	02-5080-03	02-5080-04	02-5080-04
20	Manifold Bolt ¾"-16 x 8½"	4	02-6080-08	02-6080-03	02-6080-03	02-6080-03	02-6080-03	02-6080-08	02-6080-03	02-6080-03	02-6080-03	02-6080-03
21	Muffler	1	02-3510-99	02-3510-99	02-3510-99	02-3510-99	02-3510-99	02-3510-99	02-3510-99	02-3510-99	02-3510-99	02-3510-99
22	Back-up Diaphragm*	2	02-1060-51	02-1060-51	02-1060-51	02-1060-51	02-1060-51	02-1060-51	02-1060-51	02-1060-51	02-1060-51	02-1060-51
23	Diaphragm	2	02-1010-55	02-1010-55	02-1010-55	02-1010-55	02-1010-55	02-1010-55	02-1010-55	02-1010-55	02-1010-55	02-1010-55
24	Valve Balls	4	02-1080-55	02-1080-55	02-1080-55	02-1080-55	02-1080-55	02-1080-55	02-1080-55	02-1080-55	02-1080-55	02-1080-55
25	Valve Seat	4	02-1120-01	02-1120-01	02-1120-03	02-1120-04	02-1120-03	02-1120-01	02-1120-01	02-1120-03	02-1120-04	02-1120-04
26	Valve Seat O-Ring	4	02-1200-55	02-1200-55	02-1200-55	02-1200-55	02-1200-55	02-1200-55	02-1200-55	02-1200-55	02-1200-55	02-1200-55
27	Manifold Bolt Washer ¾"	4	02-6720-08	02-6730-03	02-6730-03	02-6730-03	08-6720-07-70	15-6720-08	02-6730-03	02-6730-03	02-6730-03	02-6730-03
28	Manifold Bolt Nut ¾"-16	4	02-6430-08	02-6430-03	02-6430-03	02-6430-03	02-6680-03-70	02-6430-08	02-6430-03	02-6430-03	02-6430-03	02-6430-03

¹Air Valve Assembly includes items 2, 3, 4 and 5.

*Required only for Teflon®-fitted pumps. Saniflex™ back-up diaphragms, P/N 02-1060-56, are available upon request. Please consult your local distributor.

**Part to be used with item 10 to secure air valve and muffler plate.

NOTE: Model T2/SPPN-070 has 1.5" cast tri-clamp inlet and outlet ports and uses wing nut type fasteners on manifold bolts.

-003 Specialty Code = Alloy-Fitted

-070 Specialty Code = Saniflo FDA

TECHNIQUES DES FLUIDES

10 Rue Jean Poulmarch, bat. 3

Z.I. Du Val d'Argent

95100 Argenteuil

Tel. : 01.34.11.13.73 / Fax : 01.34.11.96.35

E-mail : tdf@techniquesfluides.fr

Site web : www.techniquesfluides.fr

