

# TECHNIQUES DES FLUIDES

10 Rue Jean Poulmarch, bat. 3  
Z.I. Du Val d'Argent  
95100 Argenteuil  
Tel. : 01.34.11.13.73 / Fax : 01.34.11.96.35

E-mail : tdf@techniquesfluides.fr  
Site web : www.techniquesfluides.fr



## WILDEN MODEL T4 PLASTIC RUBBER-FITTED

	Part Description	Qty. Per Pump	Rubber-Fitted			
			T4/ PPPB P/N	T4/ KPPB P/N	T4/ PPPC-502 P/N	T4/ KPPC-502 P/N
<b>1</b>	<b>Air Valve Assembly<sup>1</sup></b>	<b>1</b>	<b>04-2000-07</b>	<b>04-2000-07</b>	<b>04-2000-05</b>	<b>04-2000-05</b>
2	Air Valve Bushing 1/2" x 3/8" (Optional)	1	04-6950-07	04-6950-07	04-6950-05	04-6950-05
3	Air Valve Screen	1	04-2500-07	04-2500-07	04-2500-07	04-2500-07
4	Air Valve with Guide (Top)	1	04-2300-23	04-2300-23	04-2300-23	04-2300-23
5	Air Valve Cap without End Guide (Bottom)	1	04-2330-23	04-2330-23	04-2330-23	04-2330-23
6	End Cap Cover (Not shown) <sup>2</sup>	2	N/A	N/A	04-2420-55	04-2420-55
7	Air Valve Snap Ring	2	04-2650-03	04-2650-03	04-2650-03	04-2650-03
8	Air Valve Cap O-Ring	2	04-2390-52	04-2390-52	04-2390-52	04-2390-52
9	Air Valve Gasket — Buna-N <sup>®</sup>	1	04-2600-52	04-2600-52	04-2600-52	04-2600-52
10	Air Valve Cap Screw 1/4"-20 x 6 1/8"	4	04-6000-03-500	04-6000-03-500	04-6000-05-500	04-6000-05-500
11	Air Valve Hex Nut 1/4"-20	4	04-6400-03	04-6400-03	04-6400-05	04-6400-05
12	Muffler Plate	1	04-3180-20	04-3180-20	04-3180-20	04-3180-20
13	Muffler Plate Gasket — Buna-N <sup>®</sup>	1	04-3500-52	04-3500-52	04-3500-52	04-3500-52
14	Center Section	1	04-3150-20-225	04-3150-20-225	04-3150-20-225	04-3150-20-225
<b>15</b>	<b>Center Section Glyd™ Ring</b>	<b>7</b>	<b>08-3210-55-225</b>	<b>08-3210-55-225</b>	<b>08-3210-55-225</b>	<b>08-3210-55-225</b>
16	Shaft	1	04-3800-09-07	04-3800-09-07	04-3800-09-07	04-3800-09-07
17	Shaft, Ultra-Flex™	1	04-3830-09-700	04-3830-09-700	04-3830-09-700	04-3830-09-700
18	Piston, Outer	2	04-4550-20-500	04-4550-21-500	04-4550-20-500	04-4550-21-500
19	Piston, Outer, Ultra-Flex™	2	04-4560-21	04-4560-21	04-4560-21	04-4560-21
20	Piston, Inner	2	04-3700-08	04-3700-08	04-3700-08	04-3700-08
21	Piston, Inner, Ultra-Flex™	2	04-3760-01-700	04-3760-01-700	04-3760-01-700	04-3760-01-700
22	Liquid Chamber	2	04-5000-20	04-5000-21	04-5000-20	04-5000-21
23	Large Clamp Band	2	04-7300-03-500	04-7300-03-500	04-7300-05-500	04-7300-05-500
24	Large Carriage Bolt 3/8"-18 x 2 1/4"	4	04-6070-03	04-6070-03	04-6070-05	04-6070-05
25	Hex Nut 3/8"-18	4	08-6400-03	08-6400-03	08-6400-05	08-6400-05
26	Small Clamp Band	8	04-7100-03-500	04-7100-03-500	04-7100-05-500	04-7100-05-500
27	Small Carriage Bolt 3/8"-18 x 1 3/4"	16	08-6050-03-500	08-6050-03-500	08-6050-05-500	08-6050-05-500
28	Hex Nut 3/8"-18	16	08-6400-03	08-6400-03	08-6400-05	08-6400-05
29	Discharge Elbow	2	04-5230-20	04-5230-21	04-5230-20	04-5230-21
30	Inlet Elbow	2	04-5220-20	04-5220-21	04-5220-20	04-5220-21
31	Manifold Tee Section <sup>3</sup>	2	04-5160-20	04-5160-21	04-5160-20	04-5160-21
32	Tee-Section O-Ring	4	*	*	*	*
33	Muffler (Consult factory)	1	04-3510-99	04-3510-99	04-3510-99	04-3510-99
<b>34</b>	<b>Valve Seat O-Ring</b>	<b>4</b>	<b>*</b>	<b>*</b>	<b>*</b>	<b>*</b>
<b>35</b>	<b>Diaphragm</b>	<b>2</b>	<b>*</b>	<b>*</b>	<b>*</b>	<b>*</b>
<b>36</b>	<b>Valve Ball</b>	<b>4</b>	<b>*</b>	<b>*</b>	<b>*</b>	<b>*</b>
<b>37</b>	<b>Valve Seat</b>	<b>4</b>	<b>04-1120-20-500</b>	<b>04-1120-21-500</b>	<b>04-1120-20-500</b>	<b>04-1120-21-500</b>
<b>38</b>	<b>Teflon® Gasket Kit (Not shown)</b>	<b>1</b>	<b>N/R</b>	<b>N/R</b>	<b>N/R</b>	<b>N/R</b>
39	Spacer, Ultra-Flex™	2	04-3860-08	04-3860-08	04-3860-08	04-3860-08

### T4 PLASTIC ELASTOMER OPTIONS

Material	Traditional Diaphragms (2)	Ultra-Flex™ Diaphragms (2)	Valve Balls (4)	Valve Seats (4)	Valve Seat* O-Rings (4)	T-Section O-Rings (4)
Neoprene	04-1010-51	04-1020-51	04-1080-51	N/A	N/A	N/A
Buna-N <sup>®</sup>	04-1010-52	04-1020-52	04-1080-52	N/A	04-1200-52-500	04-1300-52-500
Viton <sup>®</sup>	04-1010-53	04-1020-53	04-1080-53	N/A	N/A	N/A
Nordel <sup>®</sup> (EPDM)	04-1010-54	04-1020-54	04-1080-54	N/A	N/A	N/A
Teflon <sup>®</sup> PTFE	04-1010-55	N/A	04-1080-55	N/A	N/A	N/A
Teflon <sup>®</sup> PFA	N/A	N/A	N/A	04-1120-22-50	N/A	N/A
Teflon <sup>®</sup> Encap. (Viton <sup>®</sup> )	N/A	N/A	N/A	N/A	04-1200-60-500	04-1300-60-500
Polyurethane	04-1010-50	N/A	04-1080-50	N/A	04-1200-50-500	04-1300-50-500
Saniflex™	04-1010-56	N/A	04-1080-56	N/A	N/A	N/A
Wil-Flex™	04-1010-58	N/A	04-1080-58	N/A	N/A	N/A
Polypropylene	N/A	N/A	N/A	04-1120-20-500	N/A	N/A
PVDF	N/A	N/A	N/A	04-1120-21-500	N/A	N/A

# TECHNIQUES DES FLUIDES

10 Rue Jean Poulmarch, bat. 3

Z.I. Du Val d'Argent

95100 Argenteuil

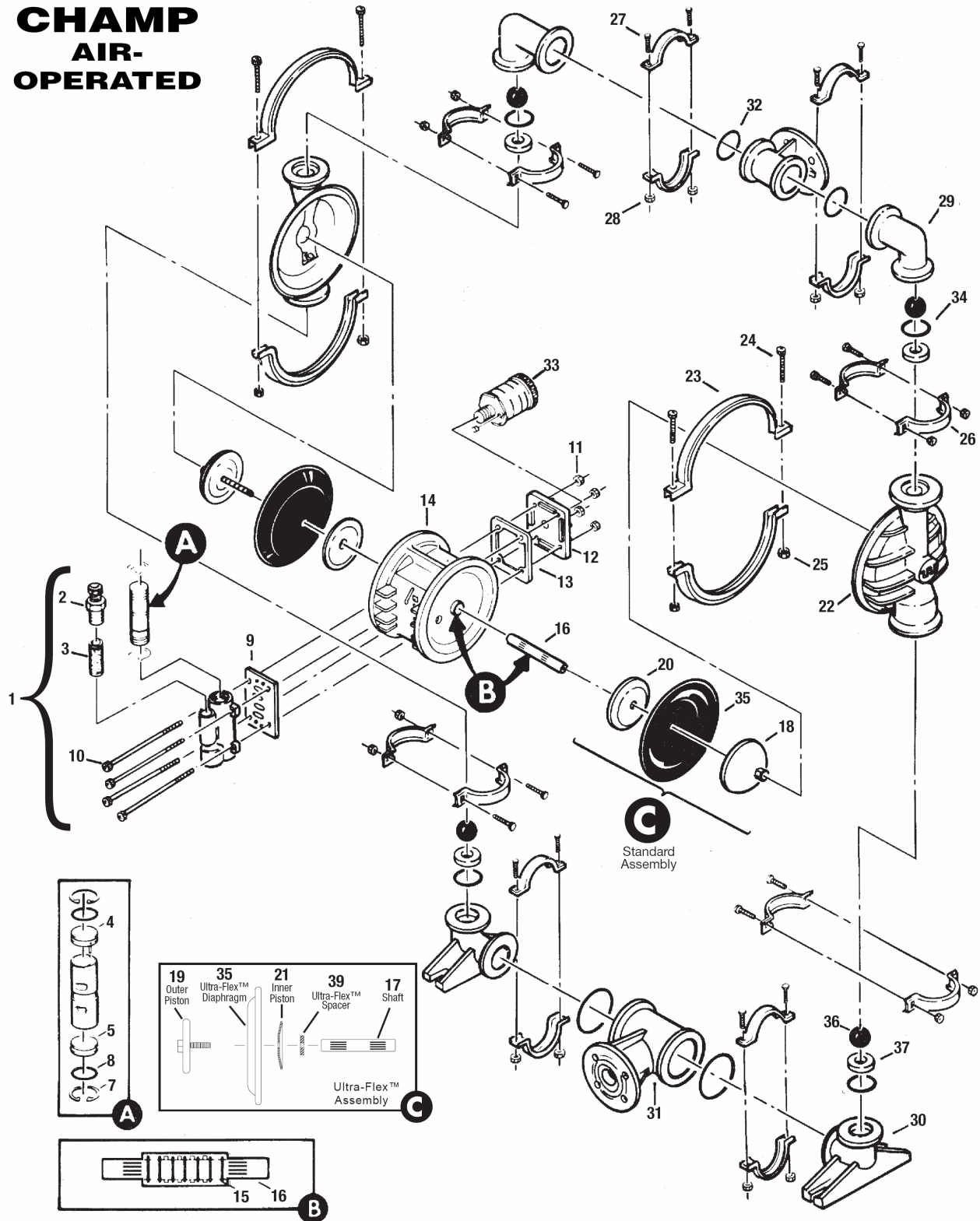
Tel. : 01.34.11.13.73 / Fax : 01.34.11.96.35

E-mail : tdf@techniquesfluides.fr

Site web : www.techniquesfluides.fr



## T4 PLASTIC CHAMP AIR- OPERATED





# TECHNIQUES DES FLUIDES

10 Rue Jean Poulmarch, bat. 3

Z.I. Du Val d'Argent

95100 Argenteuil

Tel. : 01.34.11.13.73 / Fax : 01.34.11.96.35

E-mail : tdf@techniquesfluides.fr

Site web : www.techniquesfluides.fr



## T4 PLASTIC CHAMP TEFLON®- FITTED

