

TECHNIQUES DES FLUIDES

10 Rue Jean Poulmarch, bat. 3

Z.I. Du Val d'Argent

95100 Argenteuil

Tel. : 01.34.11.13.73 / Fax : 01.34.11.96.35

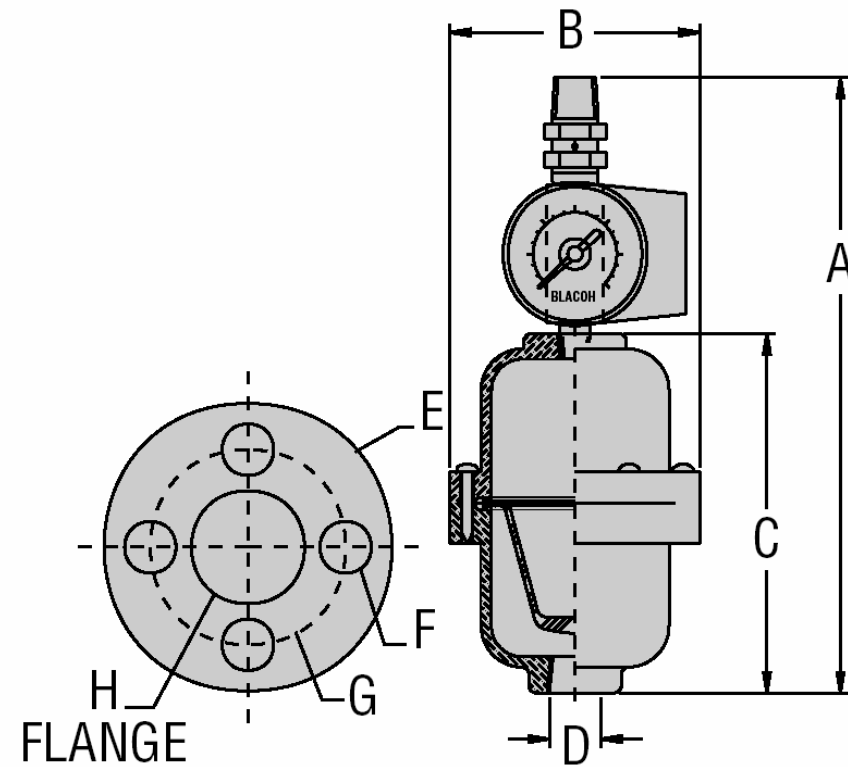
E-mail : tdf@techniquesfluides.fr

Site web : www.techniquesfluides.fr



BF^{1/4}

ITEM	METAL		PLASTIC		SANITARY	
	STD INCH	mm	STD INCH	mm	STD INCH	mm
THREADED INLET						
A	8.5	216	7.5	191	9	229
B	3.5	89	3	76	4.5	114
C	5	127	4.5	114	6.5	165
D	3/8 NPT	BSP	3/8 NPT	BSP	3/4" Tri-clamp	
FLANGED INLET						
A	10	254	8.8	224	N/A	
B	3.5	89	3	76	N/A	
C	6.5	165	5.8	146	N/A	
E	3.5	90	3.5	90	N/A	
F	.625	14	.625	14	N/A	
G	ø2.38	60	ø2.38	60	N/A	
H	1/2" ANSI	DIN 10	1/2" ANSI	DIN 10	N/A	



TECHNIQUES DES FLUIDES

10 Rue Jean Poulmarch, bat. 3

Z.I. Du Val d'Argent

95100 Argenteuil

Tel. : 01.34.11.13.73 / Fax : 01.34.11.96.35

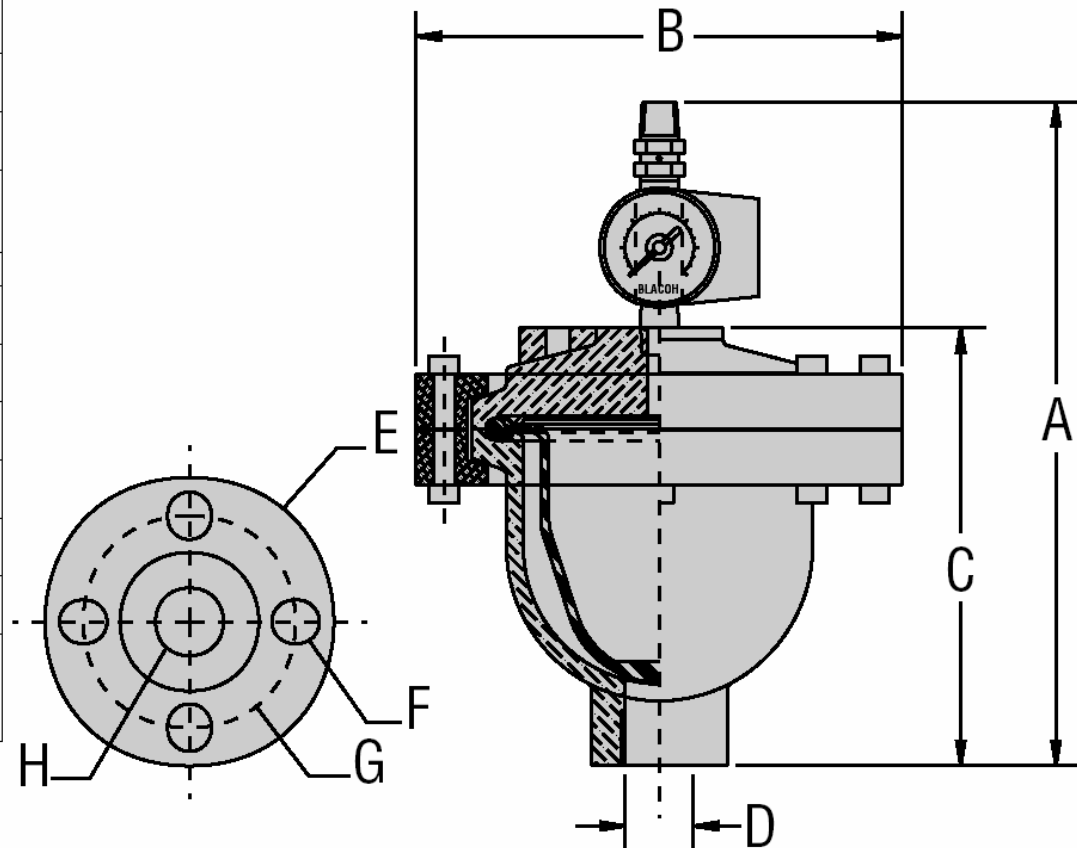
E-mail : tdf@techniquesfluides.fr

Site web : www.techniquesfluides.fr



BF^{1/2}

ITEM	METAL		PLASTIC		SANITARY	
	STD INCH	mm	STD INCH	mm	STD INCH	mm
THREADED INLET						
A	9	229	9.5	241	9.75	248
B	6.25	159	7	178	7.5	191
C	6	152	6.5	165	6.75	171
D	3/4 NPT	BSP	3/4 NPT	BSP	1 1/2" Tri clamp	
FLANGED INLET						
A	10	254	10	254	N/A	
B	6.25	159	7	187	N/A	
C	7	178	7	178	N/A	
E	4.25	105	4.25	105	N/A	
F	.625	14	.625	14	N/A	
G	ø3.13	75	ø3.13	75	N/A	
H	1" 150# ANSI	DIN 20	1" 150# ANSI	DIN 20	N/A	



TECHNIQUES DES FLUIDES

10 Rue Jean Poulmarch, bat. 3

Z.I. Du Val d'Argent

95100 Argenteuil

Tel. : 01.34.11.13.73 / Fax : 01.34.11.96.35

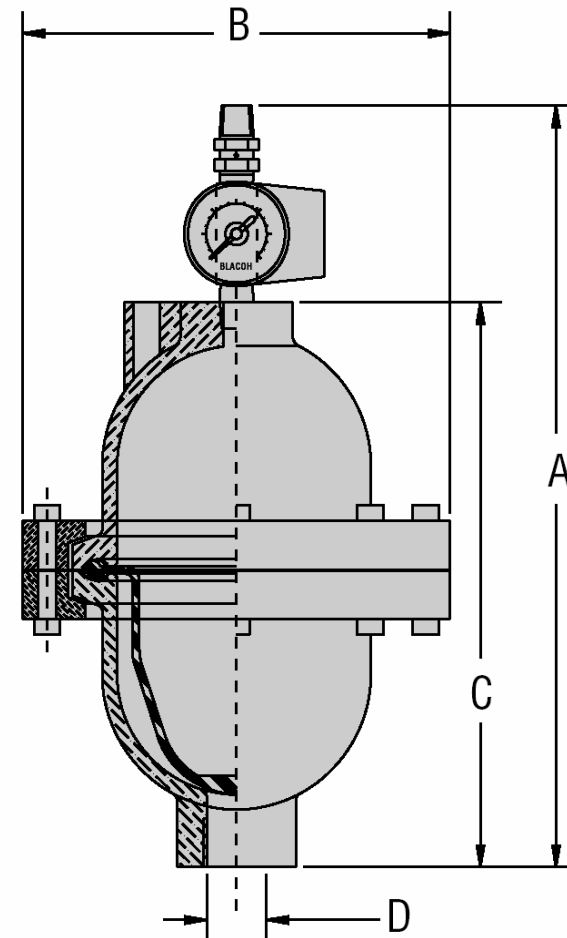
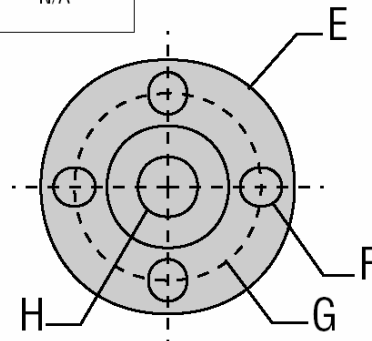
E-mail : tdf@techniquesfluides.fr

Site web : www.techniquesfluides.fr



BF1

ITEM	METAL		PLASTIC		SANITARY	
	STD INCH	mm	STD INCH	mm	STD INCH	mm
THREADED INLET						
A	12.5	318	12.8	324	13.5	343
B	6.25	159	7	178	7.5	191
C	9.5	241	9.5	241	10	254
D	3/4 NPT	BSP	3/4 NPT	BSP	1 1/2" Tri-clamp	
FLANGED INLET						
A	13.5	343	13	330	N/A	
B	6.25	159	7	178	N/A	
C	10.5	267	10	254	N/A	
E	4.25	105	4.25	105	N/A	
F	.625	14	.625	14	N/A	
G	ø3.13	75	ø3.13	75	N/A	
H	1" ANSI	DIN 20	1" ANSI	DIN 20	N/A	



TECHNIQUES DES FLUIDES

10 Rue Jean Poulmarch, bat. 3

Z.I. Du Val d'Argent

95100 Argenteuil

Tel. : 01.34.11.13.73 / Fax : 01.34.11.96.35

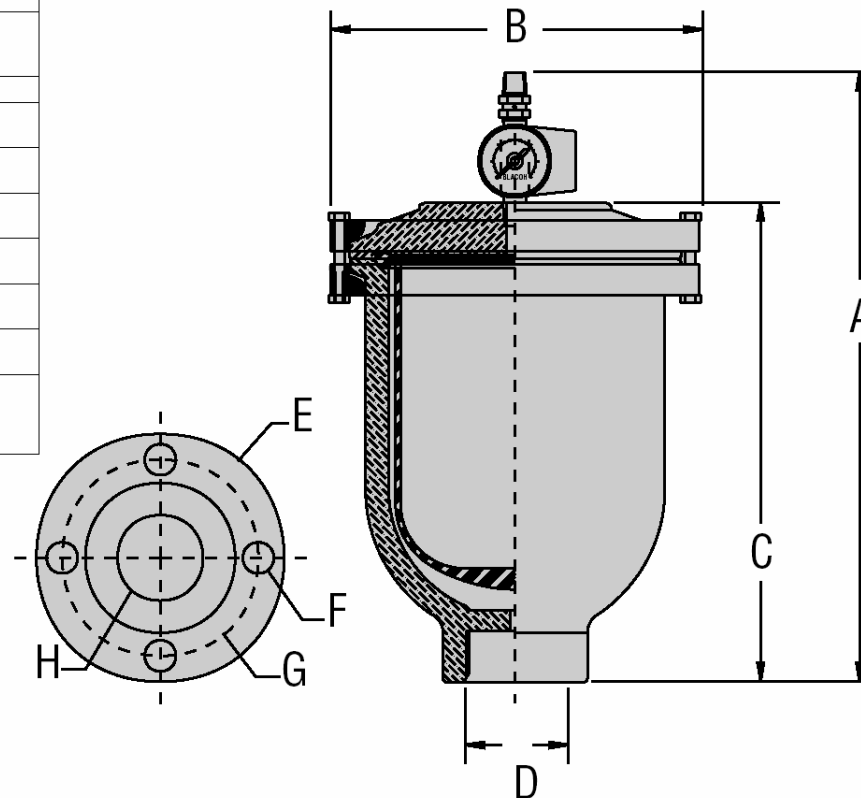
E-mail : tdf@techniquesfluides.fr

Site web : www.techniquesfluides.fr



BF1 1/2

ITEM	METAL		PLASTIC		SANITARY	
	STD INCH	mm	STD INCH	mm	STD INCH	mm
THREADED INLET						
A	16	406	14.75	375	15.5	394
B	8	203	9	229	8	203
C	12.5	318	11.5	292	11	279
D	2 NPT	BSP	2 NPT	BSP	2 1/2" Tri-clamp	
FLANGED INLET						
A	16	406	15.5	394	N/A	
B	8	203	9	229	N/A	
C	13	343	12.5	318	N/A	
E	6	165	6	165	N/A	
F	.75	18	.75	18	N/A	
G	ø4.75	125	ø4.75	125	N/A	
H	2" 150# ANSI	DIN 50	2" 150# ANSI	DIN 50	N/A	



TECHNIQUES DES FLUIDES

10 Rue Jean Poulmarch, bat. 3

Z.I. Du Val d'Argent

95100 Argenteuil

Tel. : 01.34.11.13.73 / Fax : 01.34.11.96.35

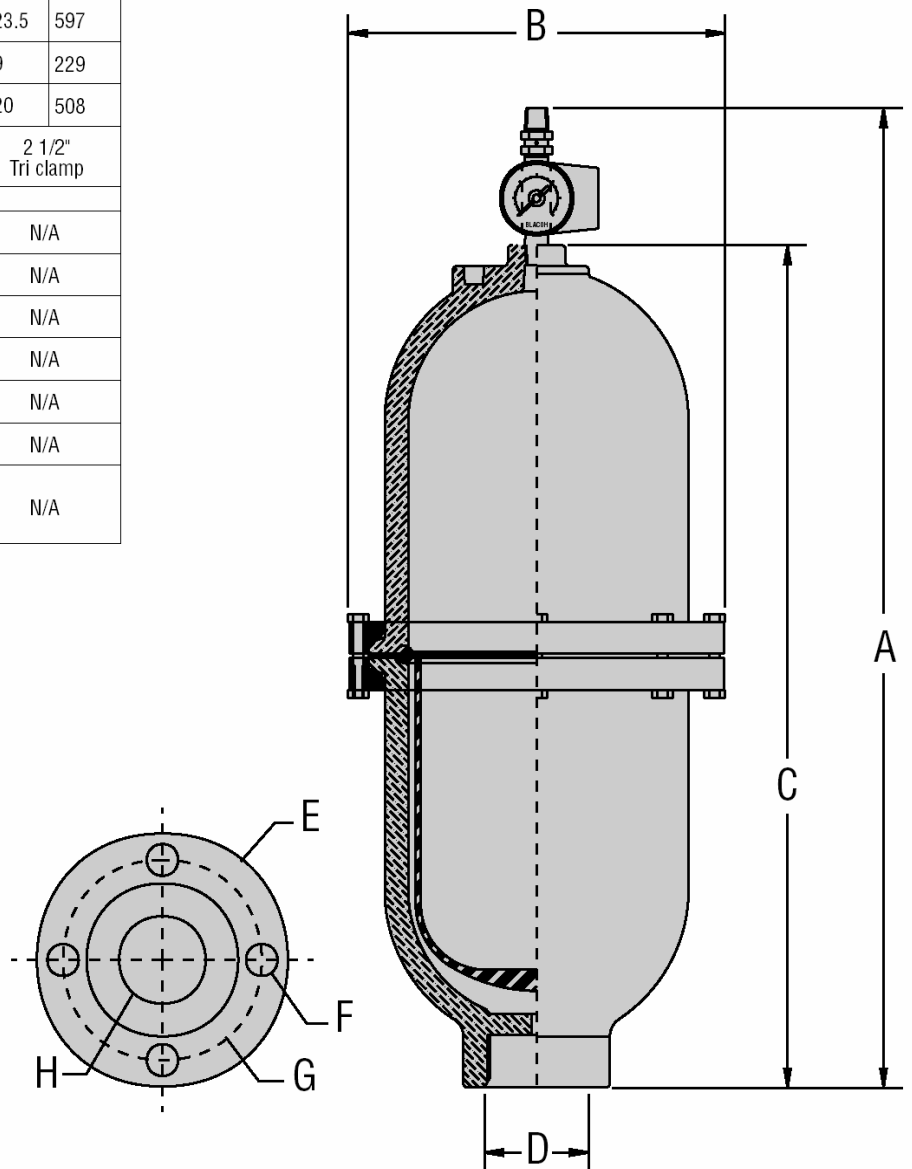
E-mail : tdf@techniquesfluides.fr

Site web : www.techniquesfluides.fr



BF2

ITEM	METAL		PLASTIC		SANITARY	
	STD INCH	mm	STD INCH	mm	STD INCH	mm
THREADED INLET						
A	23.75	603	23.25	591	23.5	597
B	8	203	9	229	9	229
C	20.5	521	20	508	20	508
D	2 NPT	BSP	2 NPT	BSP	2 1/2" Tri clamp	
FLANGED INLET						
A	24.75	629	24.25	616	N/A	
B	8	203	9	229	N/A	
C	21.5	546	21	533	N/A	
E	6	165	6	165	N/A	
F	.75	18	.75	18	N/A	
G	ø4.75	125	ø4.75	125	N/A	
H	2" 150# ANSI	DIN 50	2" 150# ANSI	DIN 50	N/A	



TECHNIQUES DES FLUIDES

10 Rue Jean Poulmarch, bat. 3

Z.I. Du Val d'Argent

95100 Argenteuil

Tel. : 01.34.11.13.73 / Fax : 01.34.11.96.35

E-mail : tdf@techniquesfluides.fr

Site web : www.techniquesfluides.fr



BF3-4

ITEM	STEEL		ALUM		PLASTIC	
	STD INCH	mm	STD INCH	mm	STD INCH	mm
FLANGED INLET						
A	16	406	17	423	18.90	480
B	18	457	18	457	17.76	451
C	13	330	14	356	15.70	399
E3	7.5	200	7.5	200	7.5	200
F3	.75	18	.75	18	.75	18
G3	ø6	152	ø6	152	ø6	152
H3	3" 150# ANSI		3" 150# ANSI		3" 150# ANSI	
E4	9	229	9	229	9	229
F4	.75	18	.75	18	.75	18
G4	ø7.5	191	ø7.5	191	ø7.5	191
H4	4" 150# ANSI		4" 150# ANSI		4" 150# ANSI	
E-DIN			200mm			
F-DIN			17.8mm			
G-DIN			160mm			
H-DIN			DIN 80			

