

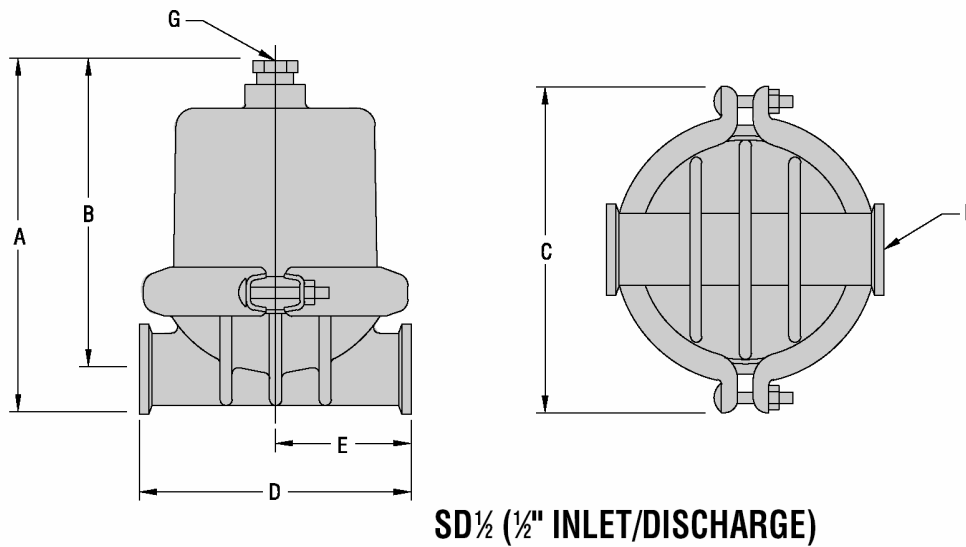
TECHNIQUES DES FLUIDES

10 Rue Jean Poulmarch, bat. 3
 Z.I. Du Val d'Argent
 95100 Argenteuil
 Tel. : 01.34.11.13.73 / Fax : 01.34.11.96.35

E-mail : tdf@techniquesfluides.fr
 Site web : www.techniquesfluides.fr



SD 1/2 DIMENSIONAL DRAWING

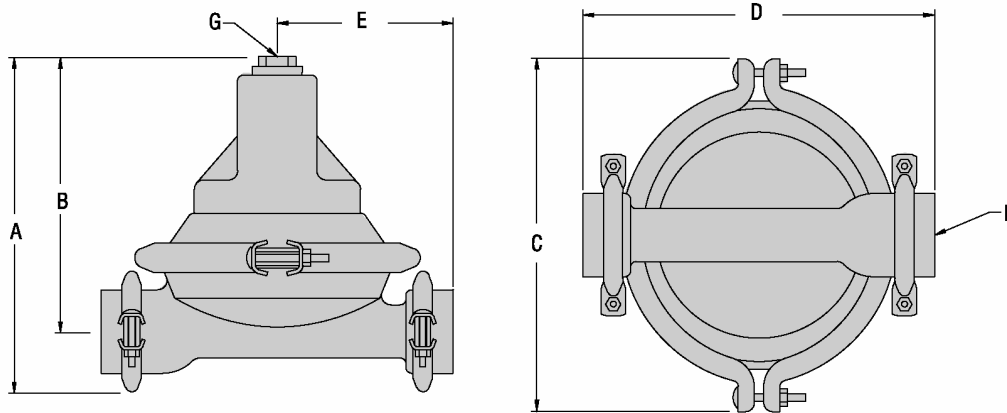


INCHES [mm]

DIMENSION	SD 1/2	SD 1/2	SD 1/2
	METAL	PLASTIC	TEFLON® PTFE
A	7 1/8 [181]	7 1/8 [181]	6 15/16 [176]
B	6 1/4 [159]	6 3/16 [157]	6 3/16 [157]
C	6 7/8 [175]	6 7/8 [175]	6 7/8 [175]
D	4 5/8 [117]	5 5/8 [143]	5 11/16 [145]
E	2 11/16 [68]	2 13/16 [71]	2 27/32 [72]
F	1/2" NPT or 1/2" BSP	1/2" NPT or 1/2" BSP	1/2" NPT or 1/2" BSP
G	1/8" NPT	1/8" NPT	1/8" NPT



SD1 DIMENSIONAL DRAWING



DIMENSION	INCHES [mm]	
	SD1 METAL	SD1 PLASTIC
A	11 [279]	11 1/2 [292]
B	9 [229]	9 1/4 [235]
C	11 3/8 [289]	11 3/8 [289]
D	11 5/8 [295]	15 1/16 [383]
E	5 13/16 [148]	7 1/2 [191]
F	1" NPT or 1" BSP	1" NPT or 1" BSP
G	1/2" NPT	1/2" NPT

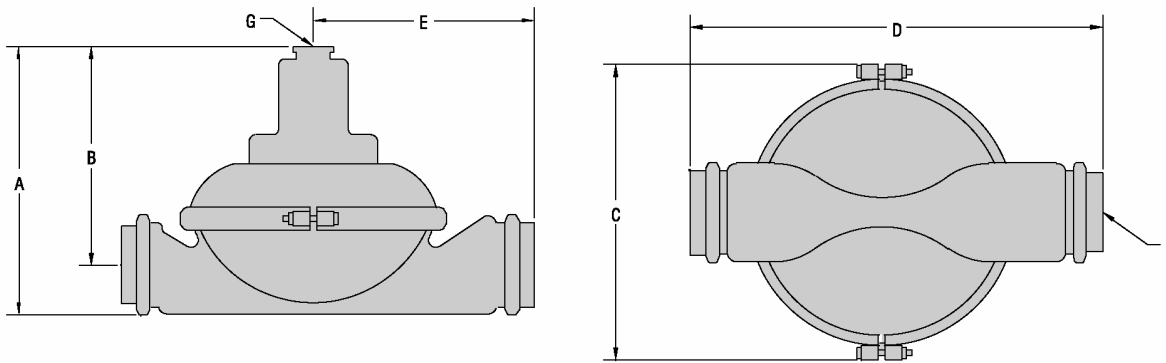
TECHNIQUES DES FLUIDES

10 Rue Jean Poulmarch, bat. 3
Z.I. Du Val d'Argent
95100 Argenteuil
Tel. : 01.34.11.13.73 / Fax : 01.34.11.96.35

E-mail : tdf@techniquesfluides.fr
Site web : www.techniquesfluides.fr



SD2 DIMENSIONAL DRAWING



INCHES [mm]

DIMENSION	SD2	
	METAL	PLASTIC
A	12 [305]	13 1/2 [343]
B	9 3/4 [248]	10 1/2 [267]
C	13 3/4 [349]	13 3/4 [349]
D	17 7/8 [454]	19 3/8 [492]
E	9 5/8 [244]	10 3/4 [273]
F	2 NPT	2 NPT
G	1/2 NPT	1/2 NPT