

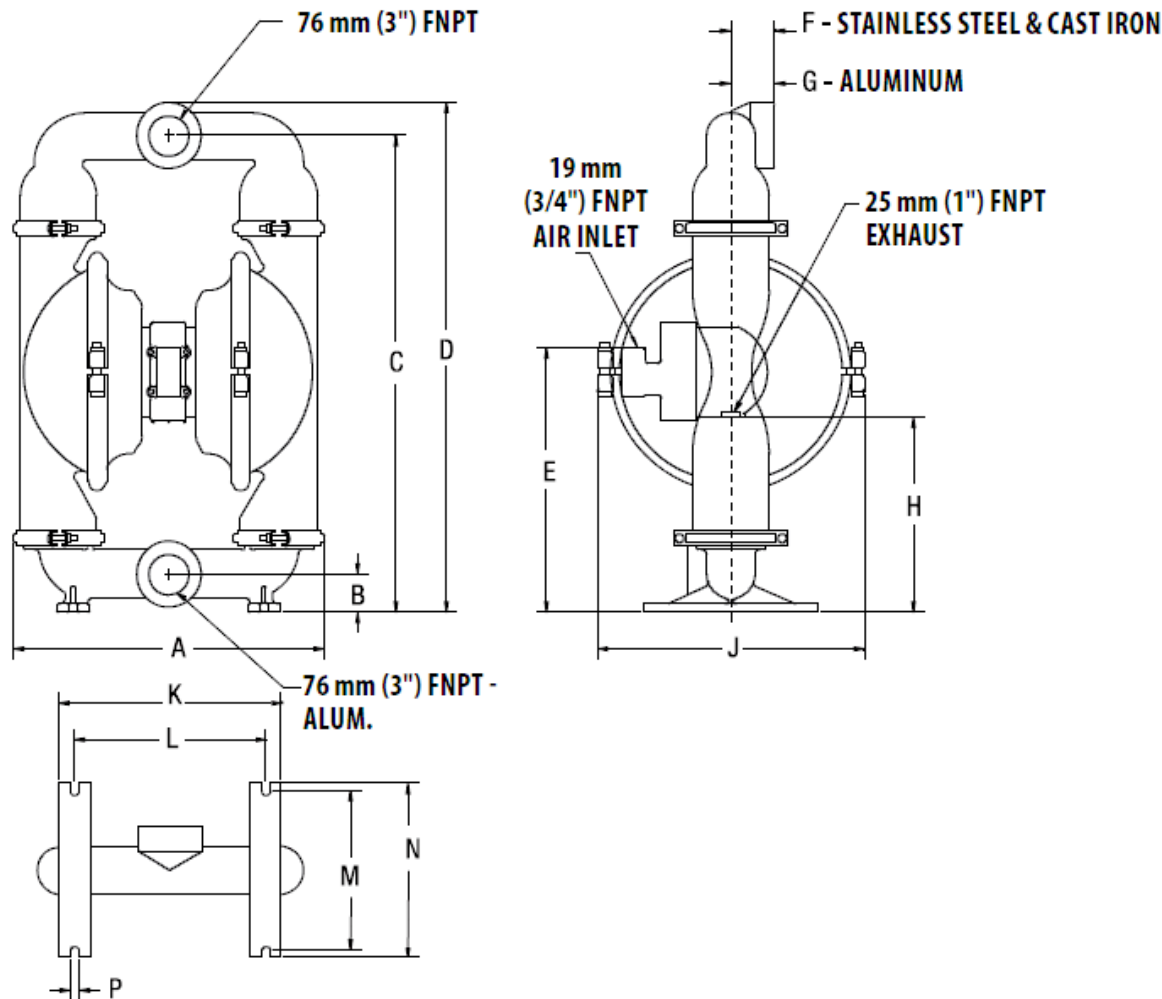
TECHNIQUES DES FLUIDES

7, Rue de la Fosse aux Loups
95100 Argenteuil
Tel. : 01.34.11.13.73 / Fax : 01.34.11.96.35

E-mail : tdf@techniquesfluides.fr
Site web : www.techniquesfluides.fr



TZ15 METAL



DIMENSIONS

ITEM	METRIC (mm)	STANDARD (inch)
A	505	19.9
B	58	2.3
C	762	30.0
D	823	32.4
E	419	16.5
F	71	2.8
G	69	2.7
H	312	12.3
J	427	16.8
K	361	14.2
L	305	12.0
M	259	10.2
N	282	11.1
P	15	0.6
R	71	2.8

BSPT threads available.

TECHNIQUES DES FLUIDES

7, Rue de la Fosse aux Loups
95100 Argenteuil
Tel. : 01.34.11.13.73 / Fax : 01.34.11.96.35

E-mail : tdf@techniquesfluides.fr
Site web : www.techniquesfluides.fr



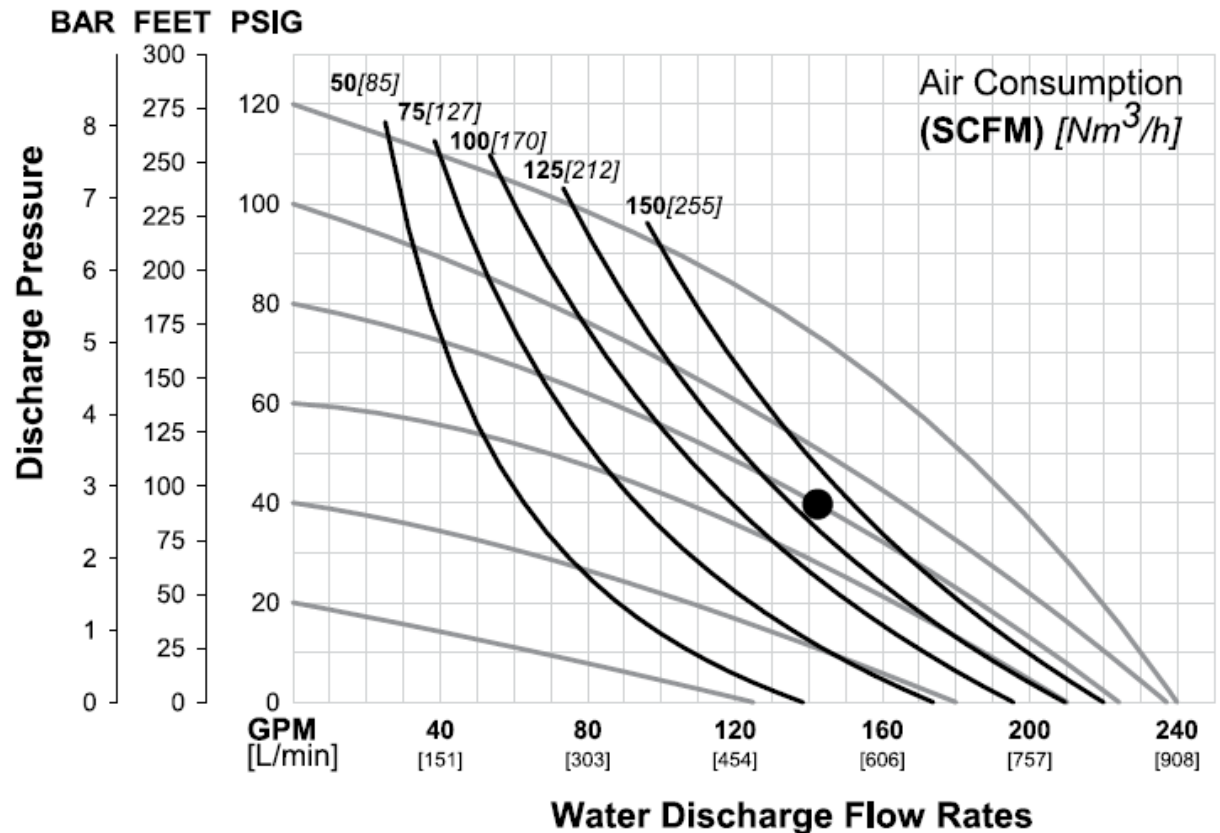
TZ15 METAL RUBBER-FITTED

Height..... 810 mm (31.9")
Width 432 mm (17.0")
Depth 279 mm (11.0")
Ship Weight Aluminum 53 kg (116 lbs.)
Cast Iron 91 kg (200 lbs.)
Air Inlet 19 mm (3/4")
Inlet..... 76 mm (3")
Outlet..... 76 mm (3")
Suction Lift..... 6.1 m Dry (19.9')
9.0 m Wet (29.5')
Disp. Per Stroke 5.3 l (1.40 gal.)¹
Max. Flow Rate 909 lpm (240 gpm)
Max. Size Solids..... 10 mm (25/64")

¹Displacement per stroke was calculated at 4.8 bar (70 psig) air inlet pressure against a 2 bar (30 psig) head pressure.

EXAMPLE: To pump 549 lpm (145 gpm) against a pressure of 2.8 bar (40 psi) requires 5.5 bar (80 psig) and 226.1 Nm³/h (133 scfm) air consumption. (See dot on chart.)

CAUTION: Do not exceed 8.6 bar (125 psig) air supply pressure.



Flow rates indicated on chart were determined by pumping water.

For optimum life and performance, pumps should be specified so that daily operation parameters will fall in the center of the pump performance curve.