

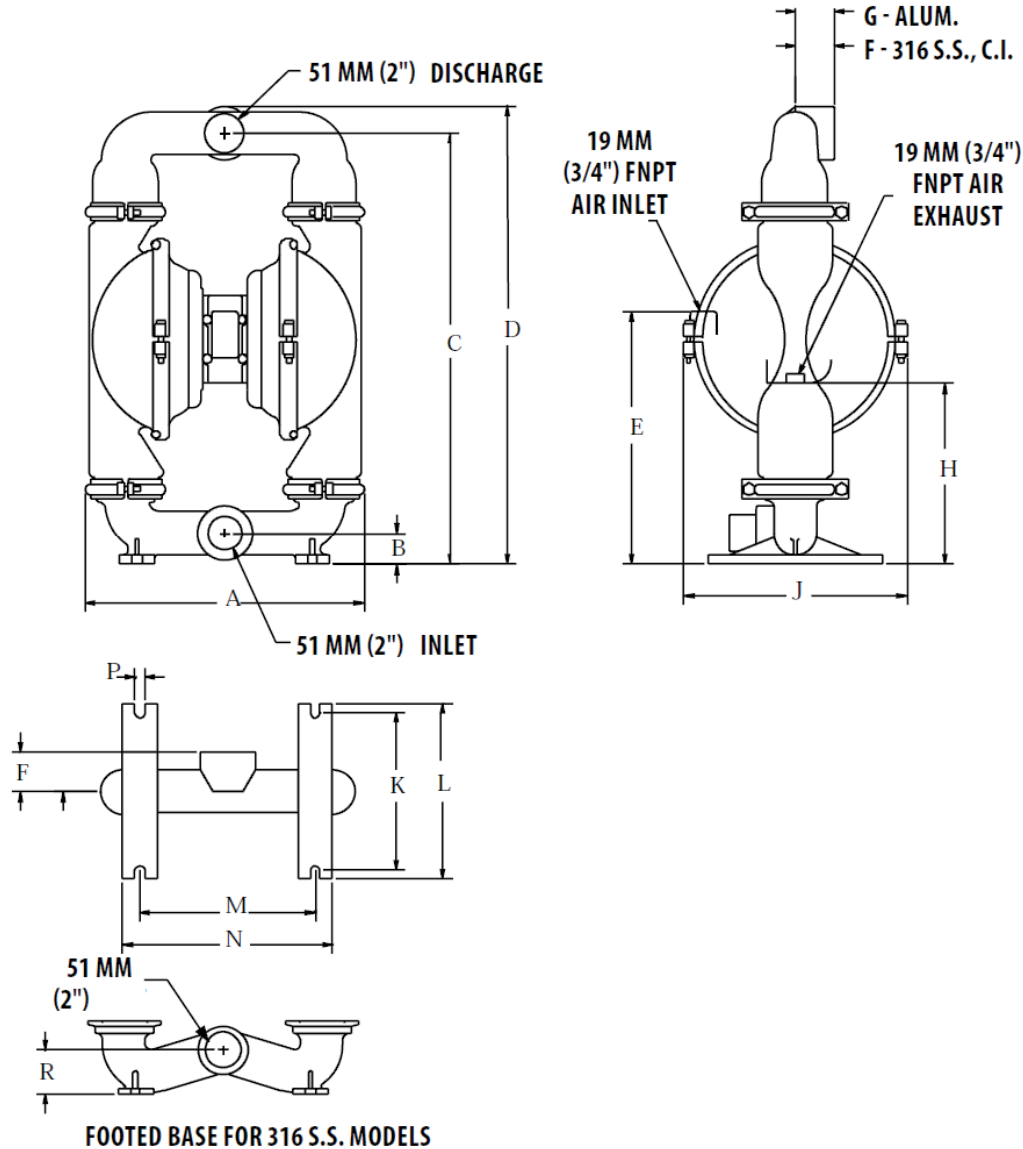
# TECHNIQUES DES FLUIDES

7, Rue de la Fosse aux Loups  
95100 Argenteuil  
Tel. : 01.34.11.13.73 / Fax : 01.34.11.96.35

E-mail : tdf@techniquesfluides.fr  
Site web : www.techniquesfluides.fr



## TZ8 METAL



## DIMENSIONS

ITEM	METRIC (mm)	STANDARD (inch)
A	404	15.9
B	48	1.9
C	630	24.8
D	668	26.3
E	361	14.2
F	58	2.3
G	61	2.4
H	272	10.7
J	343	13.5
K	229	9.0
L	254	10.0
M	257	10.1
N	312	12.3
P	15	0.6
R	64	2.5

*BSPT threads available.*

# TECHNIQUES DES FLUIDES

7, Rue de la Fosse aux Loups  
95100 Argenteuil  
Tel. : 01.34.11.13.73 / Fax : 01.34.11.96.35

E-mail : tdf@techniquesfluides.fr  
Site web : www.techniquesfluides.fr



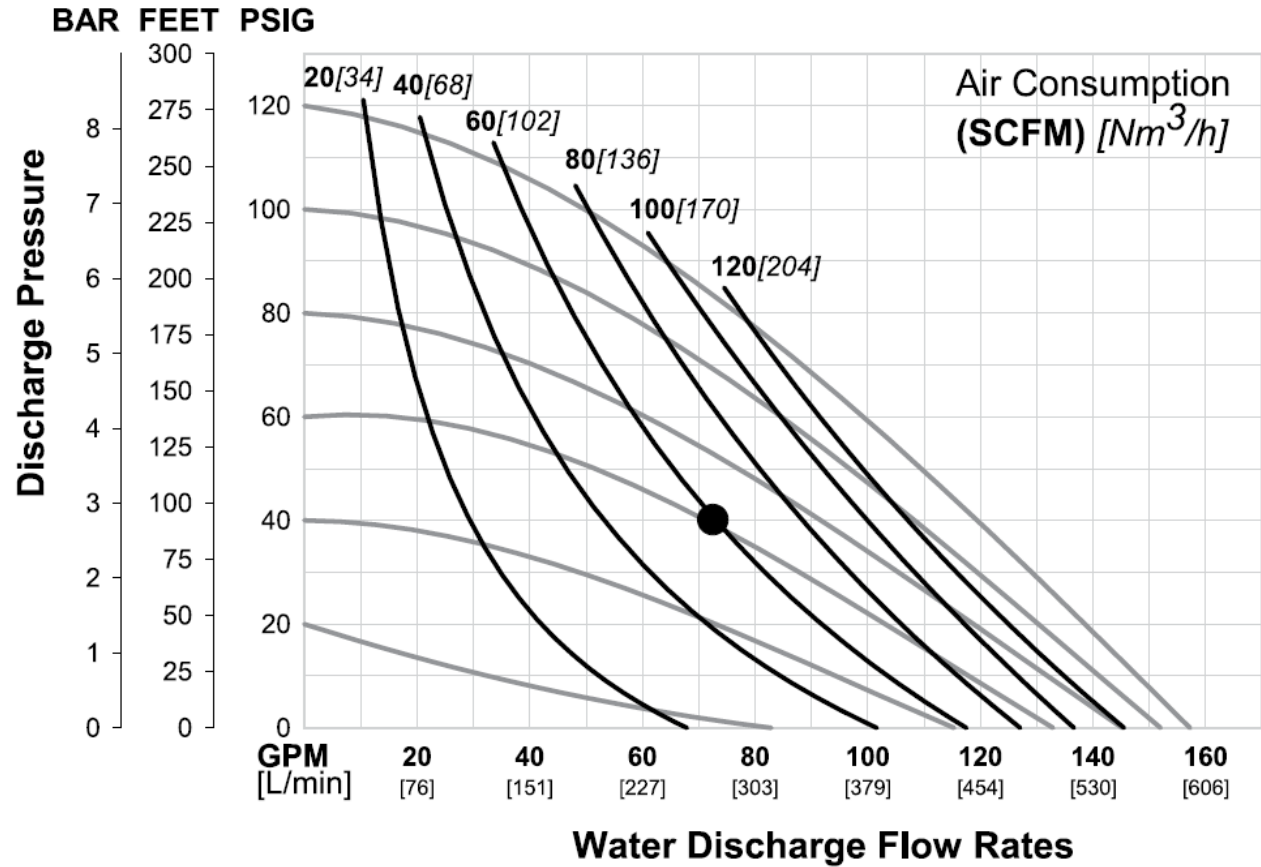
## TZ8 METAL RUBBER-FITTED

Height..... 668 mm (26.3")  
Width..... 404 mm (15.9")  
Depth..... 343 mm (13.5")  
Ship Weight..... Aluminum 33 kg (72 lbs.)  
Cast Iron 52 kg (114 lbs.)  
Air Inlet..... 19 mm (3/4")  
Inlet..... 51 mm (2")  
Outlet..... 51 mm (2")  
Suction Lift..... 6.6 m Dry (21.8')  
9.0 m Wet (29.5')  
Disp. Per Stroke..... 2.7 l (0.71 gal.)<sup>1</sup>  
Max. Flow Rate..... 595 lpm (157 gpm)  
Max. Size Solids..... 6.4 mm (1/4")

<sup>1</sup>Displacement per stroke was calculated at 4.8 bar (70 psig) air inlet pressure against a 2 bar (30 psig) head pressure.

**Example:** To pump 276 lpm (73 gpm) against a pressure of 2.8 bar (40 psi) requires 4.1 bar (60 psig) and 105.4 Nm<sup>3</sup>/h (62 scfm) air consumption. (See dot on chart.)

**CAUTION: Do not exceed 8.6 bar (125 psig) air supply pressure.**



Flow rates indicated on chart were determined by pumping water.

For optimum life and performance, pumps should be specified so that daily operation parameters will fall in the center of the pump performance curve.