

# TECHNIQUES DES FLUIDES

10 Rue Jean Poulmarch, bat. 3

Z.I. Du Val d'Argent

95100 Argenteuil

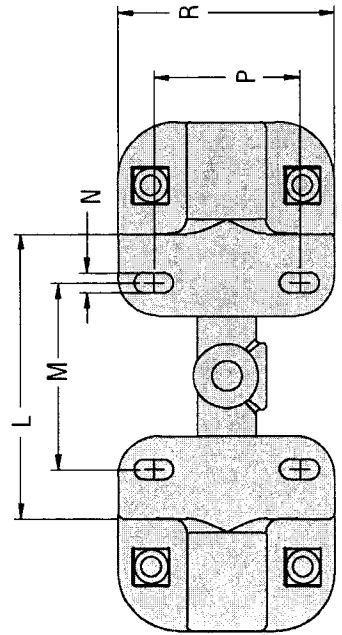
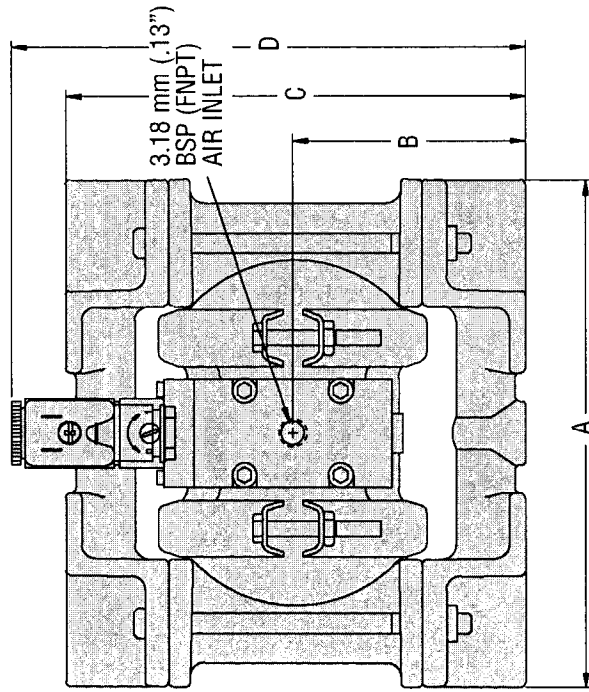
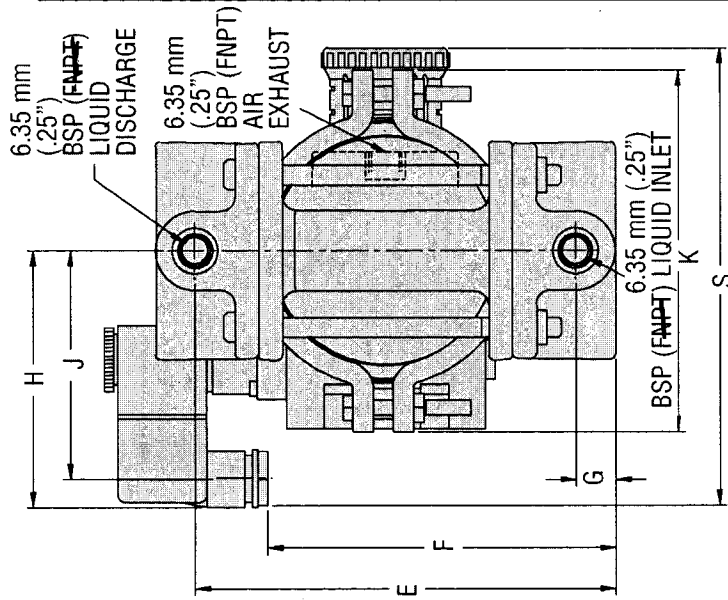
Tel. : 01.34.11.13.73 / Fax : 01.34.11.96.35

E-mail : [tdf@techniquesfluides.fr](mailto:tdf@techniquesfluides.fr)

Site web : [www.techniquesfluides.fr](http://www.techniquesfluides.fr)



## WILDEN MODEL A.025T METAL ACCU-FLO™



DIMENSIONS - A.025 ACCU-FLO™		
ITEM	METRIC (mm)	STANDARD (inch)
A	165	6.50
B	73	2.88
C	148	5.84
D	140	5.53
E	133	5.25
F	107	4.22
G	13	.50
H	95	3.75
J	73	2.88
K	114	4.50
L	92	3.63
M	60	2.38
N	6	.25
P	47	1.84
R	70	2.75
S	148	5.81

# TECHNIQUES DES FLUIDES

10 Rue Jean Poulmarch, bat. 3

Z.I. Du Val d'Argent

95100 Argenteuil

Tel. : 01.34.11.13.73 / Fax : 01.34.11.96.35

E-mail : [tdf@techniquesfluides.fr](mailto:tdf@techniquesfluides.fr)

Site web : [www.techniquesfluides.fr](http://www.techniquesfluides.fr)

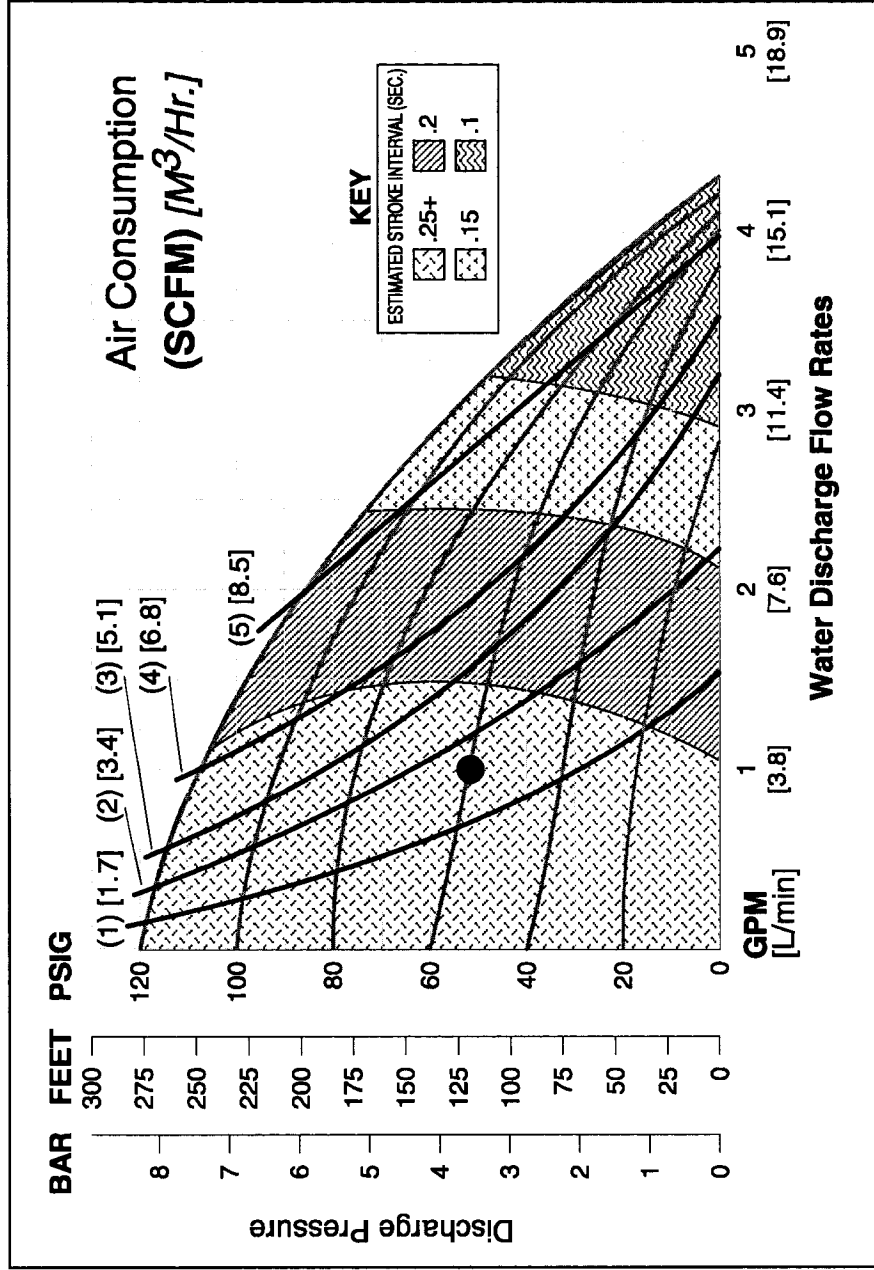


## MODEL A.025T METAL RUBBER-FITTED

Height.....	140 mm (5.53")
Width .....	165 mm (6.50")
Depth .....	148 mm (5.81")
Ship Weight... Aluminum	2.2 kg (4.8 lbs.)
Stainless Steel	5.0 kg (11 lbs.)
Hastelloy®	5.2 kg (11.5 lbs.)
Air Inlet .....	3.18 mm (1/8")
Inlet.....	6.35 mm (1/4")
Outlet.....	6.35 mm (1/4")
Suction Lift.....	5.36 m (17.6' Dry)
	10.02 m (32.9' Wet)
Displacement per stroke	
	0.24 l (.006 gal.)
Max. Flow Rate .....	16.3 lpm (4.3 gpm)
Max. Size Solids.....	0.4 mm (1/64")

**Example:** To pump 3.8 lpm (1 gpm) against a discharge pressure head of 3.6 Bar (52 psig) requires 4.1 Bar (60 psig) and 2.7 Nm<sup>3</sup>/h (1.6 scfm) air consumption.

**Caution: Do not exceed 8.6 Bar (125 psig) air supply pressure.**



Flow rates indicated on chart were determined by pumping water.

For optimum life and performance, pumps should be specified so that daily operation parameters will fall in the center of the pump performance curve.

# TECHNIQUES DES FLUIDES

10 Rue Jean Poulmarch, bat. 3

Z.I. Du Val d'Argent

95100 Argenteuil

Tel. : 01.34.11.13.73 / Fax : 01.34.11.96.35

E-mail : [tdf@techniquesfluides.fr](mailto:tdf@techniquesfluides.fr)

Site web : [www.techniquesfluides.fr](http://www.techniquesfluides.fr)

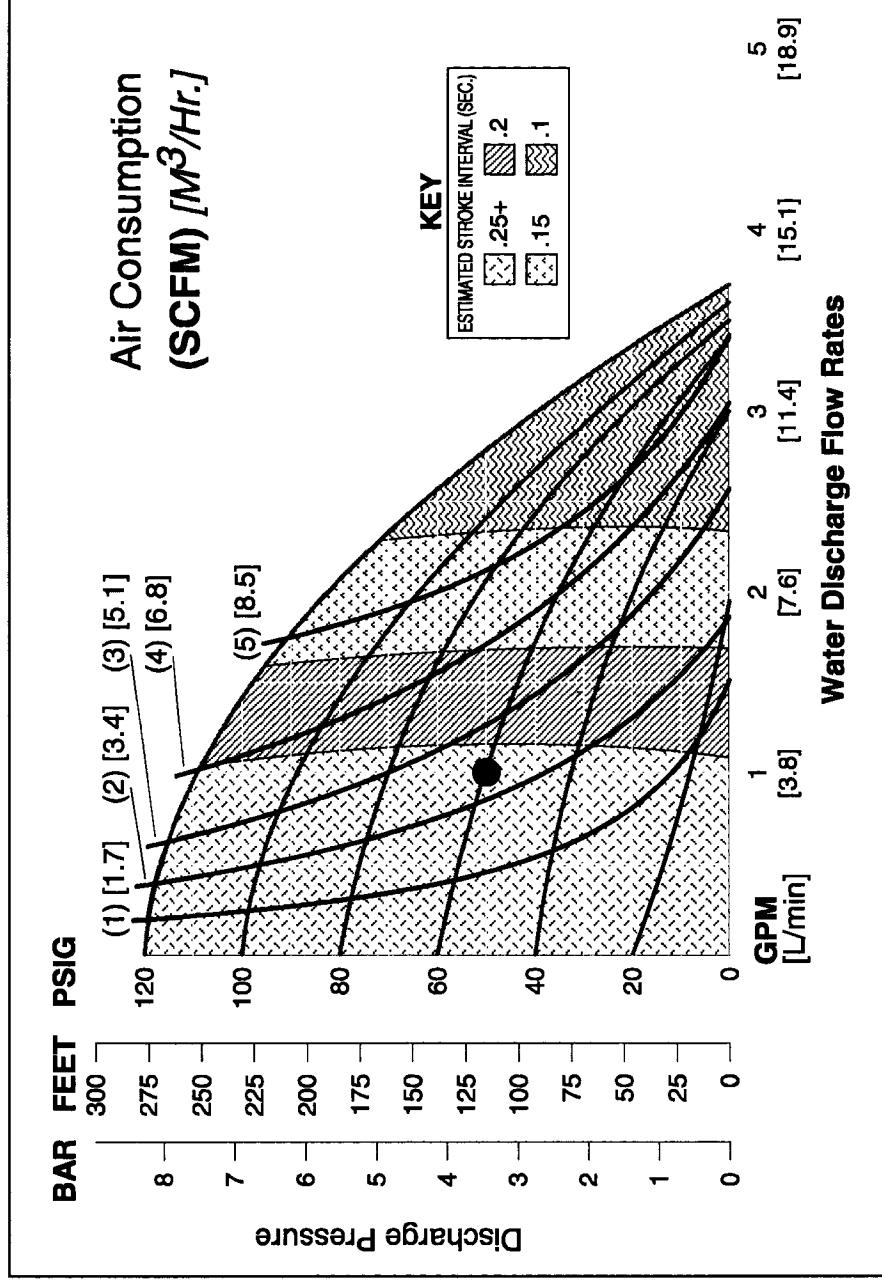


## MODEL A.025T METAL TEFLON-FITTED

Height.....	140 mm (5.53")
Width .....	165 mm (6.50")
Depth .....	148 mm (5.81")
Ship Weight... Aluminum	2.2 kg (4.8 lbs.)
Stainless Steel	5.0 kg (11 lbs.)
Hastelloy®	5.2 kg (11.5 lbs.)
Air Inlet .....	3.18 mm (1/8")
Inlet.....	6.35 mm (1/4")
Outlet .....	6.35 mm (1/4")
Suction Lift .....	4.32 m (14.2' Dry)
10.02 m (32.9' Wet)	
Displacement per stroke	
.....	0.017 l (.005 gal.)
Max. Flow Rate .....	14.0 lpm (3.7 gpm)
Max. Size Solids.....	0.4 mm (1/64")

**Example:** To pump 3.8 lpm (1 gpm) against a discharge pressure head of 3.4 Bar (50 psig) requires 4.1 Bar (60 psig) and 4.08 Nm<sup>3</sup>/h (2.4 scfm) air consumption.

**Caution: Do not exceed 8.6 Bar (125 psig) air supply pressure.**



Flow rates indicated on chart were determined by pumping water.

For optimum life and performance, pumps should be specified so that daily operation parameters will fall in the center of the pump performance curve.

# TECHNIQUES DES FLUIDES

10 Rue Jean Poulmarch, bat. 3

Z.I. Du Val d'Argent

95100 Argenteuil

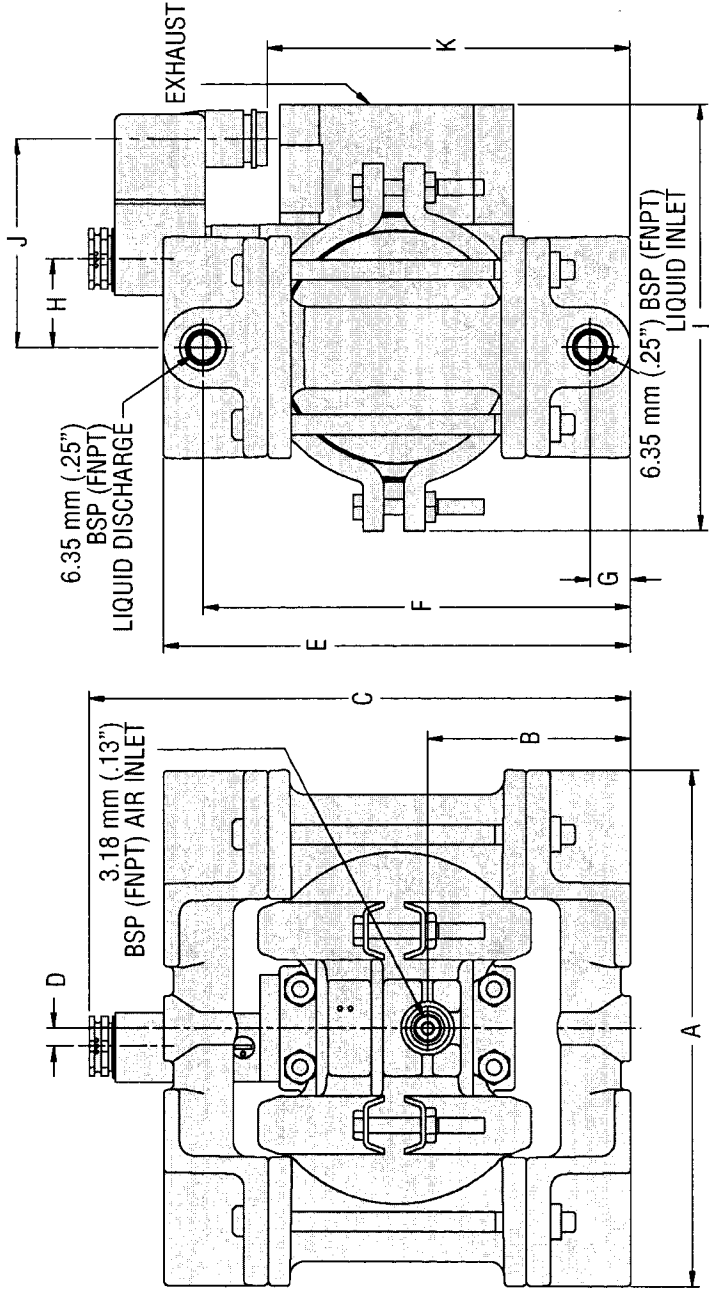
Tel. : 01.34.11.13.73 / Fax : 01.34.11.96.35

E-mail : [tdf@techniquesfluides.fr](mailto:tdf@techniquesfluides.fr)

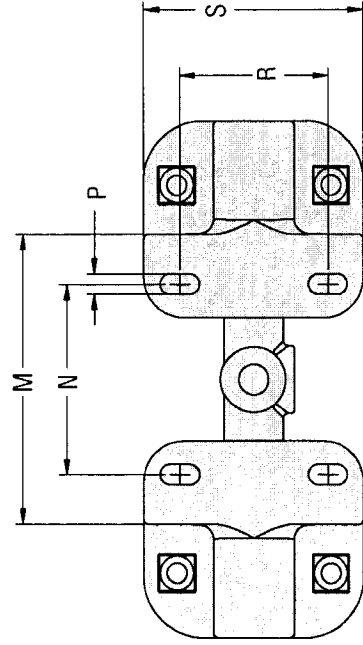
Site web : [www.techniquesfluides.fr](http://www.techniquesfluides.fr)



## WILDEN MODEL A.025P METAL ACCU-FLO™



DIMENSIONS – A.025 ACCU-FLO™		
ITEM	METRIC (mm)	STANDARD (inch)
A	165	6.50
B	64	2.53
C	171	6.72
D	6	.25
E	148	5.84
F	133	5.25
G	13	.50
H	27	1.09
J	66	2.59
K	114	4.50
L	134	5.28
M	92	3.63
N	60	2.38
P	6	.25
R	47	1.84
S	70	2.75



# TECHNIQUES DES FLUIDES

10 Rue Jean Poulmarch, bat. 3

Z.I. Du Val d'Argent

95100 Argenteuil

Tel. : 01.34.11.13.73 / Fax : 01.34.11.96.35

E-mail : tdf@techniquesfluides.fr

Site web : www.techniquesfluides.fr



## MODEL A.025P METAL RUBBER-FITTED

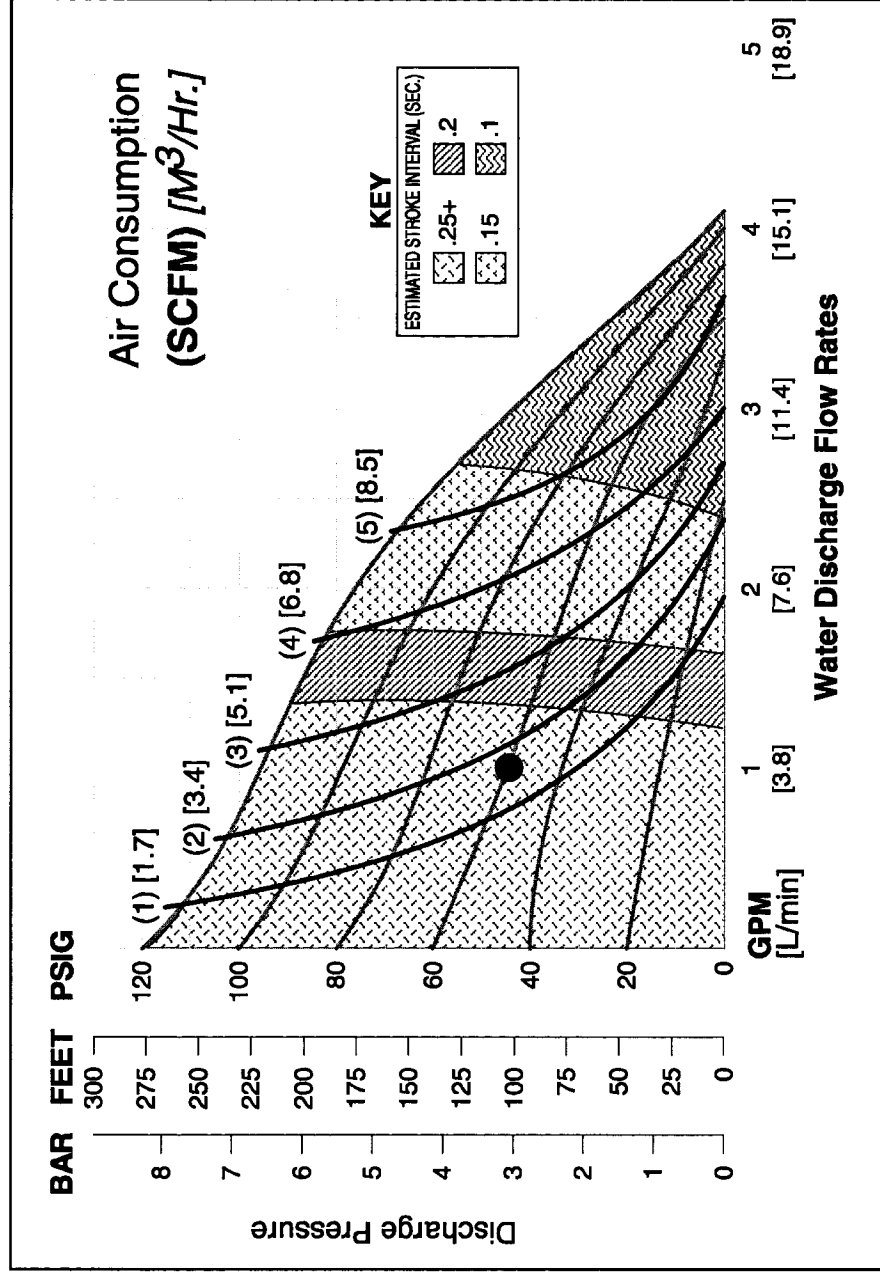
Height.....	171 mm (6.72")
Width .....	165 mm (6.50")
Depth .....	134 mm (5.28")
Ship Weight...Aluminum	2.2 kg (4.8 lbs.)
Stainless Steel	5.0 kg (11 lbs.)
Hastelloy®	5.2 kg (11.5 lbs.)
Air Inlet .....	3.18 mm (1/8")
Inlet.....	6.35 mm (1/4")
Outlet .....	6.35 mm (1/4")
Suction Lift .....	4.49 m (14.7' Dry)
	9.33 m (30.6' Wet)

### Displacement per stroke

.....	0.019 l (.005 gal.)
Max. Flow Rate .....	15.51 lpm (4.1 gpm)
Max. Size Solids.....	0.4 mm (1/64")

**Example:** To pump 3.8 lpm (1 gpm) against a discharge pressure head of 3.0 Bar (44 psig) requires 4.1 Bar (60 psig) and 2.72 Nm<sup>3</sup>/h (1.6 scfm) air consumption.

**Caution: Do not exceed 8.6 Bar (125 psig) air supply pressure.**



Flow rates indicated on chart were determined by pumping water.

For optimum life and performance, pumps should be specified so that daily operation parameters will fall in the center of the pump performance curve.

# TECHNIQUES DES FLUIDES

10 Rue Jean Poulmarch, bat. 3

Z.I. Du Val d'Argent

95100 Argenteuil

Tel. : 01.34.11.13.73 / Fax : 01.34.11.96.35

E-mail : [tdf@techniquesfluides.fr](mailto:tdf@techniquesfluides.fr)

Site web : [www.techniquesfluides.fr](http://www.techniquesfluides.fr)

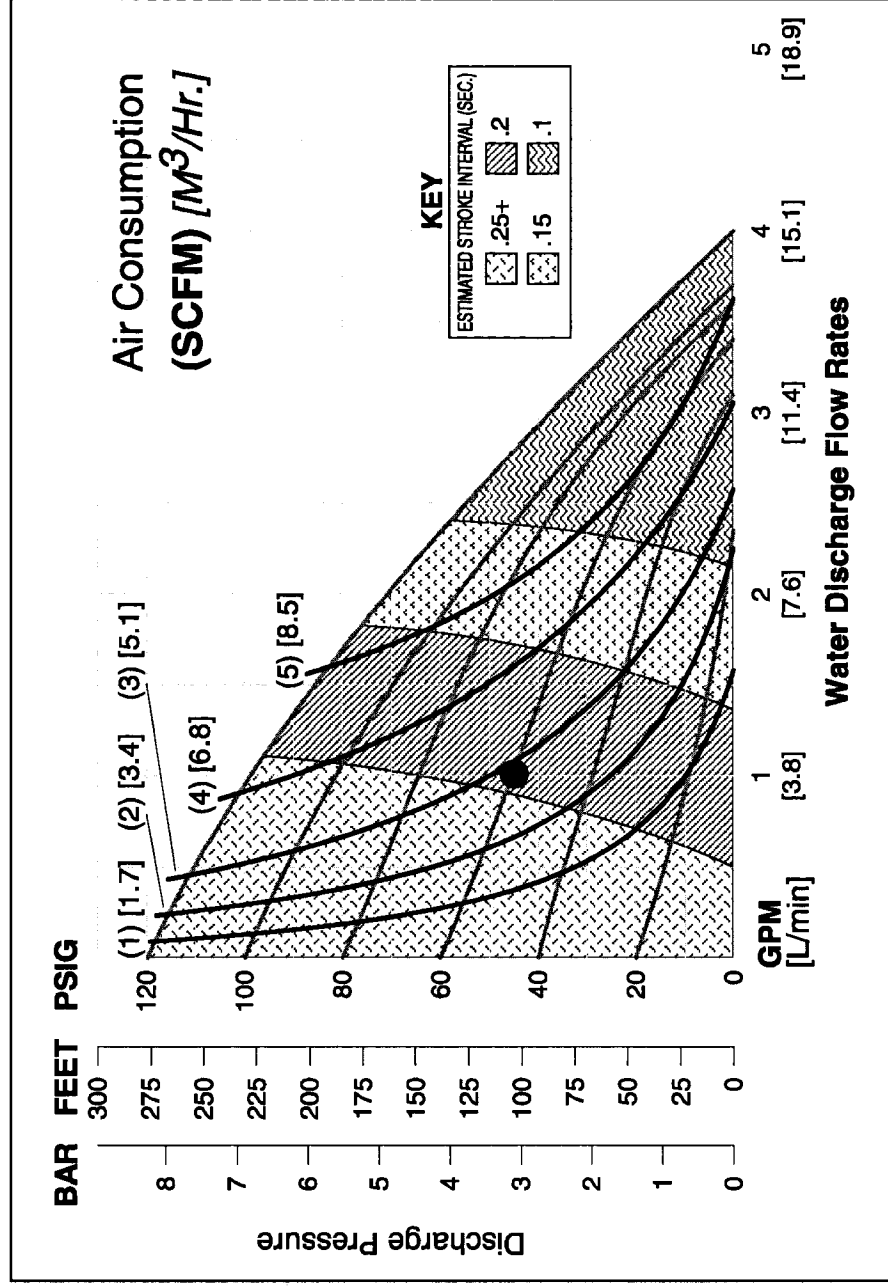


## MODEL A.025P METAL TEFLON-FITTED

Height.....	171 mm (6.72")
Width .....	165 mm (6.50")
Depth .....	134 mm (5.28")
Ship Weight...Aluminum	2.2 kg (4.8 lbs.)
Stainless Steel	5.0 kg (11 lbs.)
Hastelloy®	5.2 kg (11.5 lbs.)
Air Inlet.....	3.18 mm (1/8")
Inlet.....	6.35 mm (1/4")
Outlet.....	6.35 mm (1/4")
Suction Lift.....	3.80 m (12.5' Dry)
Wet	9.33 m (30.6')
Displacement per stroke	
.....	0.02 l (.005 gal.)
Max. Flow Rate .....	15.1 lpm (4.0 gpm)
Max. Size Solids.....	0.4 mm (1/64")

**Example:** To pump 3.8 lpm (1 gpm) against a discharge pressure head of 3.1 Bar (45 psig) requires 4.1 Bar (60 psig) and 4.93 Nm<sup>3</sup>/h (2.9 scfm) air consumption.

**Caution: Do not exceed 8.6 Bar (125 psig) air supply pressure.**



Flow rates indicated on chart were determined by pumping water.

For optimum life and performance, pumps should be specified so that daily operation parameters will fall in the center of the pump performance curve.

# TECHNIQUES DES FLUIDES

10 Rue Jean Poulmarch, bat. 3

Z.I. Du Val d'Argent

95100 Argenteuil

Tel. : 01.34.11.13.73 / Fax : 01.34.11.96.35

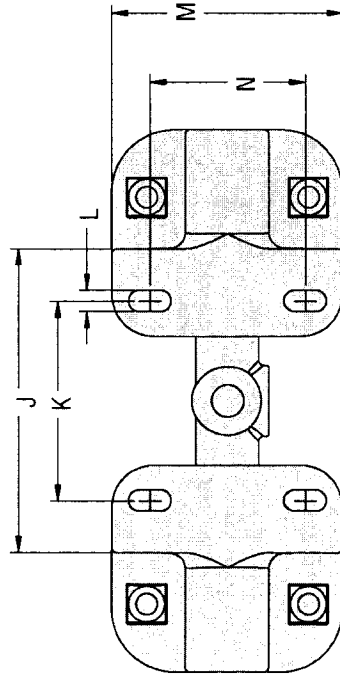
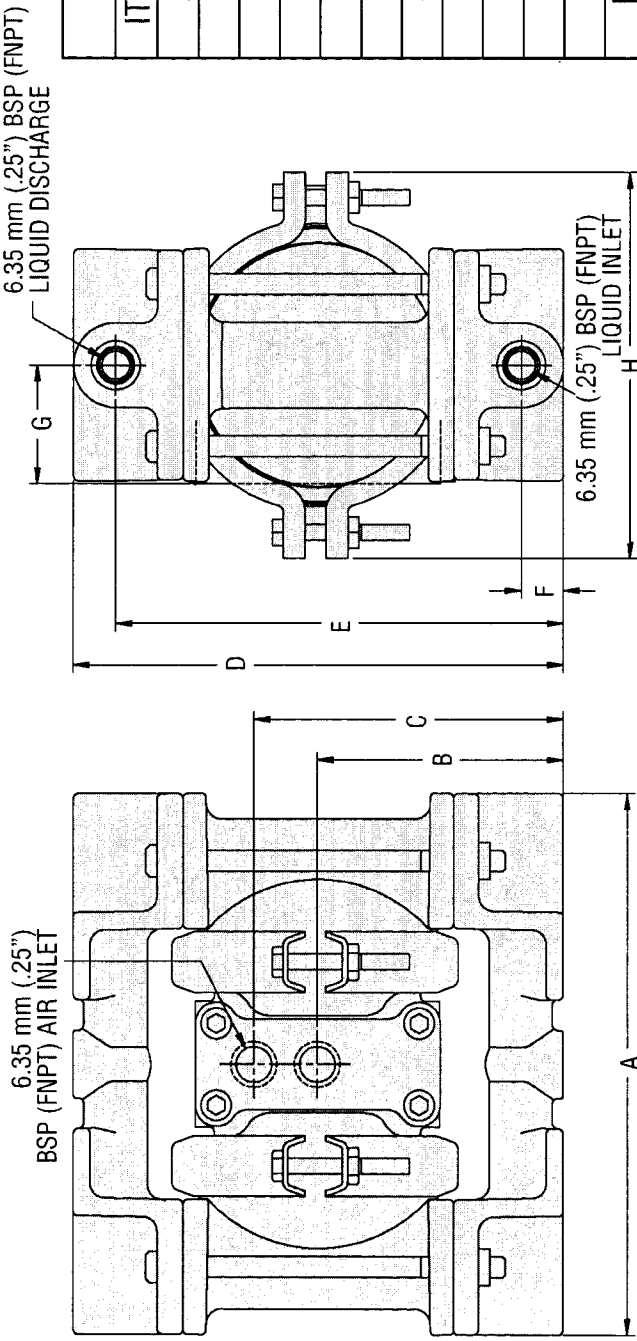
E-mail : [tdf@techniquesfluides.fr](mailto:tdf@techniquesfluides.fr)

Site web : [www.techniquesfluides.fr](http://www.techniquesfluides.fr)



## WILDEN MODEL A.025B METAL (P-SERIES CENTER SECTION)

6.35 mm (.25") BSP (FNPT)  
LIQUID DISCHARGE



DIMENSIONS - A.025 ACCU-FLO™			
ITEM	METRIC (mm)	STANDARD	(inch)
A	165		6.50
B	74		2.91
C	93		3.66
D	148		5.84
E	133		5.25
F	13		.50
G	36		1.41
H	114		4.50
J	92		3.63
K	60		2.38
L	6		.25
M	70		2.75
N	47		1.84

# TECHNIQUES DES FLUIDES

10 Rue Jean Poulmarch, bat. 3

Z.I. Du Val d'Argent

95100 Argenteuil

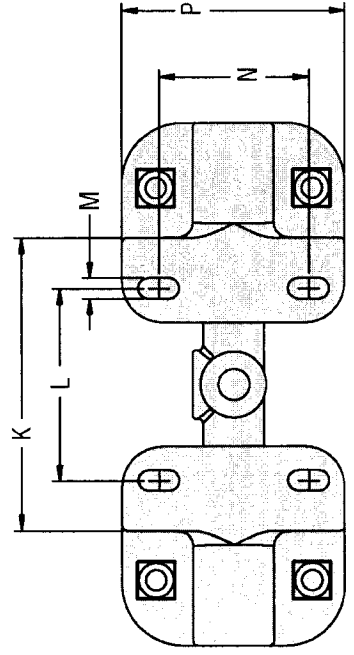
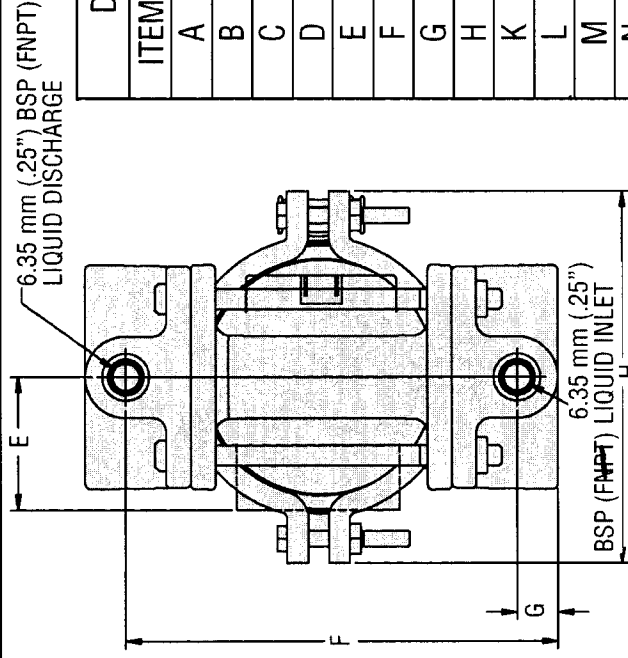
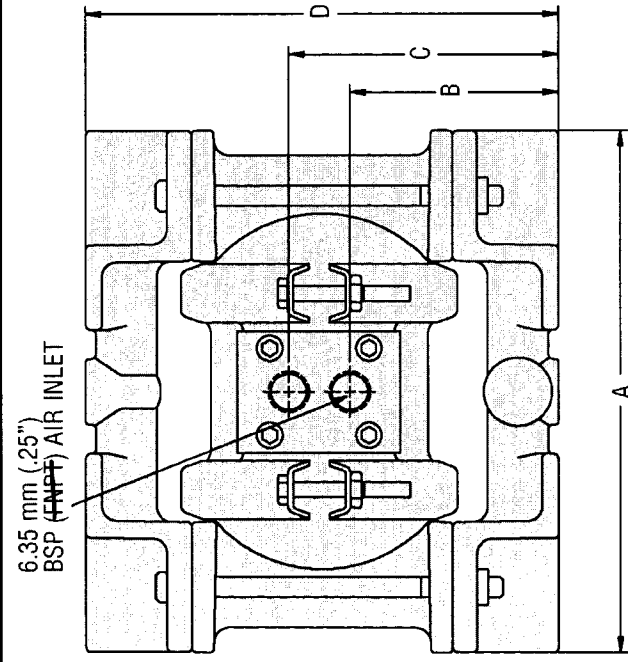
Tel. : 01.34.11.13.73 / Fax : 01.34.11.96.35

E-mail : [tdf@techniquesfluides.fr](mailto:tdf@techniquesfluides.fr)

Site web : [www.techniquesfluides.fr](http://www.techniquesfluides.fr)



## WILDEN MODEL A.025B METAL (T-SERIES CENTER SECTION)



ITEM	DIMENSIONS - A.025 ACCU-FLO™	
	METRIC (mm)	STANDARD (inch)
A	165	6.50
B	65	2.56
C	84	3.31
D	148	5.84
E	41	1.63
F	133	5.25
G	13	.50
H	114	4.50
K	92	3.63
L	60	2.38
M	6	.25
N	47	1.84
P	70	2.75