

TECHNIQUES DES FLUIDES

10 Rue Jean Poulmarch, bat. 3

Z.I. Du Val d'Argent

95100 Argenteuil

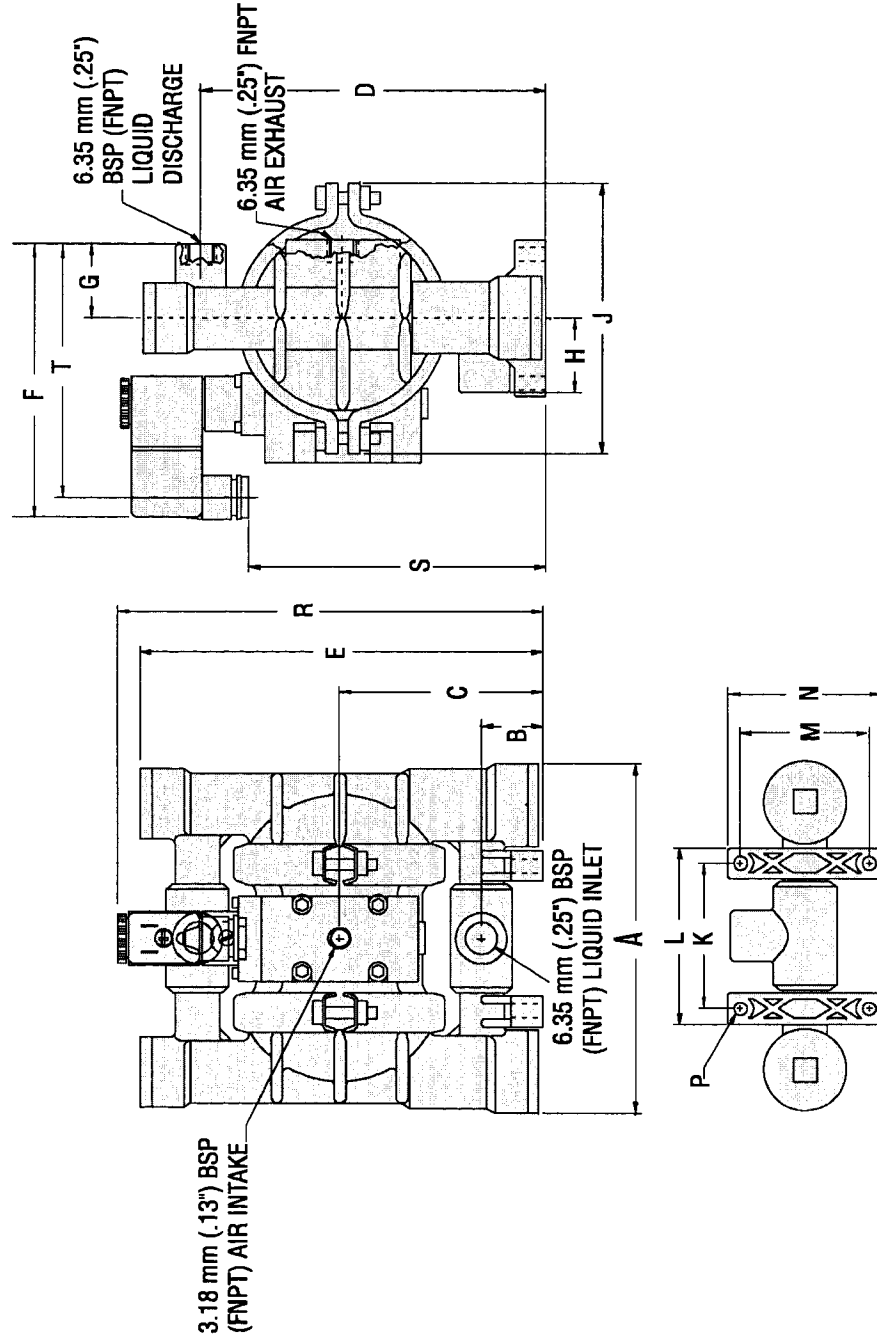
Tel. : 01.34.11.13.73 / Fax : 01.34.11.96.35

E-mail : tdf@techniquesfluides.fr

Site web : www.techniquesfluides.fr



WILDEN MODEL A.025T PLASTIC ACCU-FLO™



DIMENSIONS – A.025 ACCU-FLO™			
ITEM	METRIC (mm)	STANDARD	(inch)
A	145		5.69
B	25		1.00
C	84		3.31
D	140		5.53
E	163		6.44
F	80		3.13
G	30		1.19
H	30		1.19
J	115		4.53
K	61		2.41
L	75		2.94
M	53		2.09
N	64		2.53
P	6		.22
R	176		6.94
S	124		4.88
T	72		2.84

TECHNIQUES DES FLUIDES

10 Rue Jean Poulmarch, bat. 3
Z.I. Du Val d'Argent
95100 Argenteuil

Tel. : 01.34.11.13.73 / Fax : 01.34.11.96.35
E-mail : tdf@techniquesfluides.fr
Site web : www.techniquesfluides.fr



MODEL A.025T PLASTIC RUBBER-FITTED

Height.....176 mm (6.94")
Width145 mm (5.69")
Depth107 mm (4.20")
Ship Weight 1.4 kg (Polypropylene 3 lbs.)
1.4 kg (PVDF 3 lbs.)
Air Inlet 3.18 mm (1/8")
Inlet.....6.35 mm (1/4")
Outlet6.35 mm (1/4")
Suction Lift.....2.94 m (9.6' Dry)
9.32 m (30.6' Wet)

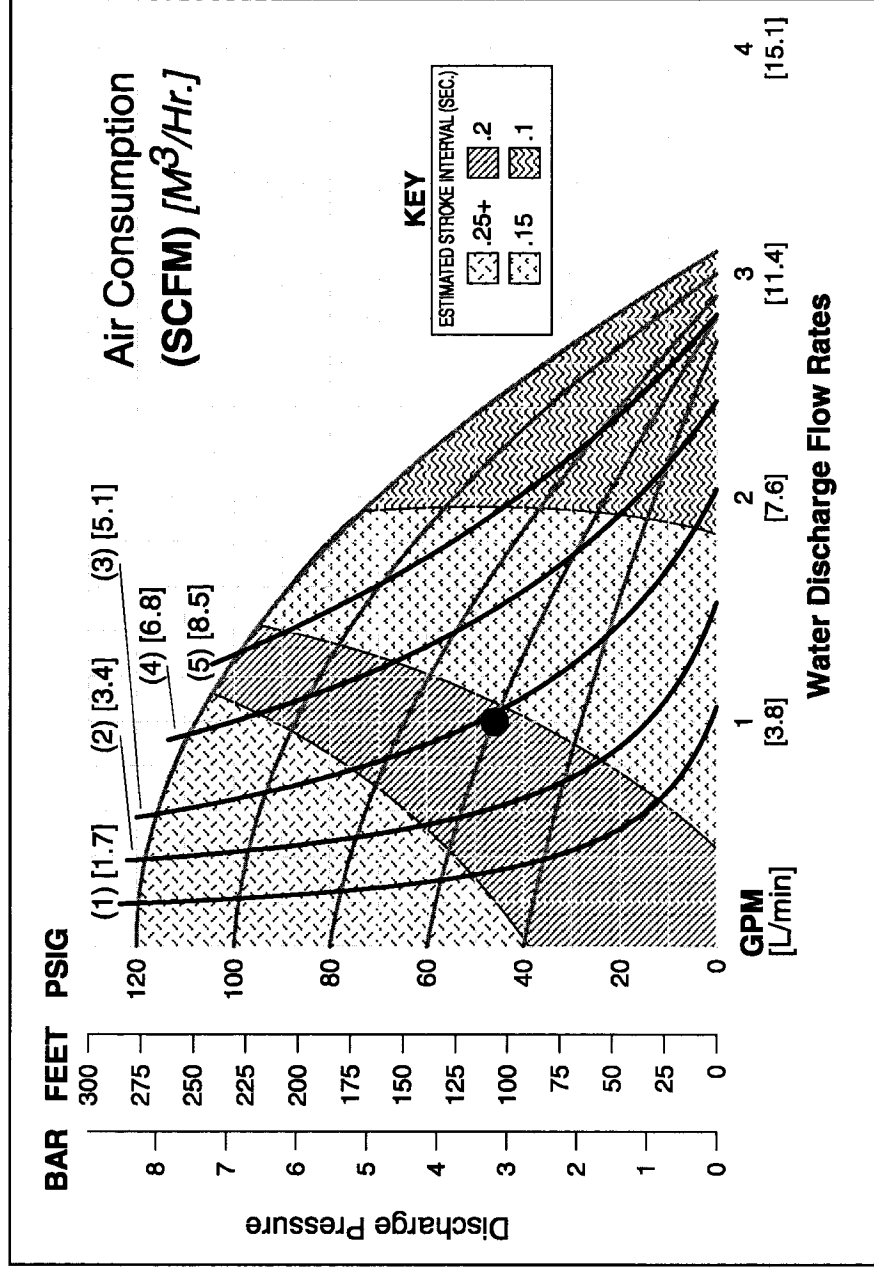
Displacement per

Stroke016 l (0.004 gal.)
Max. Flow Rate11.7 lpm (3.1 gpm)
Max. Size Solids......4 mm (1/64")

'Displacement per stroke was calculated at 4.8 Bar (70 psig) air inlet pressure against a 2 Bar (30 psig) head pressure.

Example: To pump 3.8 lpm (1 gpm) against a discharge pressure head of 3.2 Bar (46 psig) requires 4.1 Bar (60 psig) and 8.3 Nm³/h (2.9 scfm) air consumption.

Caution: Do not exceed 8.6 Bar (125 psig) air supply pressure.



Flow rates indicated on chart were determined by pumping water.

For optimum life and performance, pumps should be specified so that daily operation parameters will fall in the center of the pump performance curve.

TECHNIQUES DES FLUIDES

10 Rue Jean Poulmarch, bat. 3

Z.I. Du Val d'Argent

95100 Argenteuil

Tel. : 01.34.11.13.73 / Fax : 01.34.11.96.35

E-mail : tdf@techniquesfluides.fr

Site web : www.techniquesfluides.fr



MODEL A.025T PLASTIC TEFLON®-FITTED

Height.....	176 mm (6.94")
Width	145 mm (5.67")
Depth	107 mm (4.20")
Ship Weight 1.4 kg (Polypropylene 3 lbs.)	
1.4 kg (PVDF 3 lbs.)	
Air Inlet.....	3.18 mm (1/8")
Inlet.....	6.35 mm (1/4")
Outlet	6.35 mm (1/4")
Suction Lift.....	4.32 m (14.2' Dry)
	9.32 m (30.6' Wet)

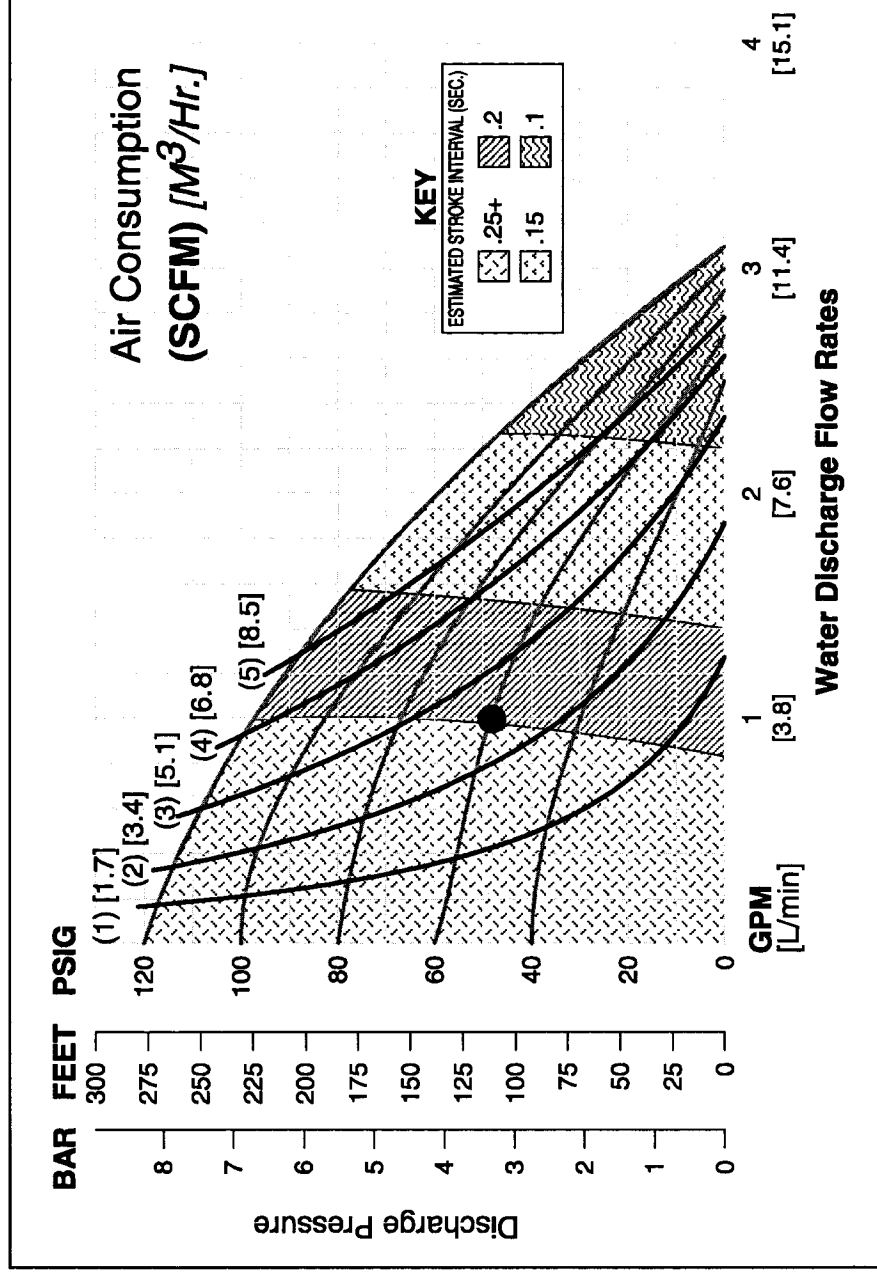
Displacement per

Stroke.....	..017 l (.005 gal.) ¹
Max. Flow Rate	11.7 lpm (3.1 gpm)
Max. Size Solids	4 mm (1/64")

¹Displacement per stroke was calculated at 4.8 Bar (70 psig) air inlet pressure against a 2 Bar (30 psig) head pressure.

Example: To pump 3.8 lpm (1 gpm) against a discharge pressure head of 3.4 Bar (49 psig) requires 4.1 Bar (60 psig) and 4.3 Nm³/h (2.5 scfm) air consumption.

Caution: Do not exceed 8.6 Bar (125 psig) air supply pressure.



Flow rates indicated on chart were determined by pumping water.

For optimum life and performance, pumps should be specified so that daily operation parameters will fall in the center of the pump performance curve.

TECHNIQUES DES FLUIDES

10 Rue Jean Poulimarch, bat. 3

Z.I. Du Val d'Argent

95100 Argenteuil

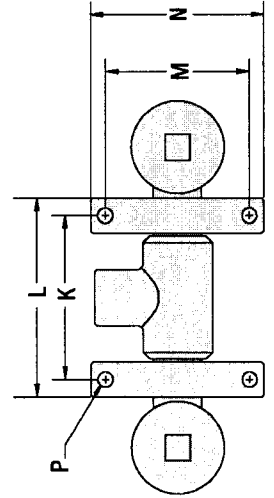
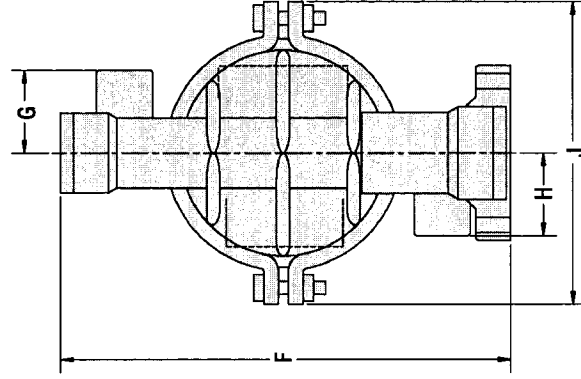
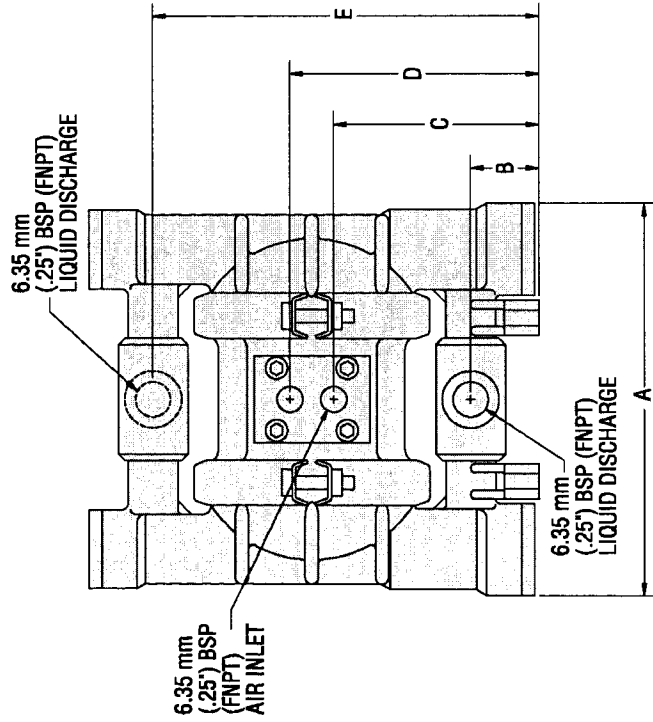
Tel. : 01.34.11.13.73 / Fax : 01.34.11.96.35

E-mail : tdf@techniquesfluides.fr

Site web : www.techniquesfluides.fr



WILDEN MODEL A.025B PLASTIC ACCU-FLO™ (T-SERIES CENTER SECTION)



DIMENSIONS – A.025 ACCU-FLO™			
ITEM	METRIC (mm)	STANDARD (inch)	
A	145	5.69	
B	4	1.00	
C	75	2.94	
D	94	3.69	
E	140	5.53	
F	164	6.44	
G	30	1.19	
H	30	1.19	
J	115	4.53	
K	61	2.41	
L	75	2.94	
M	53	2.09	
N	64	2.53	
P	6	.22	

TECHNIQUES DES FLUIDES

10 Rue Jean Poulmarch, bat. 3

Z.I. Du Val d'Argent

95100 Argenteuil

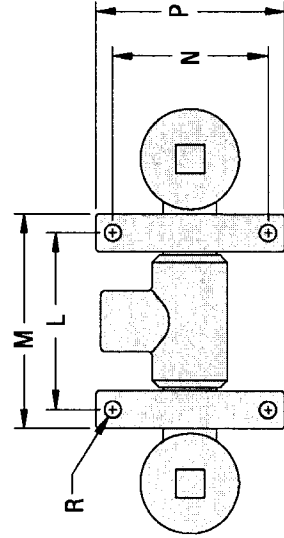
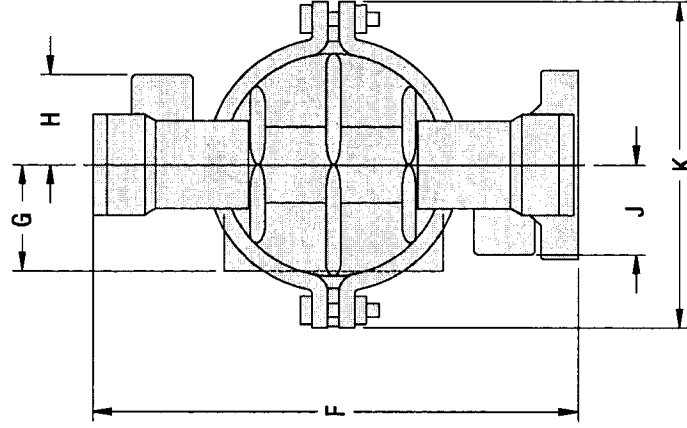
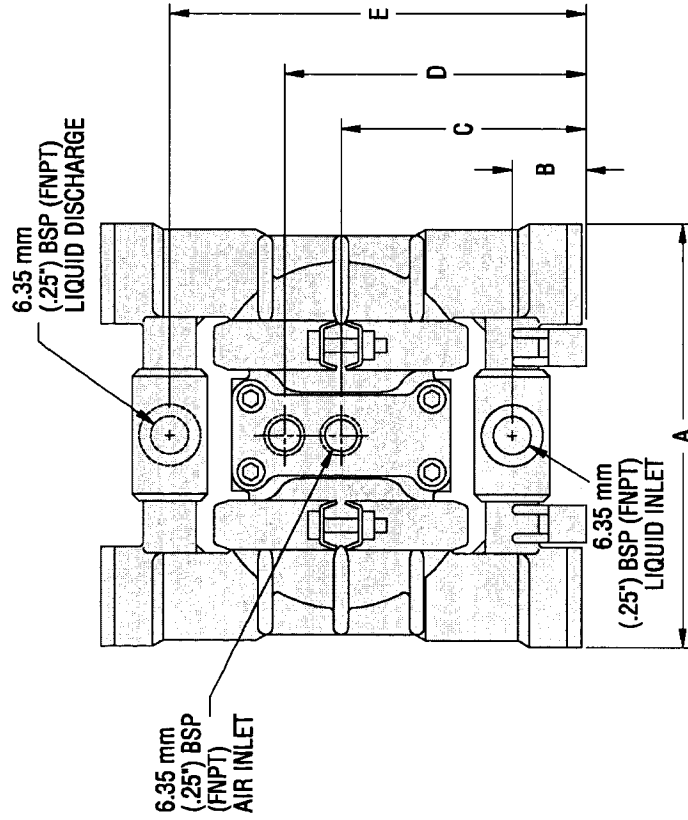
Tel. : 01.34.11.13.73 / Fax : 01.34.11.96.35

E-mail : tdf@techniquesfluides.fr

Site web : www.techniquesfluides.fr



WILDEN MODEL A.025B PLASTIC ACCU-FLO™ (P-SERIES CENTER SECTION)



ITEM	DIMENSIONS – A.025 ACCU-FLO™	
	METRIC (mm)	STANDARD (inch)
A	145	5.69
B	25	1.00
C	84	3.31
D	140	5.53
E	163	6.44
F	5	3.13
G	80	1.19
H	80	1.19
J	115	4.53
K	61	2.41
L	75	2.94
M	53	2.09
N	64	2.53
P	6	.22
R	176	6.96

TECHNIQUES DES FLUIDES

10 Rue Jean Poulmarch, bat. 3

Z.I. Du Val d'Argent

95100 Argenteuil

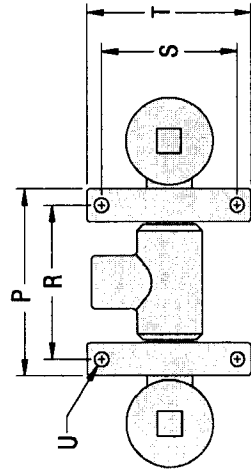
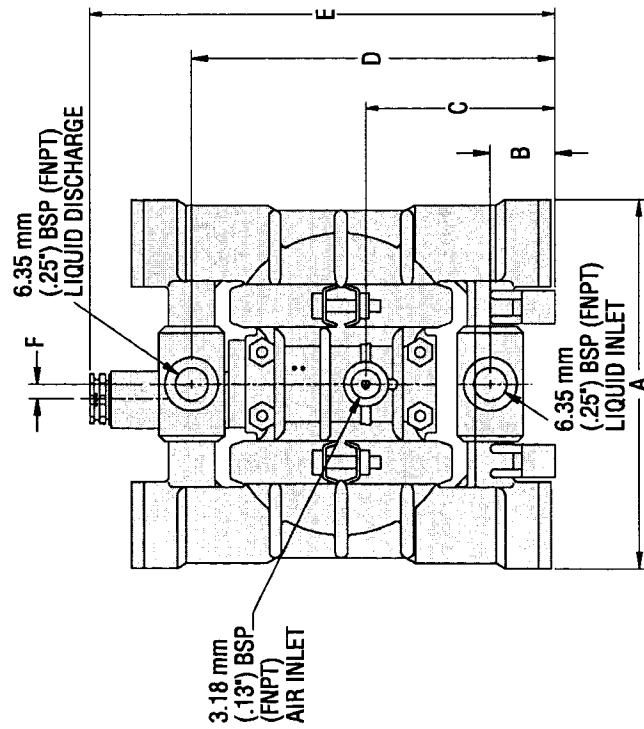
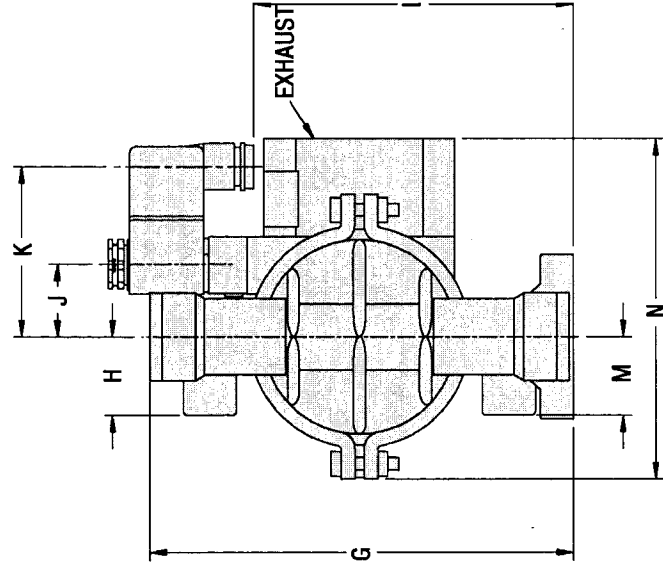
Tel. : 01.34.11.13.73 / Fax : 01.34.11.96.35

E-mail : tdf@techniquesfluides.fr

Site web : www.techniquesfluides.fr



WILDEN MODEL A.025P PLASTIC ACCU-FLO™



DIMENSIONS – A.025 ACCU-FLO™		
ITEM	METRIC (mm)	STANDARD (inch)
A	145	5.69
B	25	1.00
C	74	2.91
D	140	5.53
E	179	7.06
F	6	.25
G	163	6.44
H	30	1.19
J	28	1.09
K	66	2.59
L	123	4.84
M	30	1.19
N	132	5.19
P	75	2.94
R	61	2.41
S	53	2.09
T	64	2.53
U	6	.22

TECHNIQUES DES FLUIDES

10 Rue Jean Poulmarch, bat. 3

Z.I. Du Val d'Argent

95100 Argenteuil

Tel. : 01.34.11.13.73 / Fax : 01.34.11.96.35

E-mail : tdf@techniquesfluides.fr

Site web : www.techniquesfluides.fr



MODEL A.025P PLASTIC RUBBER-FITTED

Height.....	179 mm (7.06")
Width	145 mm (5.69")
Depth	132 mm (5.19")
Ship Weight	1.4 kg (Polypropylene 3 lbs.)
	1.4 kg (PVDF 3 lbs.)
Air Inlet	3.18 mm (1/8")
Inlet.....	6.35 mm (1/4")
Outlet.....	6.35 mm (1/4")
Suction Lift	4.14 m (13.6' Dry)
	9.32 m (30.6' Wet)

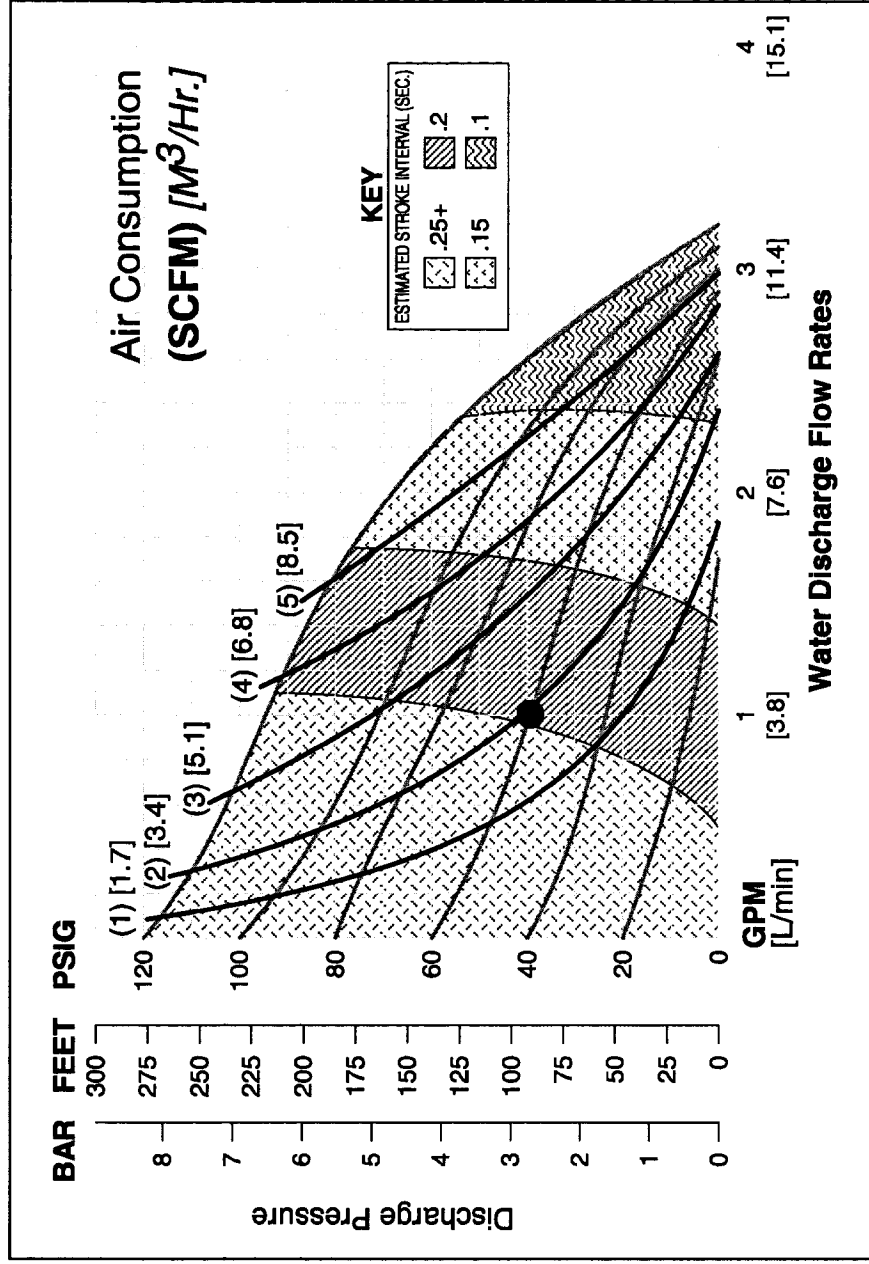
Displacement per

Stroke018 l (0.005 gal.) ¹
Max. Flow Rate	12.1 lpm (3.2 gpm)
Max. Size Solids.....	4 mm (1/64")

¹Displacement per stroke was calculated at 4.8 Bar (70 psig) air inlet pressure against a 2 Bar (30 psig) head pressure.

Example: To pump 3.8 lpm (1 gpm) against a discharge pressure head of 2.8 Bar (40 psig) requires 4.1 Bar (60 psig) and 3.2 Nm³/h (1.9 scfm) air consumption.

Caution: Do not exceed 8.6 Bar (125 psig) air supply pressure.



Flow rates indicated on chart were determined by pumping water.

For optimum life and performance, pumps should be specified so that daily operation parameters will fall in the center of the pump performance curve.

TECHNIQUES DES FLUIDES

10 Rue Jean Poulmarch, bat. 3

Z.I. Du Val d'Argent

95100 Argenteuil

Tel. : 01.34.11.13.73 / Fax : 01.34.11.96.35

E-mail : tdf@techniquesfluides.fr

Site web : www.techniquesfluides.fr



MODEL A.025P PLASTIC TEFLON®-FITTED

Height.....	179 mm (7.06")
Width	145 mm (5.69")
Depth	132 mm (5.19")
Ship Weight 1.4 kg (Polypropylene 3 lbs.)	
1.4 kg (PVDF 3 lbs.)	
Air Inlet	3.18 mm (1/8")
Inlet.....	6.35 mm (1/4")
Outlet	6.35 mm (1/4")
Suction Lift.....	3.96 m (13.0' Dry)
	9.32 m (30.6' Wet)

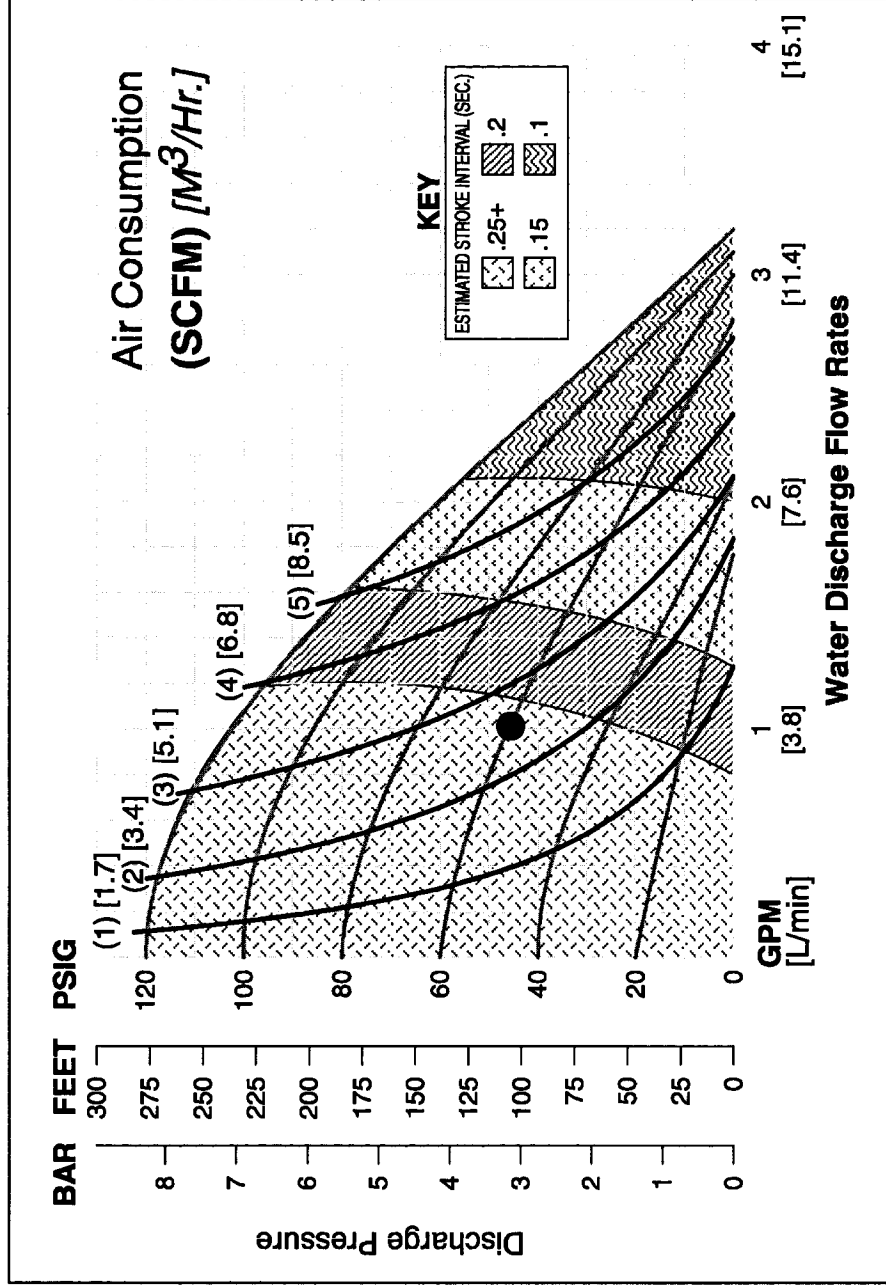
Displacement per

Stroke017 l (0.005 gal.) ¹
Max. Flow Rate	11.7 lpm (3.1 gpm)
Max. Size Solids.....	4 mm (1/64")

¹Displacement per stroke was calculated at 4.8 Bar (70 psig) air inlet pressure against a 2 Bar (30 psig) head pressure.

Example: To pump 3.8 lpm (1 gpm) against a discharge pressure head of 3.4 Bar (49 psig) requires 4.1 Bar (60 psig) and 4.3 Nm³/h (2.5 scfm) air consumption.

Caution: Do not exceed 8.6 Bar (125 psig) air supply pressure.



Flow rates indicated on chart were determined by pumping water.

For optimum life and performance, pumps should be specified so that daily operation parameters will fall in the center of the pump performance curve.