

# TECHNIQUES DES FLUIDES

10 Rue Jean Poulmarch, bat. 3

Z.I. Du Val d'Argent

95100 Argenteuil

Tel. : 01.34.11.13.73 / Fax : 01.34.11.96.35

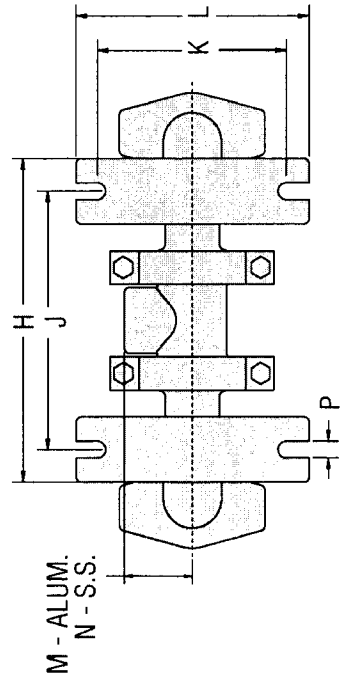
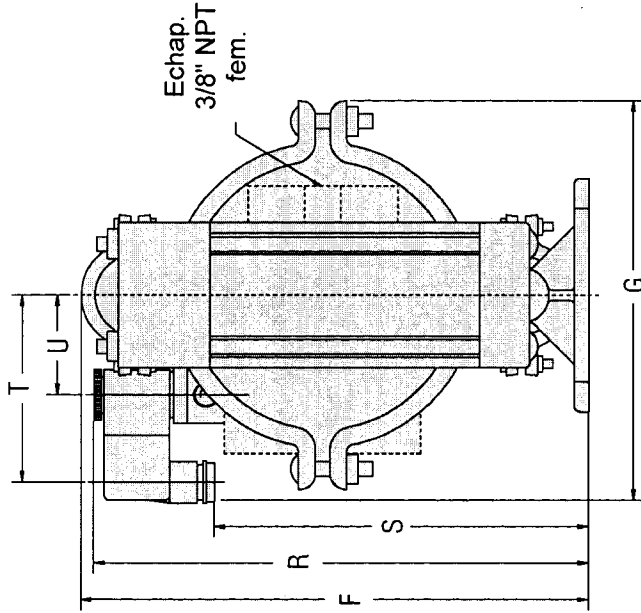
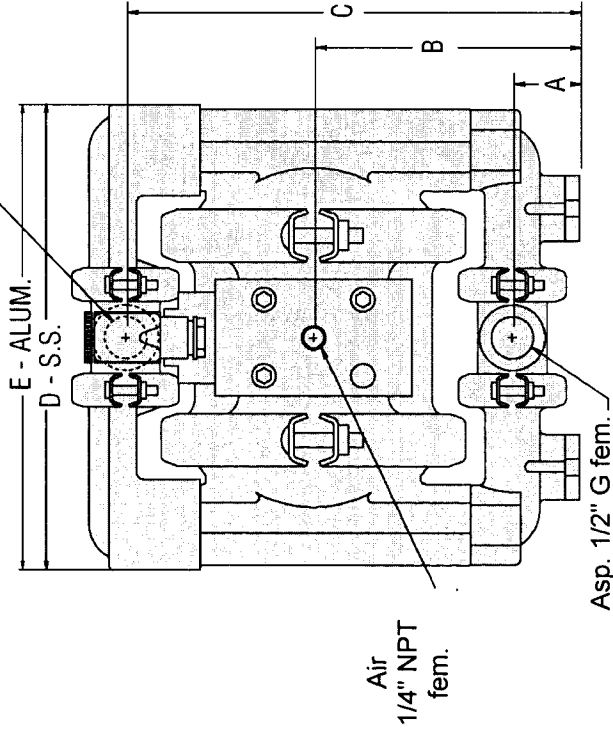
E-mail : [tdf@techniquesfluides.fr](mailto:tdf@techniquesfluides.fr)

Site web : [www.techniquesfluides.fr](http://www.techniquesfluides.fr)



## WILDEN MODEL A1T METAL ACCU-FLO™

Ref. 1/2" G fem.



DIMENSIONS – A1T - ACCU-FLO™ (METAL)			
ITEM	METRIC (mm)	STANDARD	(inch)
A	29		1.13
B	109		4.31
C	198		7.81
D	203		8.00
E	207		8.16
F	222		8.75
G	175		6.90
H	140		5.50
J	112		4.41
K	83		3.25
L	102		4.00
M	30		1.19
N	30		1.19
P	7		.28
R	226		8.88
S	162		6.38
T	82		3.22
U	44		1.75

# TECHNIQUES DES FLUIDES

10 Rue Jean Poulmarch, bat. 3

Z.I. Du Val d'Argent

95100 Argenteuil

Tel. : 01.34.11.13.73 / Fax : 01.34.11.96.35

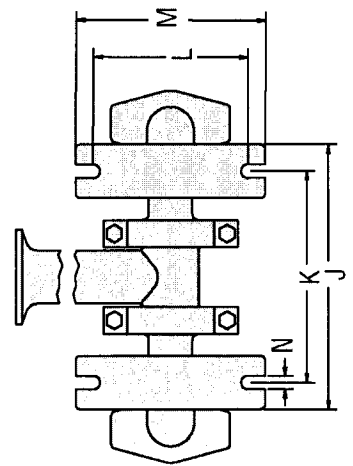
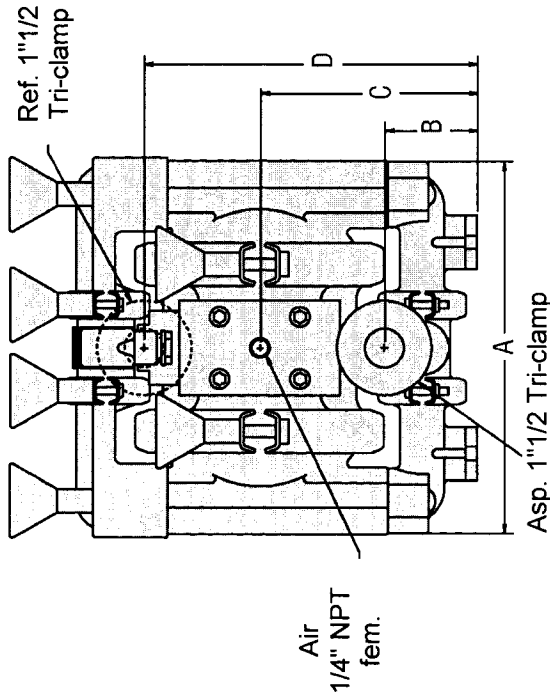
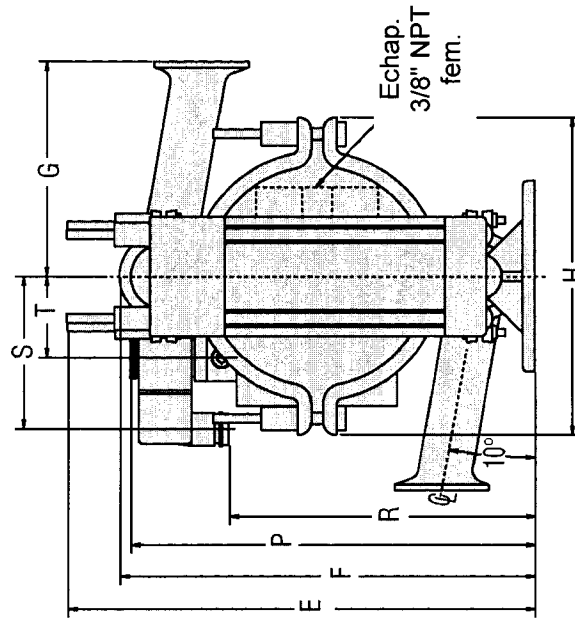
E-mail : [tdf@techniquesfluides.fr](mailto:tdf@techniquesfluides.fr)

Site web : [www.techniquesfluides.fr](http://www.techniquesfluides.fr)



## WILDEN MODEL A1T METAL SANIFLO FDA ACCU-FLO™

DIMENSIONS – A1T ACCU-FLO (SANIFLO <sup>FDA</sup> )		
ITEM	METRIC (mm)	STANDARD (inch)
A	203	8.00
B	48	1.89
C	109	4.31
D	175	6.90
E	254	10.00
F	222	8.75
G	114	4.50
H	175	6.88
J	140	5.50
K	112	4.41
L	83	3.25
M	102	4.00
N	7	.28
P	226	8.88
R	162	6.38
S	82	3.22
T	44	1.75



# TECHNIQUES DES FLUIDES

10 Rue Jean Poulmarch, bat. 3

Z.I. Du Val d'Argent

95100 Argenteuil

Tel. : 01.34.11.13.73 / Fax : 01.34.11.96.35

E-mail : [tdf@techniquesfluides.fr](mailto:tdf@techniquesfluides.fr)

Site web : [www.techniquesfluides.fr](http://www.techniquesfluides.fr)



## MODEL A1T METAL RUBBER-FITTED

Height.....	222 mm (8.75")
Width.....	207 mm (8.16")
Depth.....	175 mm (6.90")
Ship Weight.....	Aluminum 6 kg (13 lbs.)
	Stainless Steel 9.2 kg (20 lbs.)
	Hastelloy 9.8 kg (22 lbs.)
Air Inlet.....	6.35 mm (1/4")
Inlet.....	12.7 mm (1/2")
Outlet.....	12.7 mm (1/2")
Suction Lift.....	9.7 m Dry (31.8')
	4.5 m Wet (14.7')

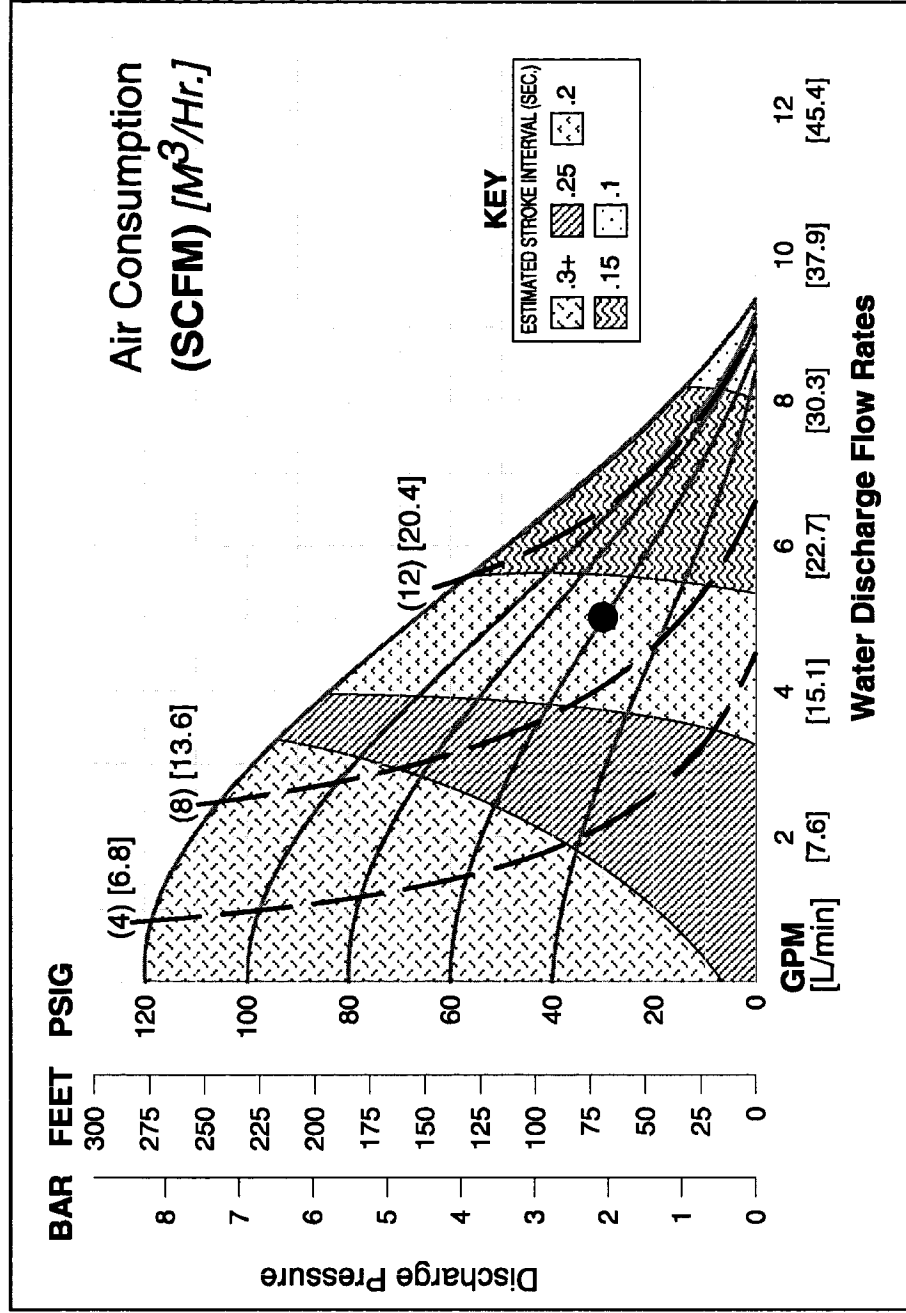
### Displacement per

Stroke.....	.05 l (.013 gal.)'
Max. Flow Rate.....	35.6 lpm (9.4 gpm)
Max. Size Solids.....	1.59 mm (1/16")

'Displacement per stroke was calculated at 4.8 Bar (70 psig) air inlet pressure against a 2 Bar (30 psig) head pressure.

**Example:** To pump 18.9 lpm (5 gpm) against a discharge pressure head of 2.1 Bar (30 psig) requires 4.1 Bar (60 psig) and 15.3 Nm<sup>3</sup>/h (9.0 scfm) air consumption. (See dot on chart.)

**Caution: Do not exceed 8.6 Bar (125 psig) air supply pressure.**



Flow rates indicated on chart were determined by pumping water.

For optimum life and performance, pumps should be specified so that daily operation parameters will fall in the center of the pump performance curve.

# TECHNIQUES DES FLUIDES

10 Rue Jean Poulmarch, bat. 3

Z.I. Du Val d'Argent

95100 Argenteuil

Tel. : 01.34.11.13.73 / Fax : 01.34.11.96.35

E-mail : [tdf@techniquesfluides.fr](mailto:tdf@techniquesfluides.fr)

Site web : [www.techniquesfluides.fr](http://www.techniquesfluides.fr)



## MODEL A1T METAL TEFLON®-FITTED

Height.....	222 mm (8.75")
Width.....	207 mm (8.16")
Depth.....	175 mm (6.90")
Ship Weight.....	Aluminum 6 kg (13 lbs.)
	Stainless Steel 9.2 kg (20 lbs.)
	Hastelloy 9.8 kg (22 lbs.)
Air Inlet.....	6.35 mm (1/4")
Inlet.....	12.7 mm (1/2")
Outlet.....	12.7 mm (1/2")
Suction Lift.....	3.5 m Dry (11.3')
	9.3 m Wet (30.6')

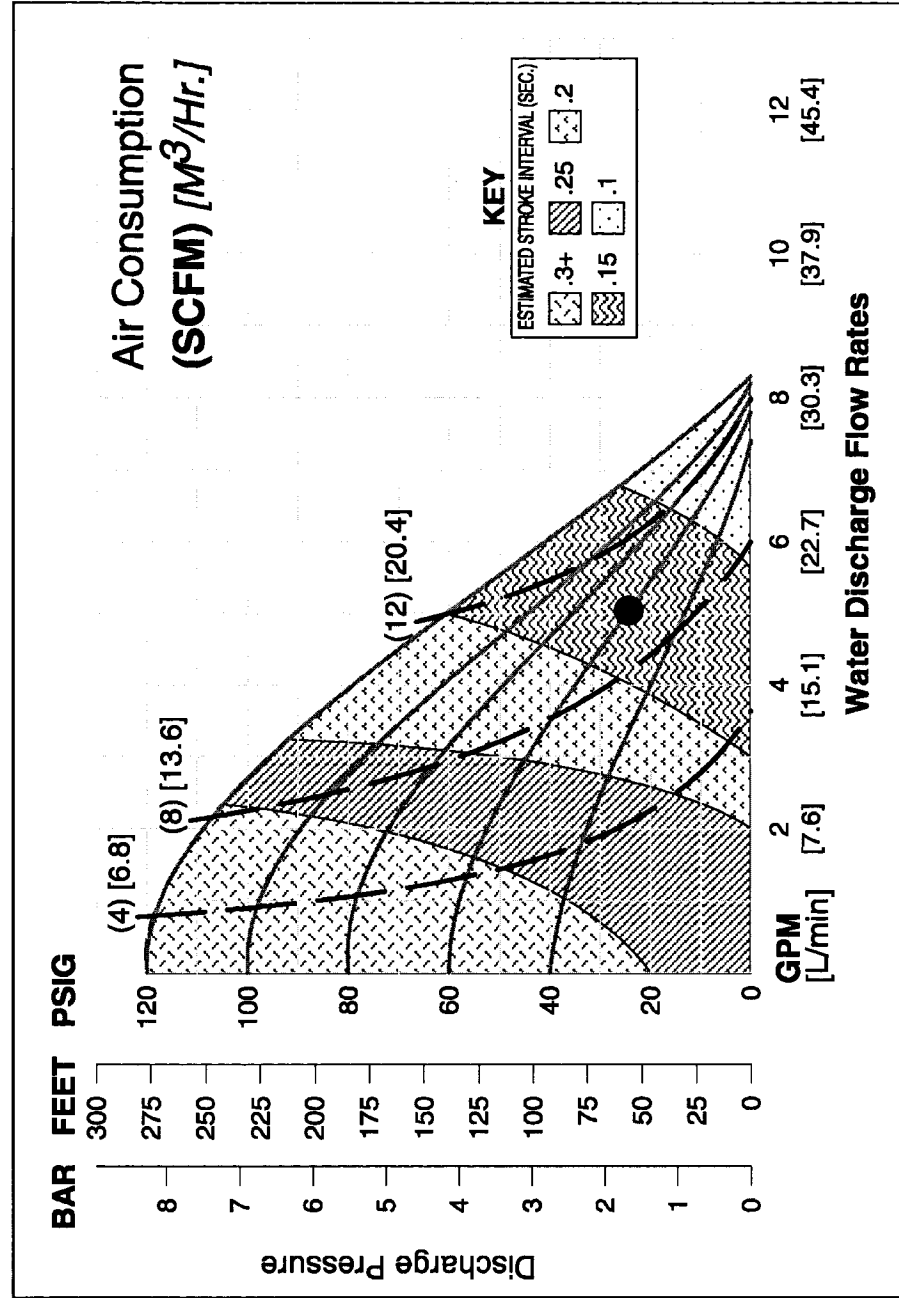
### Displacement per

Stroke.....	.05 l (.014 gal.) <sup>1</sup>
Max. Flow Rate.....	31.4 lpm (8.3 gpm)
Max. Size Solids.....	1.59 mm (1/16")

<sup>1</sup>Displacement per stroke was calculated at 4.8 Bar (70 psig) air inlet pressure against a2 Bar (30 psig) head pressure.

**Example:** To pump 18.9 lpm (5 gpm) against a discharge pressure head of 1.7 Bar (25 psig) requires 4.1 Bar (60 psig) and 16.2 Nm<sup>3</sup>/h (9.5 scfm) air consumption. (See dot on chart.)

**Caution: Do not exceed 8.6 Bar (125 psig) air supply pressure.**



Flow rates indicated on chart were determined by pumping water.

For optimum life and performance, pumps should be specified so that daily operation parameters will fall in the center of the pump performance curve.

# TECHNIQUES DES FLUIDES

10 Rue Jean Poulmarch, bat. 3

Z.I. Du Val d'Argent

95100 Argenteuil

Tel. : 01.34.11.13.73 / Fax : 01.34.11.96.35

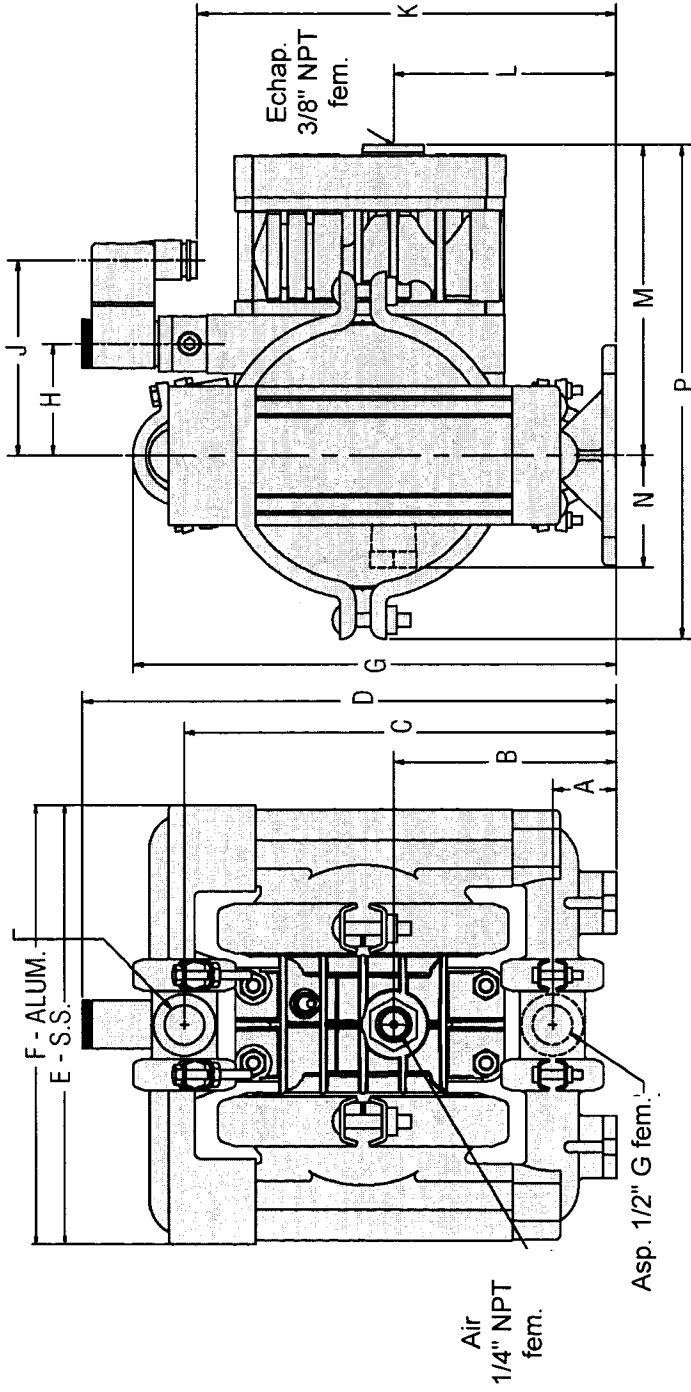
E-mail : [tdf@techniquesfluides.fr](mailto:tdf@techniquesfluides.fr)

Site web : [www.techniquesfluides.fr](http://www.techniquesfluides.fr)

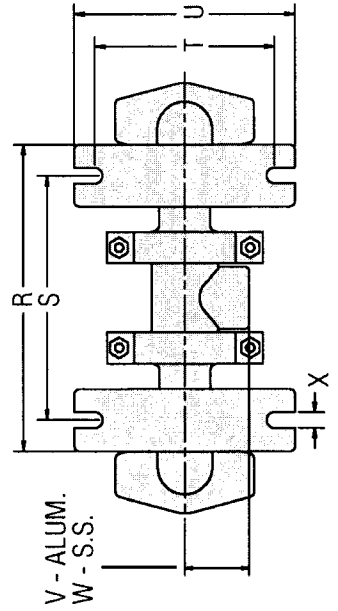


## WILDEN MODEL A1P METAL ACCU-FLO™

Ref. 1/2" G fem.



ITEM	DIMENSIONS - A1P ACCU-FLO (METAL)	
	METRIC (mm)	STANDARD (inch)
A	29	1.13
B	102	4.03
C	198	7.81
D	242	9.53
E	203	8.00
F	207	8.16
G	222	8.75
H	51	2.00
J	89	3.50
K	190	7.47
L	101	3.97
M	141	5.56
N	55	2.16
P	226	8.88
R	140	5.50
S	112	4.41
T	83	3.25
U	102	4.00
V	30	1.19
W	30	1.19
X	7	.28



# TECHNIQUES DES FLUIDES

10 Rue Jean Poulmarch, bat. 3

Z.I. Du Val d'Argent

95100 Argenteuil

Tel. : 01.34.11.13.73 / Fax : 01.34.11.96.35

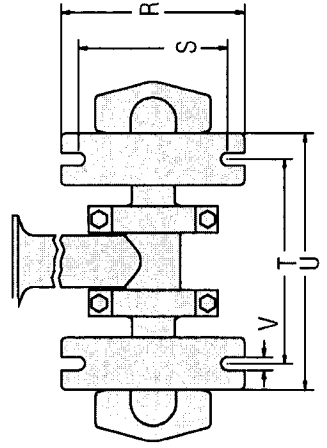
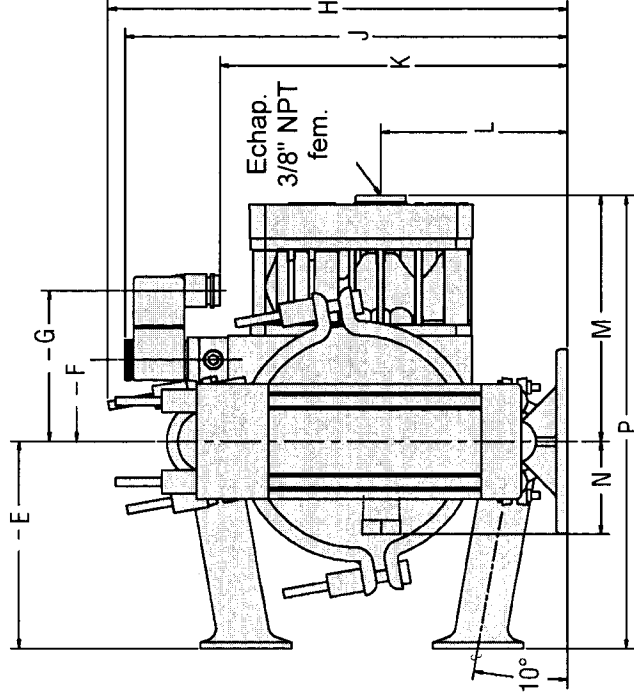
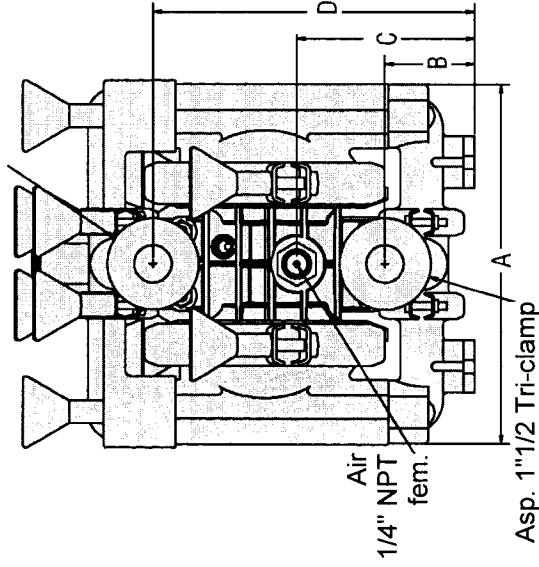
E-mail : [tdf@techniquesfluides.fr](mailto:tdf@techniquesfluides.fr)

Site web : [www.techniquesfluides.fr](http://www.techniquesfluides.fr)



## WILDEN MODEL A1P METAL SANIFLOFDA ACCU-FLO™

Ref. 1"1/2  
Tri-clamp



DIMENSIONS - A1P ACCU-FLO™ (SANIFLOFDA)		
ITEM	METRIC (mm)	STANDARD (inch)
A	203	8.00
B	48	1.89
C	102	4.03
D	175	6.90
E	114	4.50
F	44	1.75
G	82	3.22
H	254	10.00
J	226	8.88
K	162	6.38
L	101	3.97
M	141	5.56
N	55	2.16
P	226	8.88
R	102	4.00
S	83	3.25
T	112	4.41
U	140	5.50
V	7	.28

# TECHNIQUES DES FLUIDES

10 Rue Jean Poulimarch, bat. 3

Z.I. Du Val d'Argent

95100 Argenteuil

Tel. : 01.34.11.13.73 / Fax : 01.34.11.96.35

E-mail : tdf@techniquesfluides.fr

Site web : www.techniquesfluides.fr



## MODEL A1P METAL RUBBER-FITTED

Height.....	242 mm (9.53")
Width.....	207 mm (8.16")
Depth.....	226 mm (8.88")
Ship Weight.....	Aluminum 6 kg (13 lbs.)
	Stainless Steel 9.2 kg (20 lbs.)
	Hastelloy 9.8 kg (22 lbs.)
Air Inlet.....	6.35 mm (1/4")
Inlet.....	12.7 mm (1/2")
Outlet.....	12.7 mm (1/2")
Suction Lift.....	6.6 m Dry (21.6')
	9.7 m Wet (31.8')

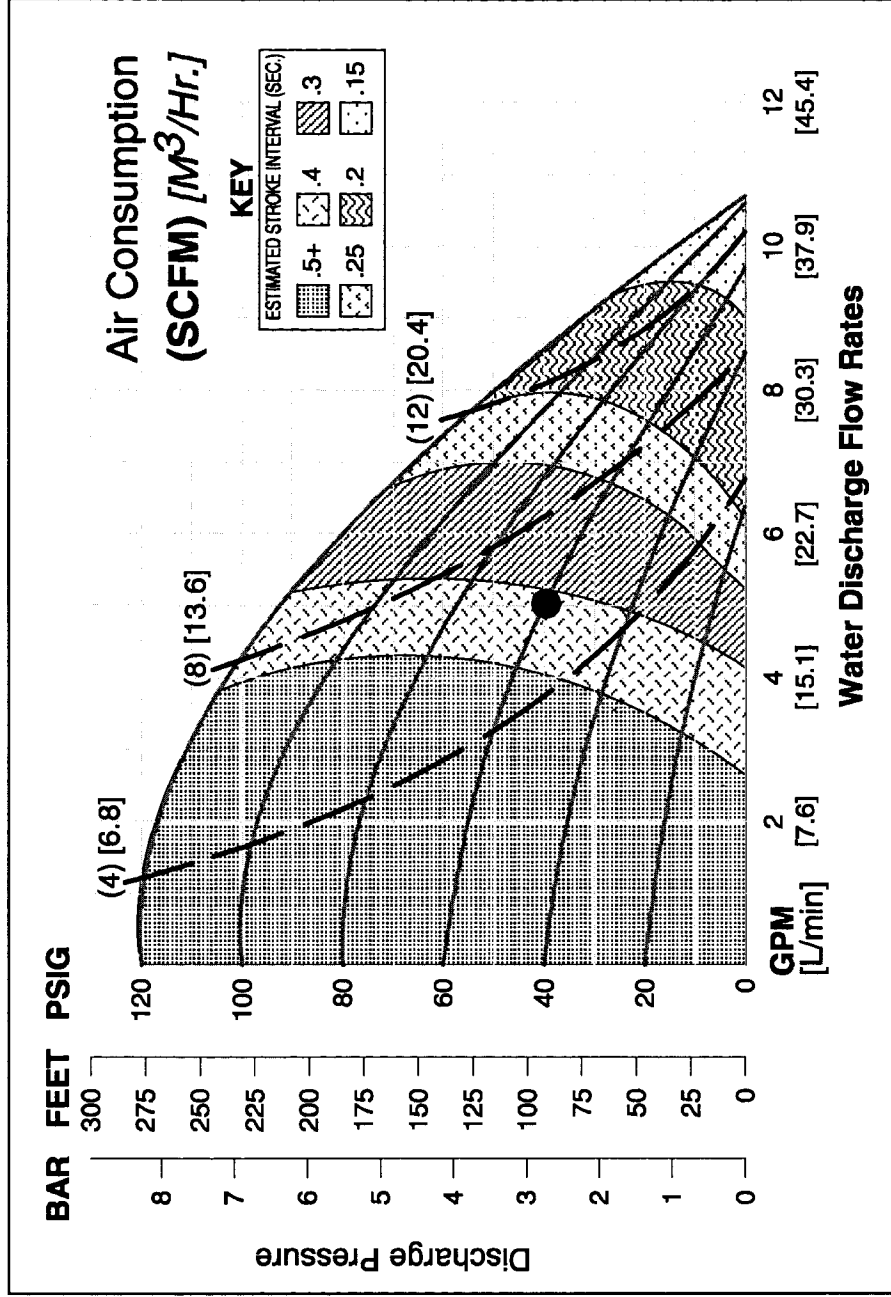
### Displacement per

Stroke .....	.12 l (.031 gal.) <sup>1</sup>
Max. Flow Rate.....	40.5 lpm (10.7 gpm)
Max. Size Solids .....	1.59 mm (1/16")

<sup>1</sup>Displacement per stroke was calculated at 4.8 Bar (70 psig) air inlet pressure against a 2 Bar (30 psig) head pressure.

**Example:** To pump 18.9 lpm (5 gpm) against a discharge pressure head of 2.8 Bar (40 psig) requires 4.1 Bar (60 psig) and 10.2 Nm<sup>3</sup>/h (6.0 scfm) air consumption. (See dot on chart.)

**Caution: Do not exceed 8.6 Bar (125 psig) air supply pressure.**



Flow rates indicated on chart were determined by pumping water.

For optimum life and performance, pumps should be specified so that daily operation parameters will fall in the center of the pump performance curve.

# TECHNIQUES DES FLUIDES

10 Rue Jean Poulmarch, bat. 3

Z.I. Du Val d'Argent

95100 Argenteuil

Tel. : 01.34.11.13.73 / Fax : 01.34.11.96.35

E-mail : tdf@techniquesfluides.fr

Site web : www.techniquesfluides.fr



## MODEL A1P METAL TEFLON®-FITTED

Height.....	242 mm (9.53")
Width.....	207 mm (8.16")
Depth.....	226 mm (8.88")
Ship Weight .....	Aluminum 6 kg (13 lbs.)
	Stainless Steel 9.2 kg (20 lbs.)
	Hastelloy 9.8 kg (22 lbs.)
Air Inlet.....	6.35 mm (1/4")
Inlet.....	12.7 mm (1/2")
Outlet.....	12.7 mm (1/2")
Suction Lift.....	5.7 m Dry (18.7')
	9.2 m Wet (30.1')

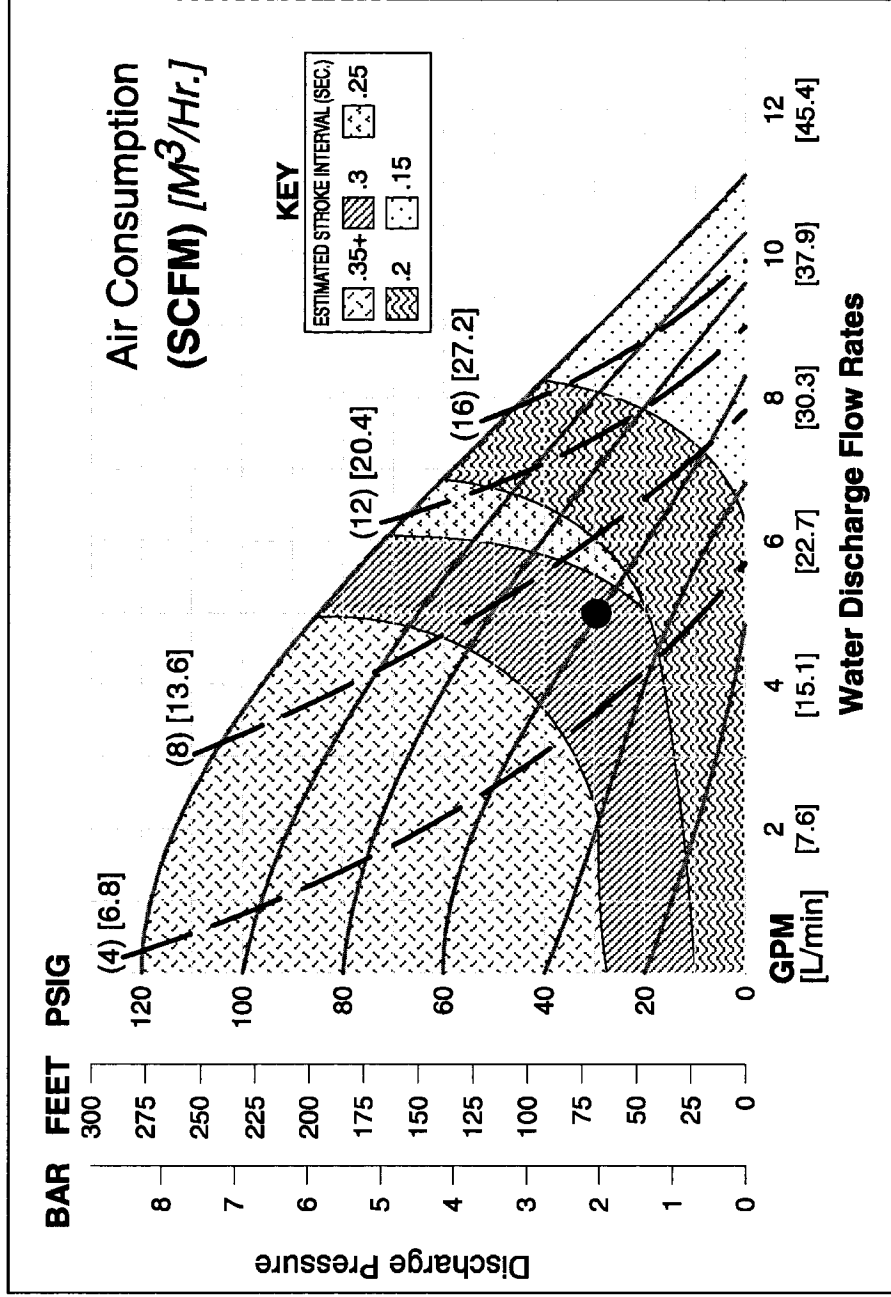
### Displacement per

Stroke .....	.09 l (.024 gal.) <sup>1</sup>
Max. Flow Rate.....	42.0 lpm (11.1 gpm)
Max. Size Solids.....	1.59 mm (1/16")

<sup>1</sup>Displacement per stroke was calculated at 4.8 Bar (70 psig) air inlet pressure against a 2 Bar (30 psig) head pressure.

**Example:** To pump 18.9 lpm (5 gpm) against a discharge pressure head of 2.1 Bar (30 psig) requires 4.1 Bar (60 psig) and 10.2 Nm<sup>3</sup>/h (6.0 scfm) air consumption. (See dot on chart.)

**Caution: Do not exceed 8.6 Bar (125 psig) air supply pressure.**



Flow rates indicated on chart were determined by pumping water.

For optimum life and performance, pumps should be specified so that daily operation parameters will fall in the center of the pump performance curve.



# TECHNIQUES DES FLUIDES

10 Rue Jean Poulmarch, bat. 3

Z.I. Du Val d'Argent

95100 Argenteuil

Tel. : 01.34.11.13.73 / Fax : 01.34.11.96.35

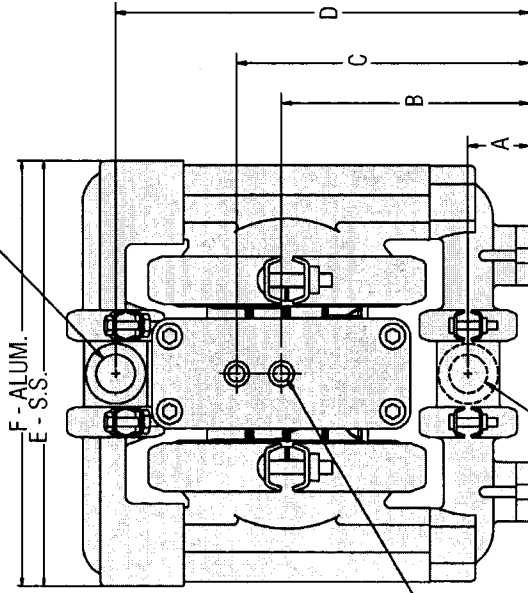
E-mail : [tdf@techniquesfluides.fr](mailto:tdf@techniquesfluides.fr)

Site web : [www.techniquesfluides.fr](http://www.techniquesfluides.fr)



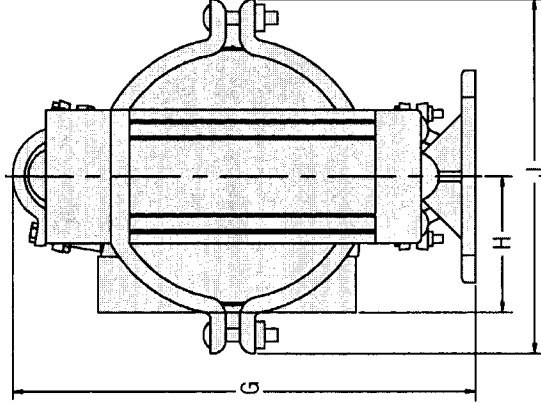
## WILDEN MODEL A1B METAL (P-SERIES CENTER SECTION)

Ref. 1/2" G fem.

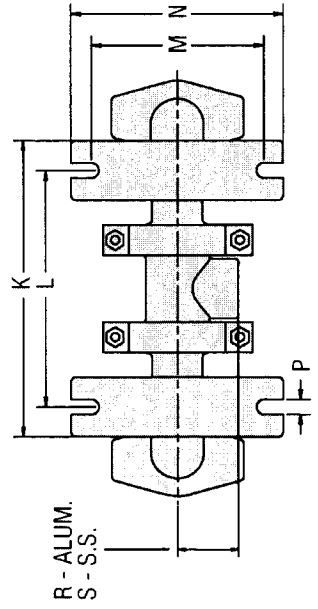


Air  
1/4" NPT  
fem.

Asp. 1/2" G fem.



DIMENSIONS - A1B ACCU-FLO (METAL)		
ITEM	METRIC (mm)	STANDARD (inch)
A	29	1.13
B	118	4.63
C	138	5.44
D	198	7.81
E	203	8.00
F	207	8.16
G	222	8.75
H	64	2.53
J	175	6.88
K	140	5.50
L	112	4.41
M	83	3.25
N	102	4.00
P	7	.28
R	30	1.19
S	30	1.19



# TECHNIQUES DES FLUIDES

10 Rue Jean Poulmarch, bat. 3

Z.I. Du Val d'Argent

95100 Argenteuil

Tel. : 01.34.11.13.73 / Fax : 01.34.11.96.35

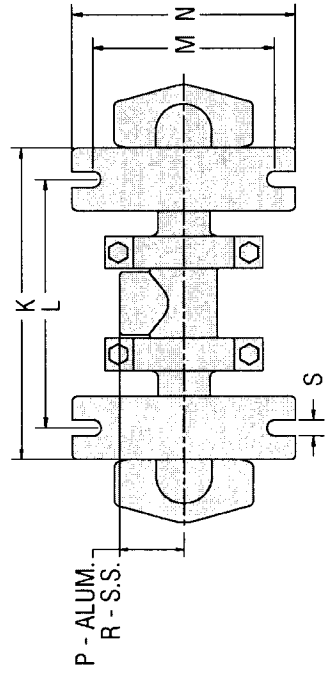
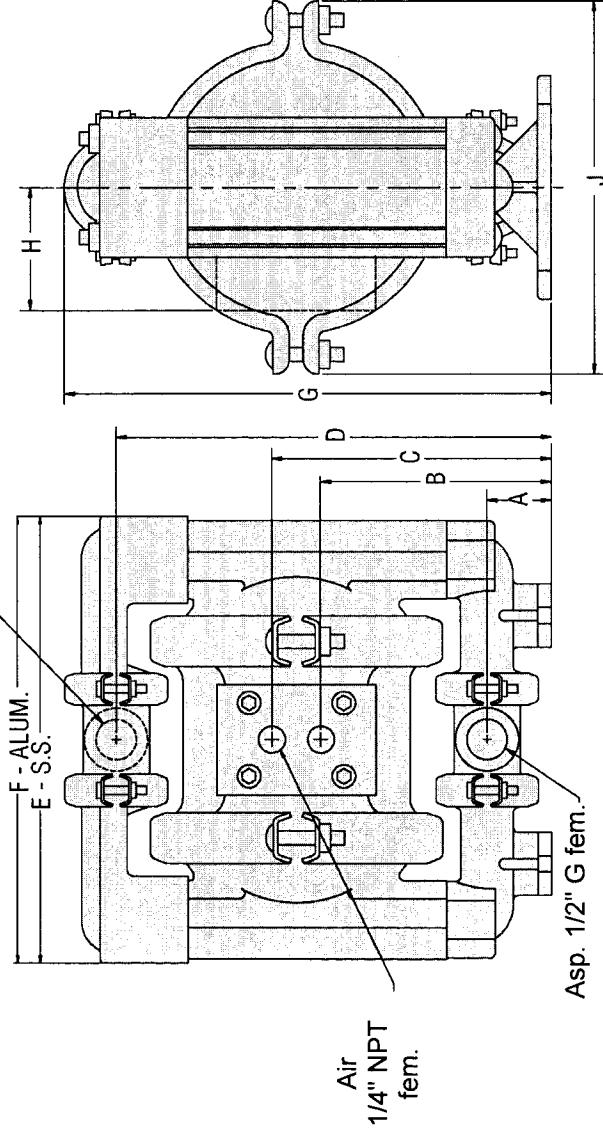
E-mail : [tdf@techniquesfluides.fr](mailto:tdf@techniquesfluides.fr)

Site web : [www.techniquesfluides.fr](http://www.techniquesfluides.fr)



## WILDEN MODEL A1B METAL (T-SERIES CENTER SECTION)

Ref. 1/2" G fem.



DIMENSIONS - A1B ACCU-FLO™ (METAL)			
ITEM	METRIC (mm)	STANDARD (inch)	
A	29	.13	
B	105	4.13	
C	127	5.00	
D	198	7.81	
E	203	8.00	
F	207	8.16	
G	222	8.75	
H	56	2.19	
J	175	6.88	
K	140	5.50	
L	112	4.41	
M	83	3.25	
N	102	4.00	
P	30	1.19	
R	30	1.19	
S	7	.28	