

# TECHNIQUES DES FLUIDES

10 Rue Jean Poulmarch, bat. 3

Z.I. Du Val d'Argent

95100 Argenteuil

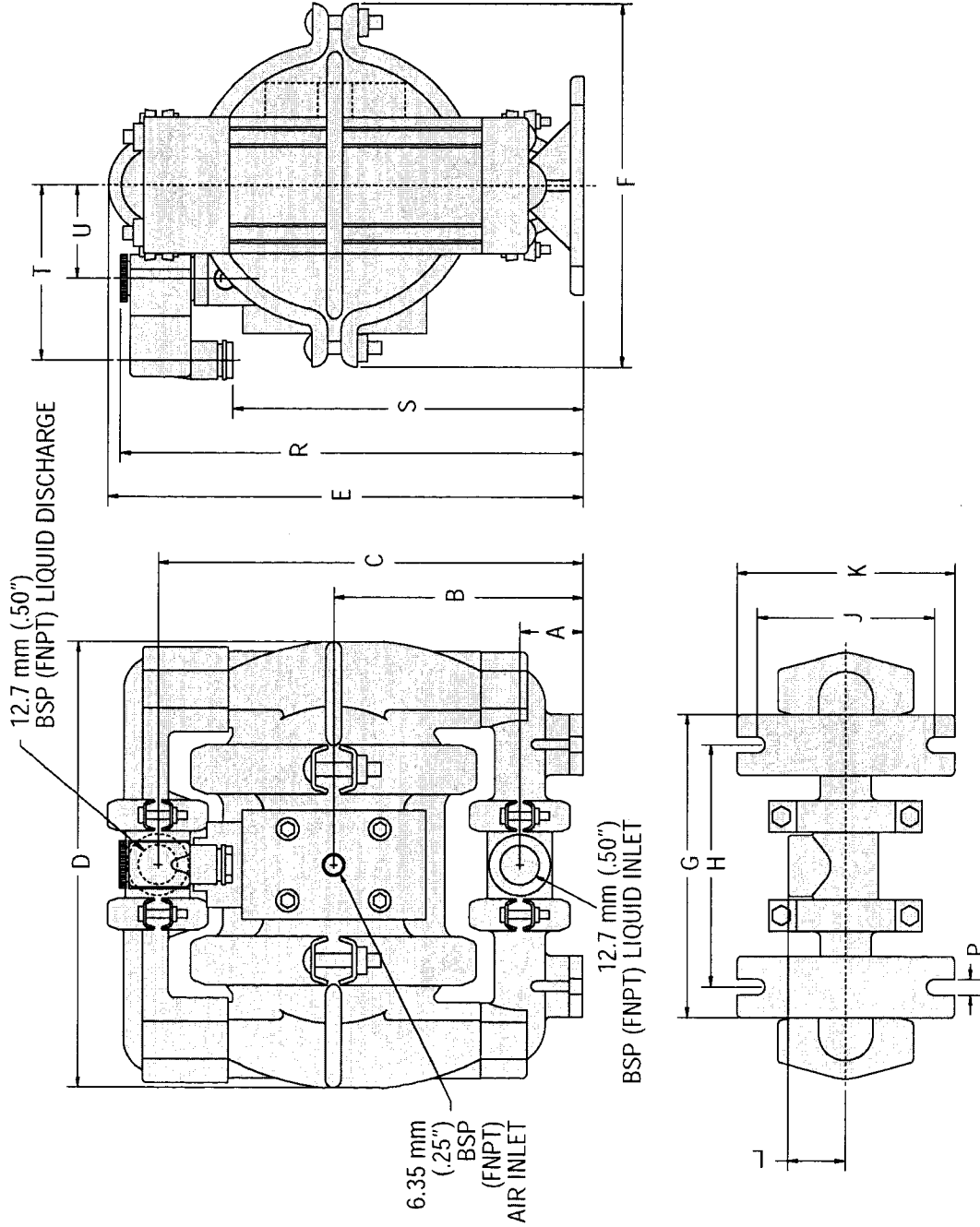
Tel. : 01.34.11.13.73 / Fax : 01.34.11.96.35

E-mail : [tdf@techniquesfluides.fr](mailto:tdf@techniquesfluides.fr)

Site web : [www.techniquesfluides.fr](http://www.techniquesfluides.fr)



## WILDEN MODEL A1T PLASTIC CHAMP ACCU-FLO™



DIMENSIONS - A1T - ACCU-FLO™ (PLASTIC)			
ITEM	METRIC (mm)	STANDARD (inch)	
A	30	1.16	
B	114	4.50	
C	196	7.69	
D	208	8.19	
E	218	8.63	
F	118	7.00	
G	145	5.66	
H	114	4.50	
J	84	3.25	
K	102	4.00	
L	28	1.09	
N	84	3.31	
P	8	.28	
R	213	8.38	
S	160	6.31	
T	81	3.22	
U	46	1.75	

# TECHNIQUES DES FLUIDES

10 Rue Jean Poulmarch, bat. 3

Z.I. Du Val d'Argent

95100 Argenteuil

Tel. : 01.34.11.13.73 / Fax : 01.34.11.96.35

E-mail : [tdf@techniquesfluides.fr](mailto:tdf@techniquesfluides.fr)

Site web : [www.techniquesfluides.fr](http://www.techniquesfluides.fr)



## MODEL A1T PLASTIC RUBBER-FITTED

Height.....	218 mm (8.63")
Width.....	208 mm (8.19")
Depth.....	118 mm (7.00")
Ship Weight.....	Polypropylene 4.1 kg (9 lbs.)
	PVDF 5.1 kg (11 lbs.)
Air Inlet.....	6.35 mm (1/4")
Inlet.....	12.7 mm (1/2")
Outlet.....	12.7 mm (1/2")
Suction Lift.....	4.49 m Dry (15')
	9.33 m Wet (31')

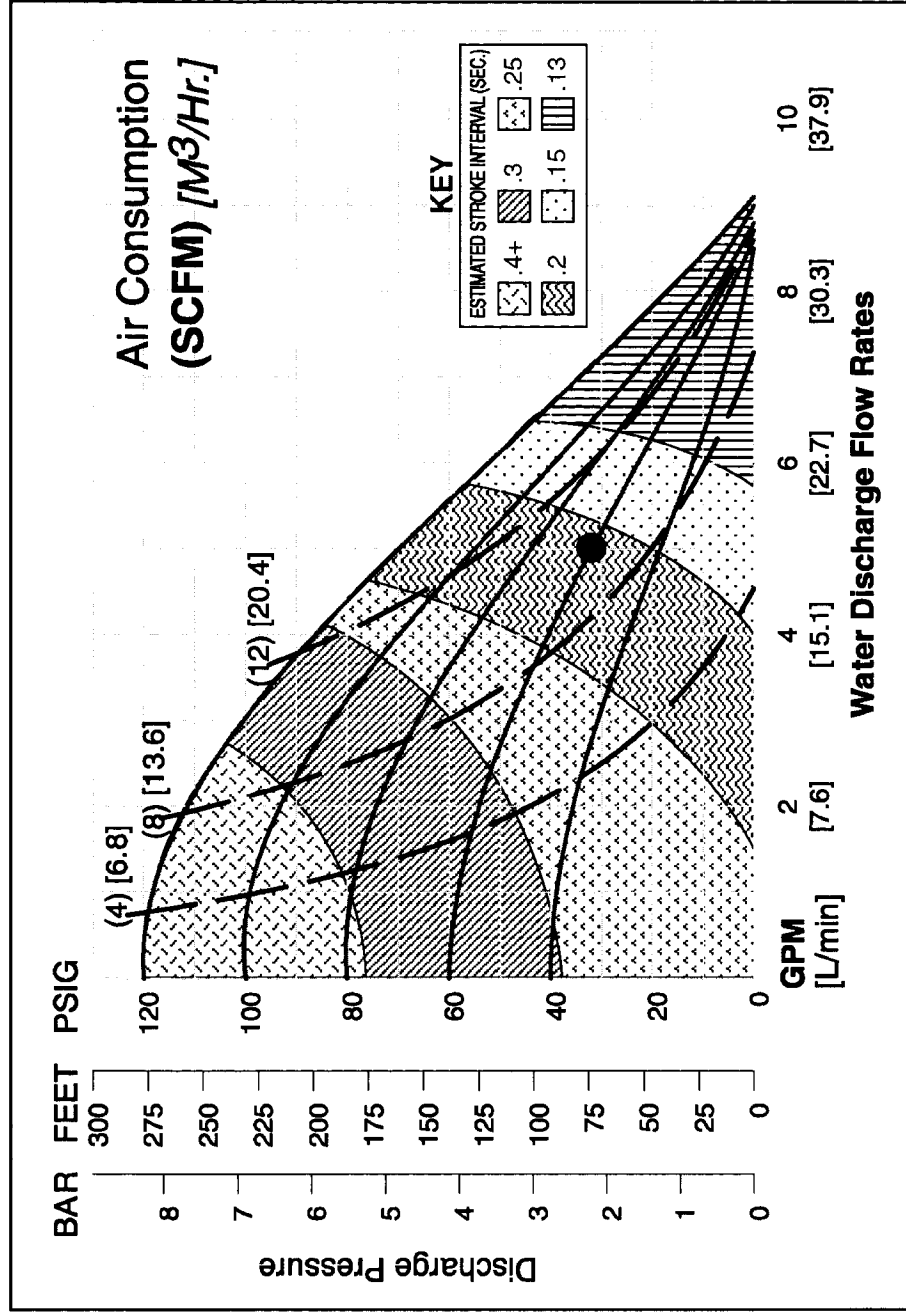
### Displacement per

Stroke.....	.113 l (.030 gal.) <sup>1</sup>
Max. Flow Rate.....	33.4 lpm (9.1 gpm)
Max. Size Solids.....	1.59 mm (1/16")

<sup>1</sup>Displacement per stroke was calculated at 4.8 Bar (70 psig) air inlet pressure against a 2 Bar (30 psig) head pressure.

**Example:** To pump 18.9 lpm (5 gpm) against a discharge head pressure of 2.2 Bar (32 psig) requires 4.1 Bar (60 psig) and 16.2 Nm<sup>3</sup>/h (9.5 scfm) air consumption. (See dot on chart.)

**Caution: Do not exceed 8.6 Bar (125 psig) air supply pressure.**



Flow rates indicated on chart were determined by pumping water.

For optimum life and performance, pumps should be specified so that daily operation parameters will fall in the center of the pump performance curve.



# TECHNIQUES DES FLUIDES

10 Rue Jean Poulmarch, bat. 3

Z.I. Du Val d'Argent

95100 Argenteuil

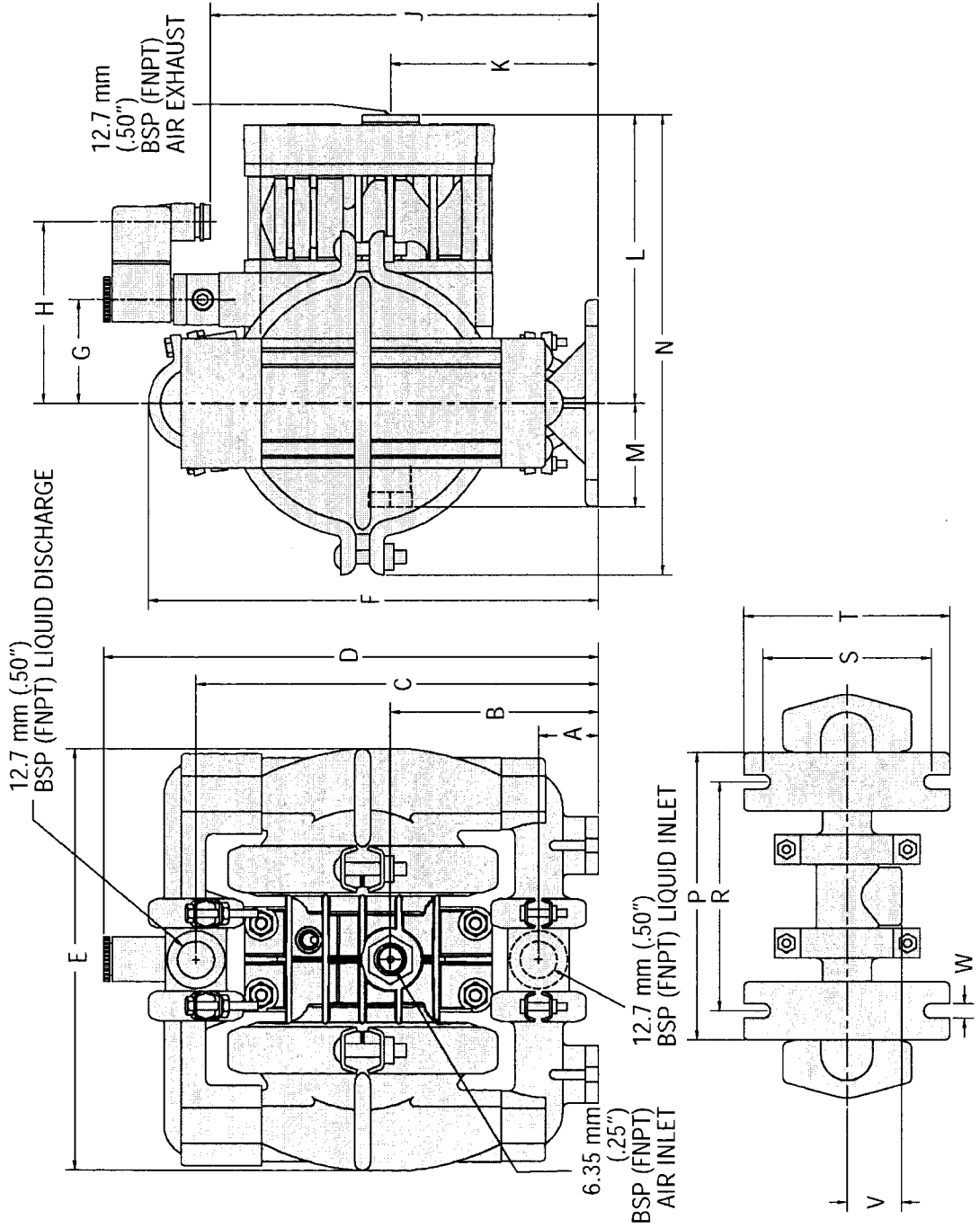
Tel. : 01.34.11.13.73 / Fax : 01.34.11.96.35

E-mail : [tdf@techniquesfluides.fr](mailto:tdf@techniquesfluides.fr)

Site web : [www.techniquesfluides.fr](http://www.techniquesfluides.fr)



## WILDEN MODEL A1P PLASTIC CHAMP ACCU-FLO™



DIMENSIONS - A1P ACCU-FLO (PLASTIC)			
ITEM	METRIC (mm)	STANDARD (inch)	
A	30	1.16	
B	117	4.59	
C	196	7.69	
D	244	9.56	
E	208	8.19	
F	218	8.63	
G	51	2.00	
H	89	3.50	
J	191	7.50	
K	117	4.56	
L	142	5.56	
M	56	2.16	
N	231	9.06	
P	145	5.66	
R	114	4.50	
S	84	3.25	
T	102	4.00	
V	28	1.09	
W	8	.28	

# TECHNIQUES DES FLUIDES

10 Rue Jean Poulmarch, bat. 3

Z.I. Du Val d'Argent

95100 Argenteuil

Tel. : 01.34.11.13.73 / Fax : 01.34.11.96.35

E-mail : [tdf@techniquesfluides.fr](mailto:tdf@techniquesfluides.fr)

Site web : [www.techniquesfluides.fr](http://www.techniquesfluides.fr)



## MODEL A1P PLASTIC RUBBER-FITTED

Height.....	244 mm (9.56")
Width.....	208 mm (8.19")
Depth.....	231 mm (9.06")
Ship Weight .....	Polypropylene 4.1 kg (9 lbs.)
	PVDF 5.1 kg (11 lbs.)
Air Inlet.....	6.35 mm (1/4")
Inlet.....	12.7 mm (1/2")
Outlet.....	12.7mm (1/2")
Suction Lift .....	6.05 m Dry (20')
	8.99 m Wet (29')

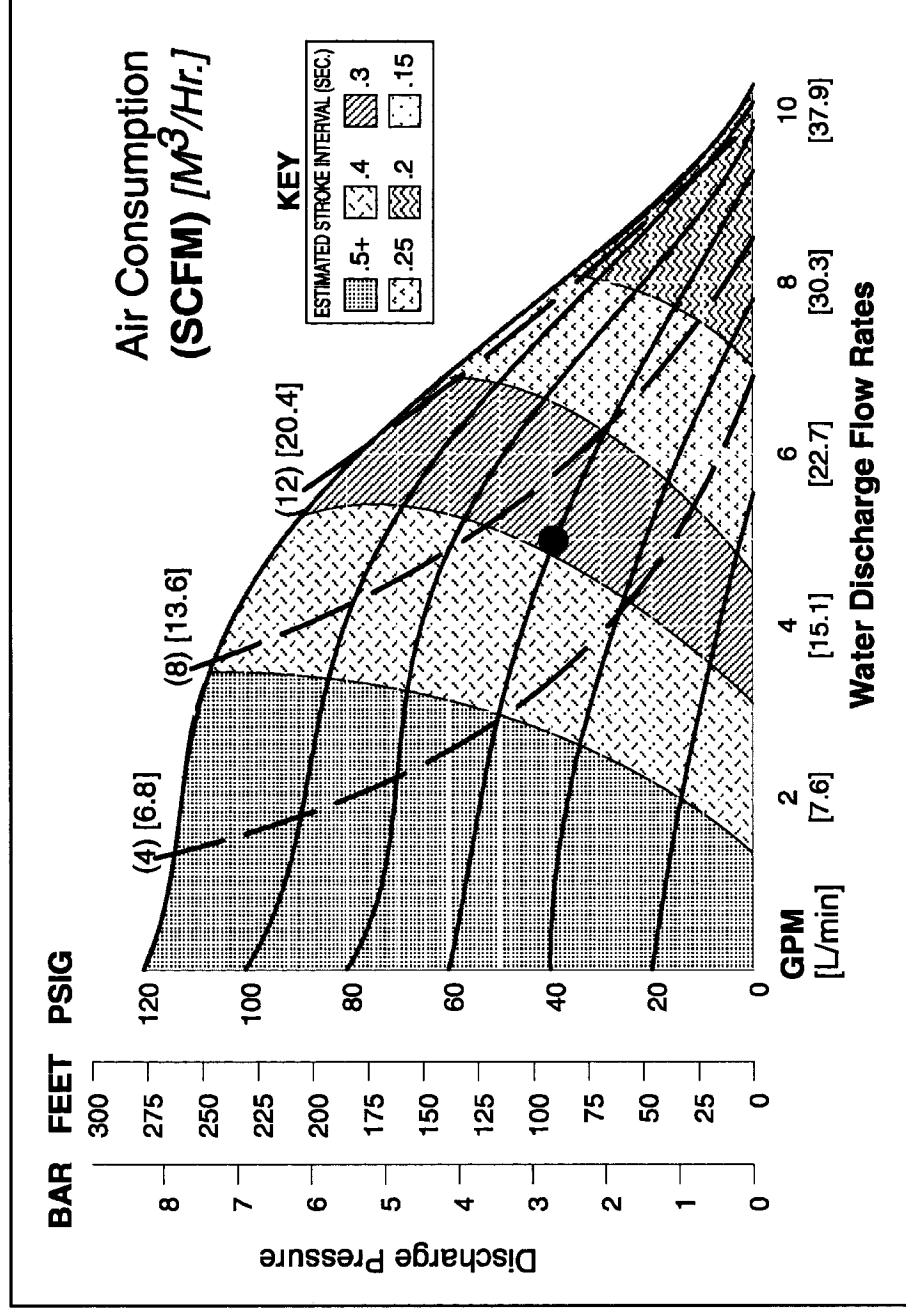
### Displacement per

Stroke .....	.12 l (.032 gal.) <sup>1</sup>
Max. Flow Rate .....	39.0 lpm (10.3 gpm)
Max. Size Solids .....	1.59 mm (1/16")

<sup>1</sup>Displacement per stroke was calculated at 4.8 Bar (70 psig) air inlet pressure against a 2 Bar (30 psig) head pressure.

**Example:** To pump 18.9 lpm (5 gpm) against a discharge head pressure of 2.7 Bar (39 psig) requires 4.1 Bar (60 psig) and 11.1 Nm<sup>3</sup>/h (6.5 scfm) air consumption. (See dot on chart.)

**Caution: Do not exceed 8.6 Bar (125 psig) air supply pressure.**



Flow rates indicated on chart were determined by pumping water.

For optimum life and performance, pumps should be specified so that daily operation parameters will fall in the center of the pump performance curve.



# TECHNIQUES DES FLUIDES

10 Rue Jean Poulmarch, bat. 3

Z.I. Du Val d'Argent

95100 Argenteuil

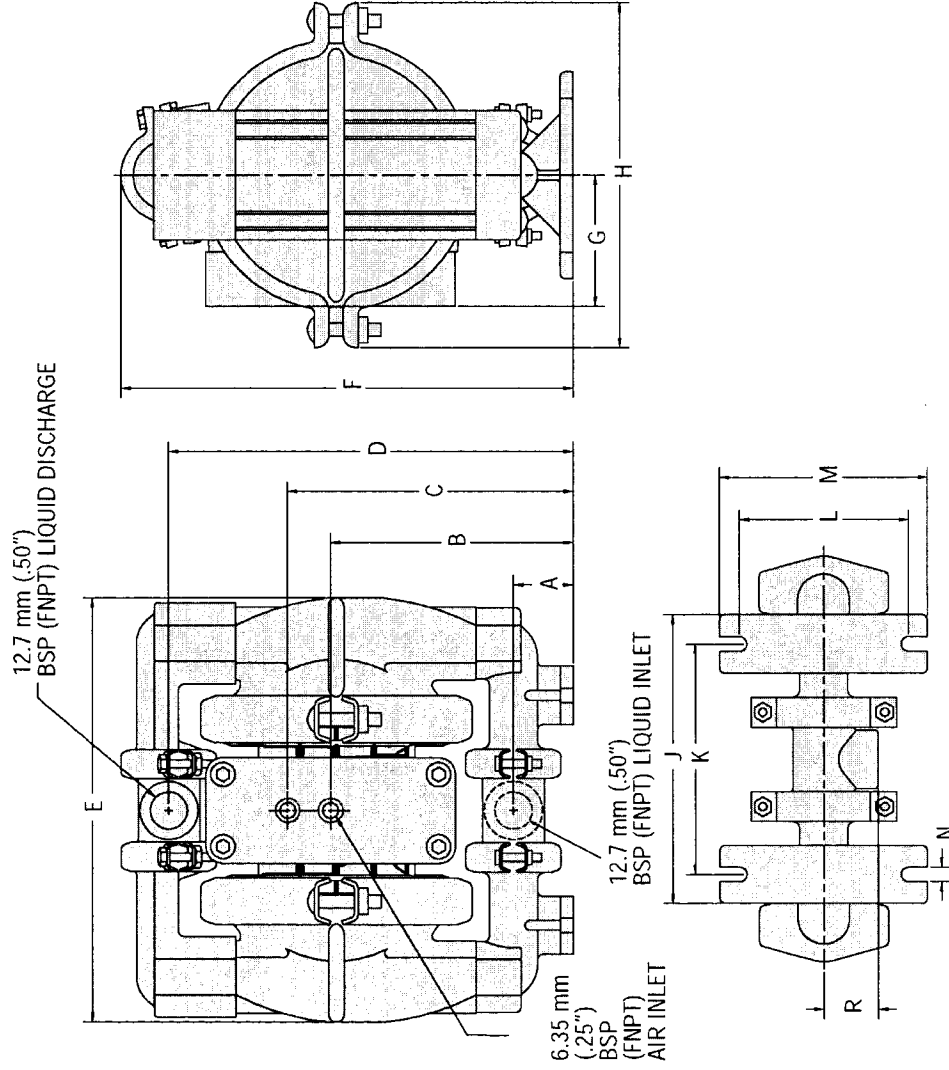
Tel. : 01.34.11.13.73 / Fax : 01.34.11.96.35

E-mail : [tdf@techniquesfluides.fr](mailto:tdf@techniquesfluides.fr)

Site web : [www.techniquesfluides.fr](http://www.techniquesfluides.fr)



## WILDEN MODEL A1B PLASTIC CHAMP (P-SERIES CENTER SECTION)



DIMENSIONS - A1B ACCU-FLO (PLASTIC)		
ITEM	METRIC (mm)	STANDARD (inch)
A	30	1.16
B	117	4.59
C	140	5.50
D	196	7.69
E	208	8.19
F	218	8.63
G	64	2.53
H	118	6.88
J	145	5.66
K	114	4.50
L	884	3.25
M	102	4.00
N	8	.28
R	28	1.09

# TECHNIQUES DES FLUIDES

10 Rue Jean Poulmarch, bat. 3

Z.I. Du Val d'Argent

95100 Argenteuil

Tel. : 01.34.11.13.73 / Fax : 01.34.11.96.35

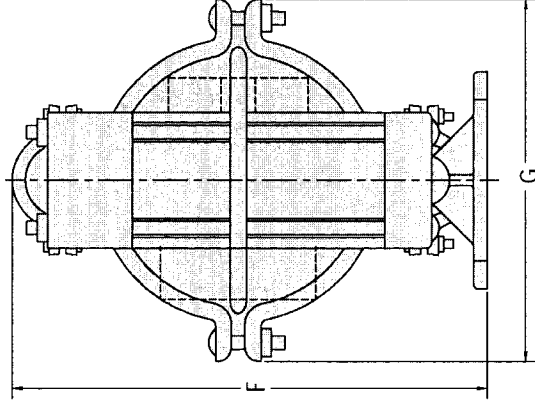
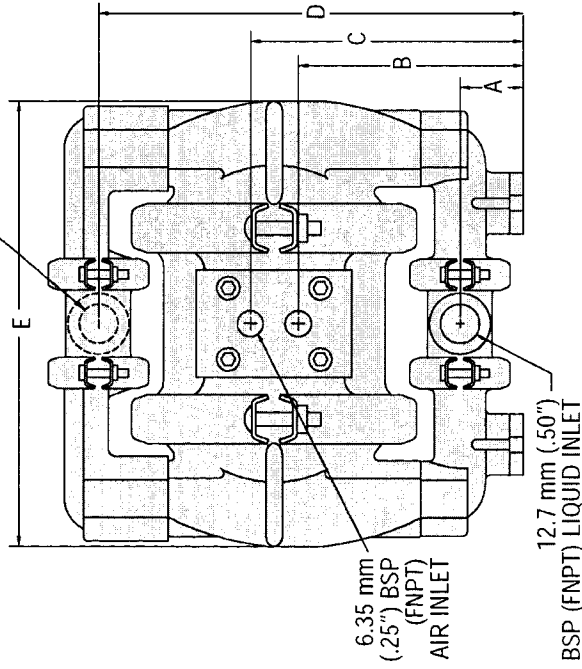
E-mail : [tdf@techniquesfluides.fr](mailto:tdf@techniquesfluides.fr)

Site web : [www.techniquesfluides.fr](http://www.techniquesfluides.fr)



## WILDEN MODEL A1B PLASTIC CHAMP (T-SERIES CENTER SECTION)

12.7 mm (.50")  
BSP (FNPT) LIQUID DISCHARGE



DIMENSIONS - A1B ACCU-FLO™ (PLASTIC)		
ITEM	METRIC (mm)	STANDARD (inch)
A	30	1.16
B	104	4.06
C	124	4.94
D	196	7.69
E	208	8.19
F	218	8.63
G	118	7.00
H	145	5.66
J	114	4.50
K	84	3.25
L	102	4.00
M	28	1.09
P	8	.28

