

TECHNIQUES DES FLUIDES

10 Rue Jean Poulmarch, bat. 3

Z.I. Du Val d'Argent

95100 Argenteuil

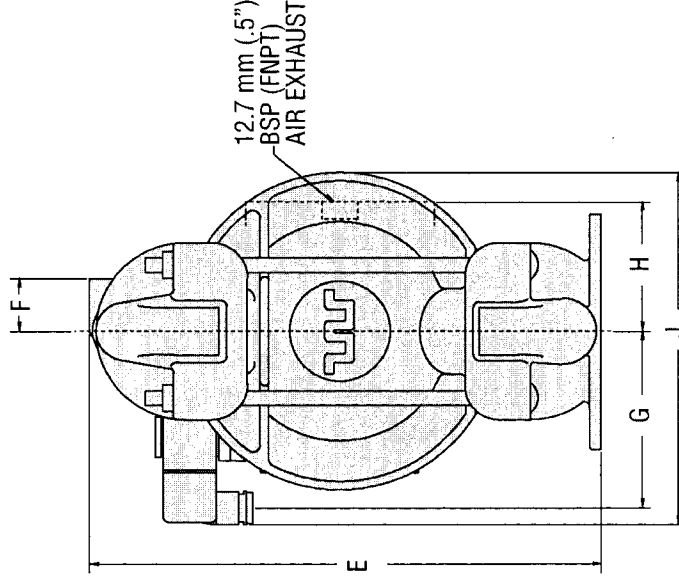
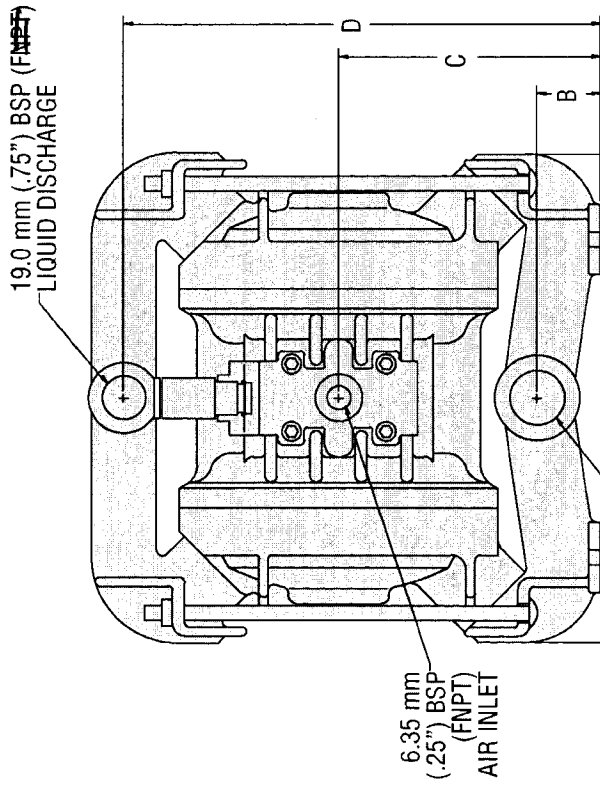
Tel. : 01.34.11.13.73 / Fax : 01.34.11.96.35

E-mail : tdf@techniquesfluides.fr

Site web : www.techniquesfluides.fr

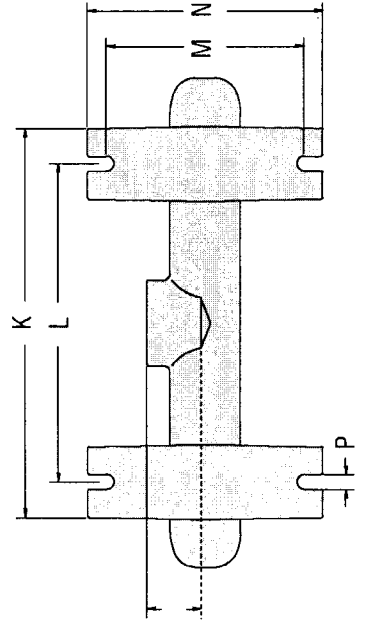


WILDEN MODEL A2T METAL ACCU-FLO™



DIMENSIONS - A2T (METAL)		
ITEM	METRIC (mm)	STANDARD (inch)
A	267	10.53
B	36	1.43
C	137	5.43
D	254	10.00
E	279	11.00
F	28	1.13
G	97	3.78
H	76	3.03
J	191	7.50
K	211	8.25
L	173	6.75
M	107	4.18
N	127	5.00
P	8	.31
R	33	1.25

25.4 mm (1.00") BSP (FNPT) LIQUID INLET



TECHNIQUES DES FLUIDES

10 Rue Jean Poulmarch, bat. 3

Z.I. Du Val d'Argent

95100 Argenteuil

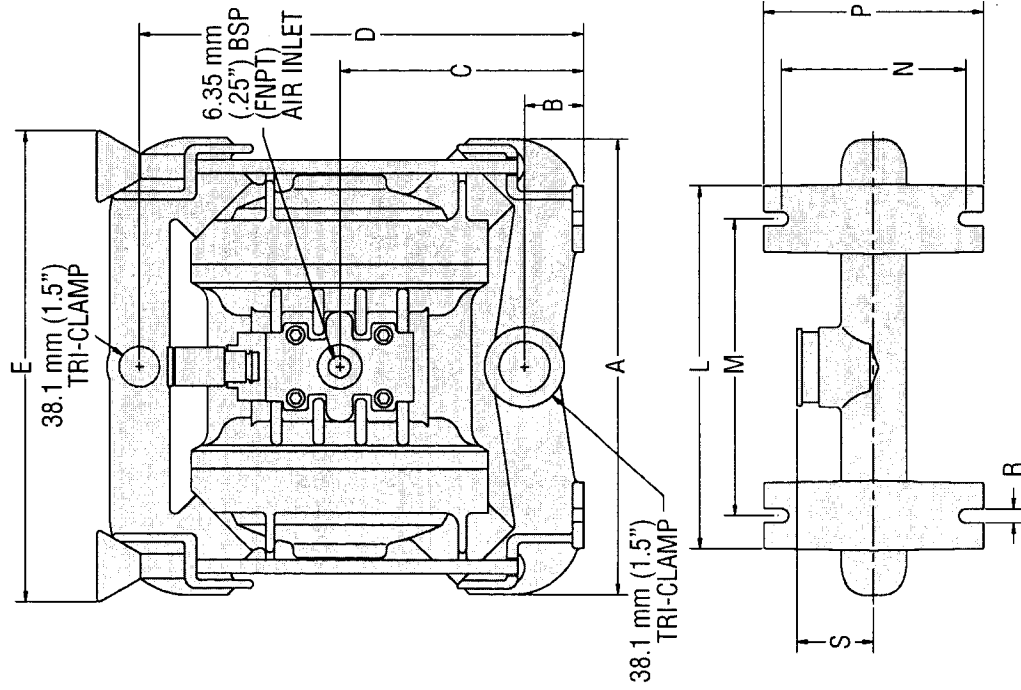
Tel. : 01.34.11.13.73 / Fax : 01.34.11.96.35

E-mail : tdf@techniquesfluides.fr

Site web : www.techniquesfluides.fr



WILDEN MODEL A2T METAL SANIFLOFDA ACCU-FLO™



DIMENSIONS -- A2T (FOOD PROCESSING)		
ITEM	METRIC (mm)	STANDARD (inch)
A	267	10.53
B	36	1.43
C	137	5.43
D	254	10.00
E	267	10.50
F	295	11.63
G	41	1.63
H	97	3.78
J	76	3.03
K	191	7.50
L	211	8.25
M	173	6.75
N	107	4.19
P	127	5.00
R	8	.31
S	43	1.72

TECHNIQUES DES FLUIDES

10 Rue Jean Poulmarch, bat. 3
Z.I. Du Val d'Argent
95100 Argenteuil

Tel. : 01.34.11.13.73 / Fax : 01.34.11.96.35

E-mail : tdf@techniquesfluides.fr
Site web : www.techniquesfluides.fr



MODEL A2T METAL RUBBER-FITTED

Height.....	279 mm (11.00")
Width.....	267 mm (10.53")
Depth.....	191 mm (7.50")
Ship Weight.....	Aluminum 12 kg (26 lbs.)
	Stainless Steel 16.6 kg (36 lbs.)
	Hastelloy 16 kg (40 lbs.)
Air Inlet.....	6.35 mm (1/4")
Inlet.....	25.4 mm (1")
Outlet.....	19.0 mm (3/4")
Suction Lift.....	7.25 m Dry (23.8')
	8.66 m Wet (28.4')

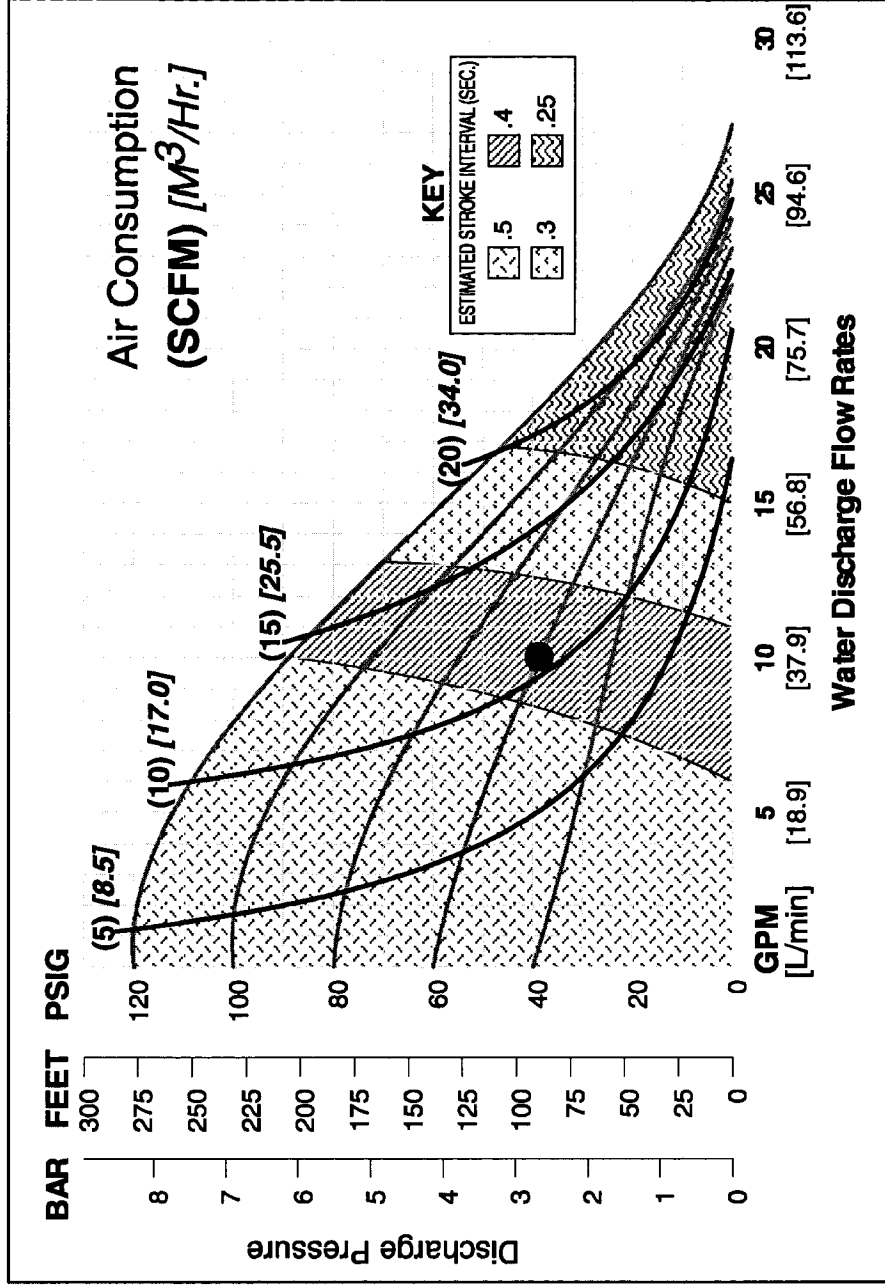
Displacement per

Stroke.....	.33 l (.087 gal.)'
Max. Flow Rate.....	103.3 lpm (27.3 gpm)
Max. Size Solids.....	3.18 mm (1/8")

'Displacement per stroke was calculated at 4.8 Bar (70 psig) air inlet pressure against a 2 Bar (30 psig) head pressure.

Example: To pump 37.9 lpm (10 gpm) against a discharge pressure head of 2.7 Bar (39 psig) requires 4.1 Bar (60 psig) and 17.9 Nm³/h (10.5 scfm) air consumption. (See dot on chart.)

Caution: Do not exceed 8.6 Bar (125 psig) air supply pressure.



Flow rates indicated on chart were determined by pumping water.

For optimum life and performance, pumps should be specified so that daily operation parameters will fall in the center of the pump performance curve.

TECHNIQUES DES FLUIDES

10 Rue Jean Poulmarch, bat. 3

Z.I. Du Val d'Argent

95100 Argenteuil

Tel. : 01.34.11.13.73 / Fax : 01.34.11.96.35

E-mail : tdf@techniquesfluides.fr

Site web : www.techniquesfluides.fr



MODEL A2T METAL TEFLON-FITTED

Height.....	279 mm (11.00")
Width.....	267 mm (10.53")
Depth.....	191 mm (7.50")
Ship Weight	Aluminum 12 kg (26 lbs.)
	Stainless Steel 16.6 kg (36 lbs.)
	Hastelloy 16 kg (40 lbs.)
Air Inlet.....	6.35 mm (1/4")
Inlet.....	25.4 mm (1")
Outlet	19.0 mm (3/4")
Suction Lift.....	4.85 m Dry (15.9')
	8.66 m Wet (28.4')

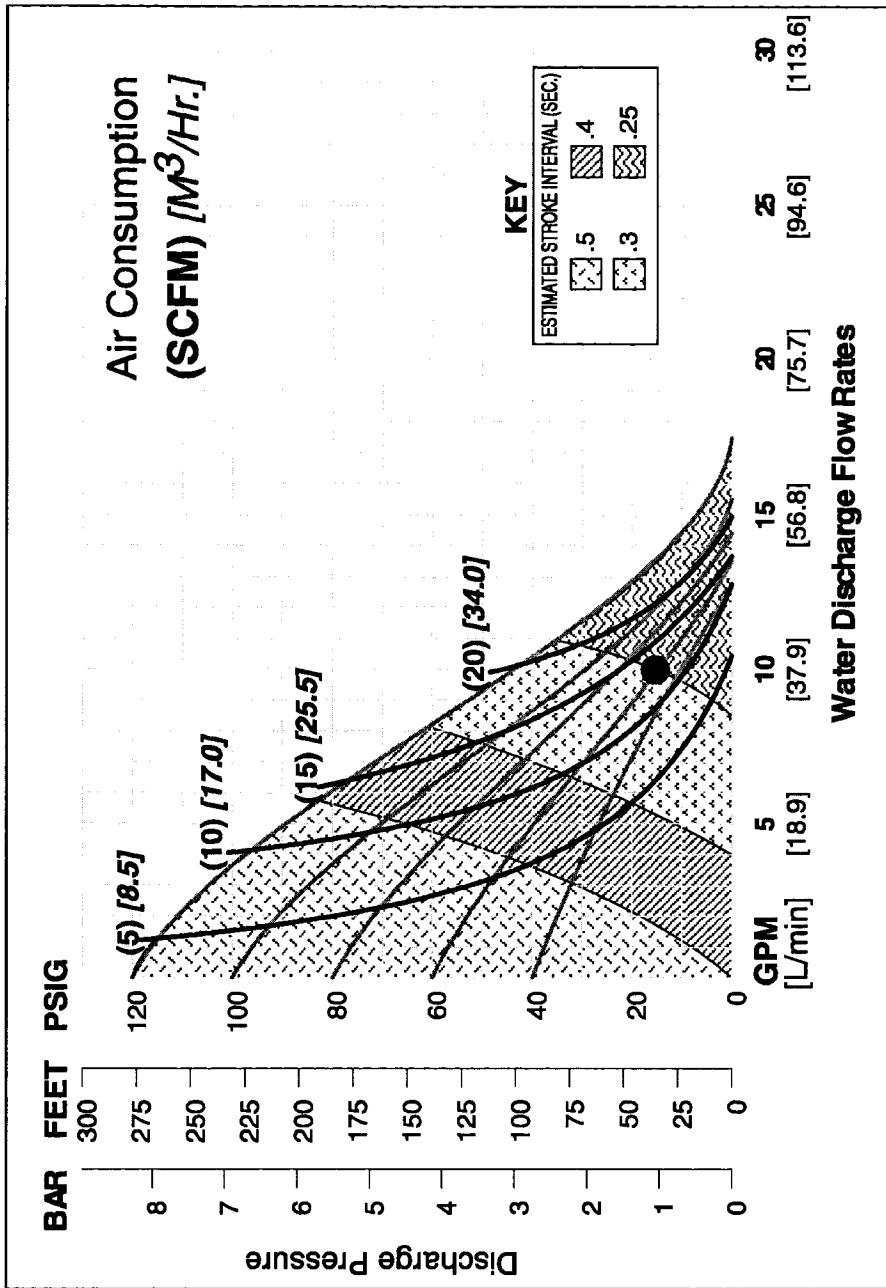
Displacement per

Stroke15 l (.039 gal.)'
Max. Flow Rate.....	66.2 lpm (17.5 gpm)
Max. Size Solids.....	3.18 mm (1/8")

'Displacement per stroke was calculated at 4.8 Bar (70 psig) air inlet pressure against a 2 Bar (30 psig) head pressure.

Example: To pump 37.9 lpm (10 gpm) against a discharge pressure head of 1.03 Bar (15 psig) requires 4.1 Bar (60 psig) and 21.3 Nm³/h (12.5 scfm) air consumption. (See dot on chart.)

Caution: Do not exceed 8.6 Bar (125 psig) air supply pressure.



Flow rates indicated on chart were determined by pumping water.

For optimum life and performance, pumps should be specified so that daily operation parameters will fall in the center of the pump performance curve.

TECHNIQUES DES FLUIDES

10 Rue Jean Poulmarch, bat. 3

Z.I. Du Val d'Argent

95100 Argenteuil

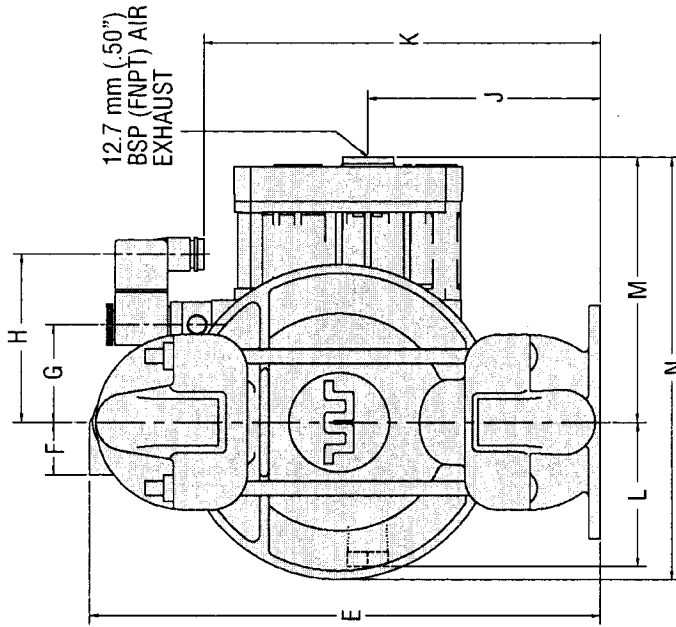
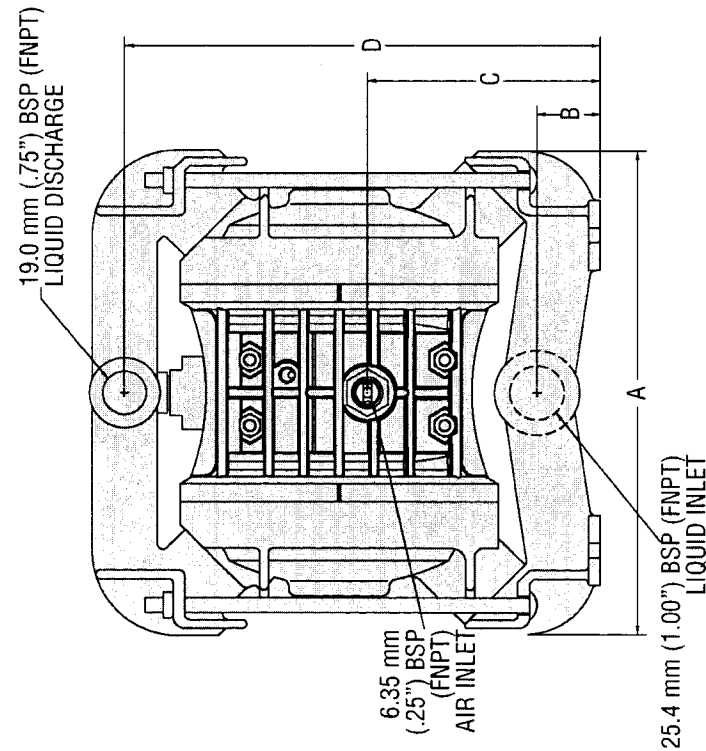
Tel. : 01.34.11.13.73 / Fax : 01.34.11.96.35

E-mail : tdf@techniquesfluides.fr

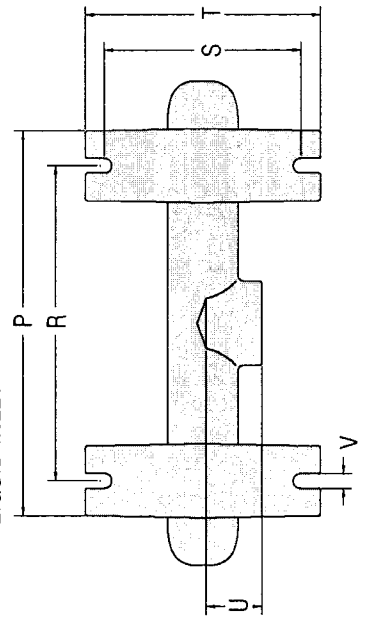
Site web : www.techniquesfluides.fr



WILDEN MODEL A2P METAL ACCU-FLO™



DIMENSIONS - A2P (METAL)		
ITEM	METRIC (mm)	STANDARD (inch)
A	267	10.53
B	36	1.43
C	124	4.94
D	254	10.00
E	279	11.00
F	28	1.13
G	53	2.06
H	91	3.56
J	124	4.94
K	213	8.42
L	76	3.03
M	142	5.63
N	229	8.98
P	211	8.25
R	173	6.75
S	107	4.19
T	127	5.00
U	33	1.25
V	8	.31



TECHNIQUES DES FLUIDES

10 Rue Jean Poulmarch, bat. 3

Z.I. Du Val d'Argent

95100 Argenteuil

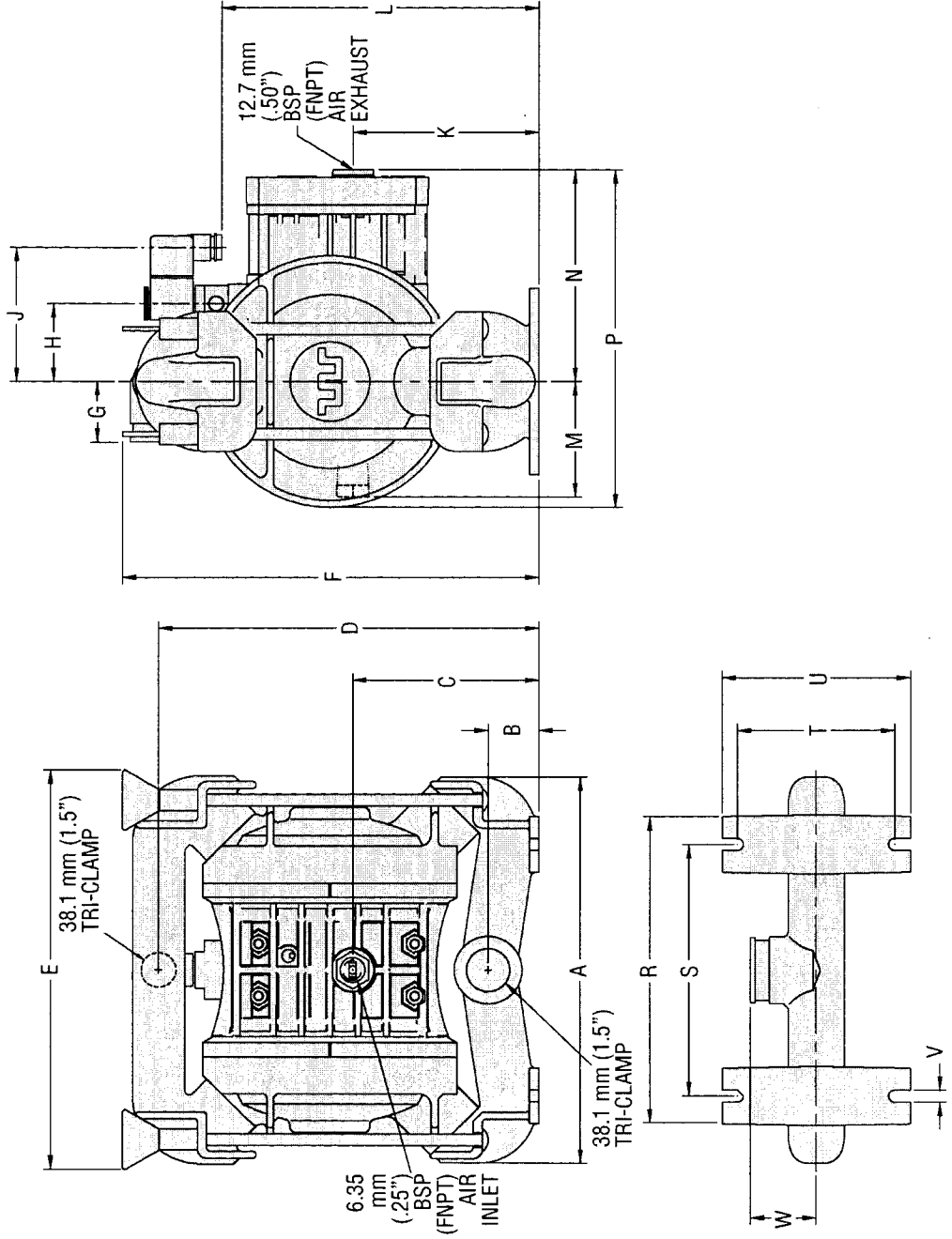
Tel. : 01.34.11.13.73 / Fax : 01.34.11.96.35

E-mail : tdf@techniquesfluides.fr

Site web : www.techniquesfluides.fr



WILDEN MÔDEL A2P METAL SÂNIFLOFDA ACCU-FLO™



DIMENSIONS - A2P (FOOD PROCESSING)		
ITEM	METRIC (mm)	STANDARD (inch)
A	267	10.53
B	36	1.43
C	124	4.94
D	254	10.00
E	267	10.50
F	295	11.63
G	41	1.63
H	53	2.06
J	91	3.56
K	124	4.94
L	213	8.42
M	76	3.03
N	117	4.59
P	203	8.00
R	211	8.25
S	173	6.75
T	107	4.19
U	127	5.00
V	8	.31
W	43	1.72

TECHNIQUES DES FLUIDES

10 Rue Jean Poulmarch, bat. 3

Z.I. Du Val d'Argent

95100 Argenteuil

Tel. : 01.34.11.13.73 / Fax : 01.34.11.96.35

E-mail : tdf@techniquesfluides.fr

Site web : www.techniquesfluides.fr



MODEL A2P METAL RUBBER-FITTED

Height.....	279 mm (11.00")
Width.....	267 mm (10.53")
Depth.....	229 mm (8.98")
Ship Weight	Aluminum 12 kg (26 lbs.)
	Stainless Steel 16.6 kg (36 lbs.)
	Hastelloy 16 kg (40 lbs.)
Air Inlet.....	6.35 mm (1/4")
Inlet.....	25.4 mm (1")
Outlet.....	19.0 mm (3/4")
Suction Lift.....	7.43 m Dry (24.4')
	9.68 m Wet (31.8')

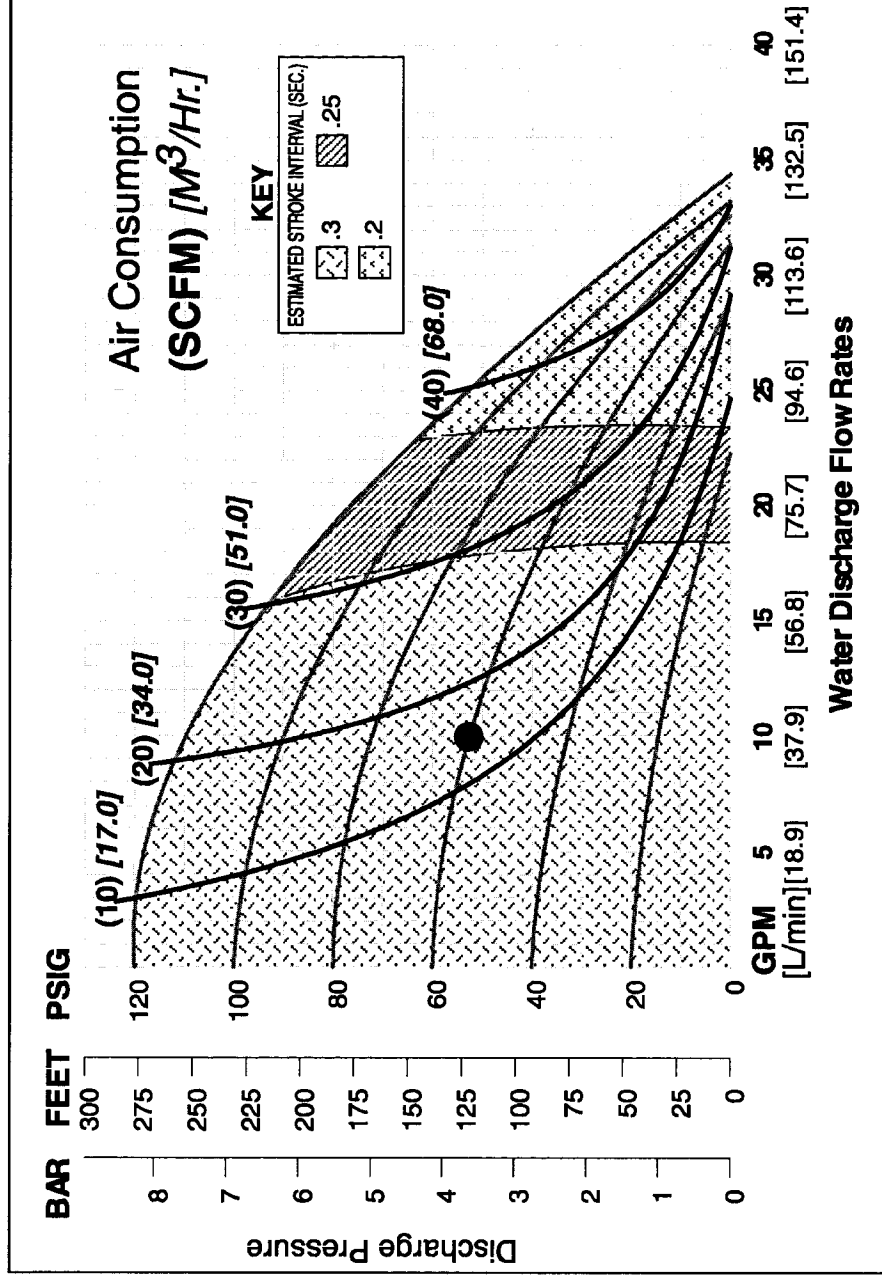
Displacement per

Stroke	35 l (.092 gal.) ¹
Max. Flow Rate.....	130.2 lpm (34.4 gpm)
Max. Size Solids.....	3.18 mm (1/8")

¹Displacement per stroke was calculated at 4.8 Bar (70 psig) air inlet pressure against a 2 Bar (30 psig) head pressure.

Example: To pump 37.9 lpm (10 gpm) against a discharge pressure head of 3.6 Bar (52 psig) requires 4.1 Bar (60 psig) and 23.8 Nm³/h (14 scfm) air consumption. (See dot on chart.)

Caution: Do not exceed 8.6 Bar (125 psig) air supply pressure.



Flow rates indicated on chart were determined by pumping water.

For optimum life and performance, pumps should be specified so that daily operation parameters will fall in the center of the pump performance curve.

TECHNIQUES DES FLUIDES

10 Rue Jean Poulmarch, bat. 3
 Z.I. Du Val d'Argent
 95100 Argenteuil
 Tel. : 01.34.11.13.73 / Fax : 01.34.11.96.35

E-mail : tdf@techniquesfluides.fr
 Site web : www.techniquesfluides.fr



MODEL A2P METAL TEFLON®-FITTED

Height.....279 mm (11.00")
 Width.....267 mm (10.53")
 Depth.....229 mm (8.98")
 Ship Weight.....Aluminum 12 kg (26 lbs.)
 Stainless Steel 16.6 kg (36 lbs.)
 Hastelloy 16 kg (40 lbs.)
 Air Inlet.....6.35 mm (¼")
 Inlet.....25.4 mm (1")
 Outlet.....19.0 mm (¾")
 Suction Lift.....6.55 m Dry (21.5')
 8.99 m Wet (29.5')

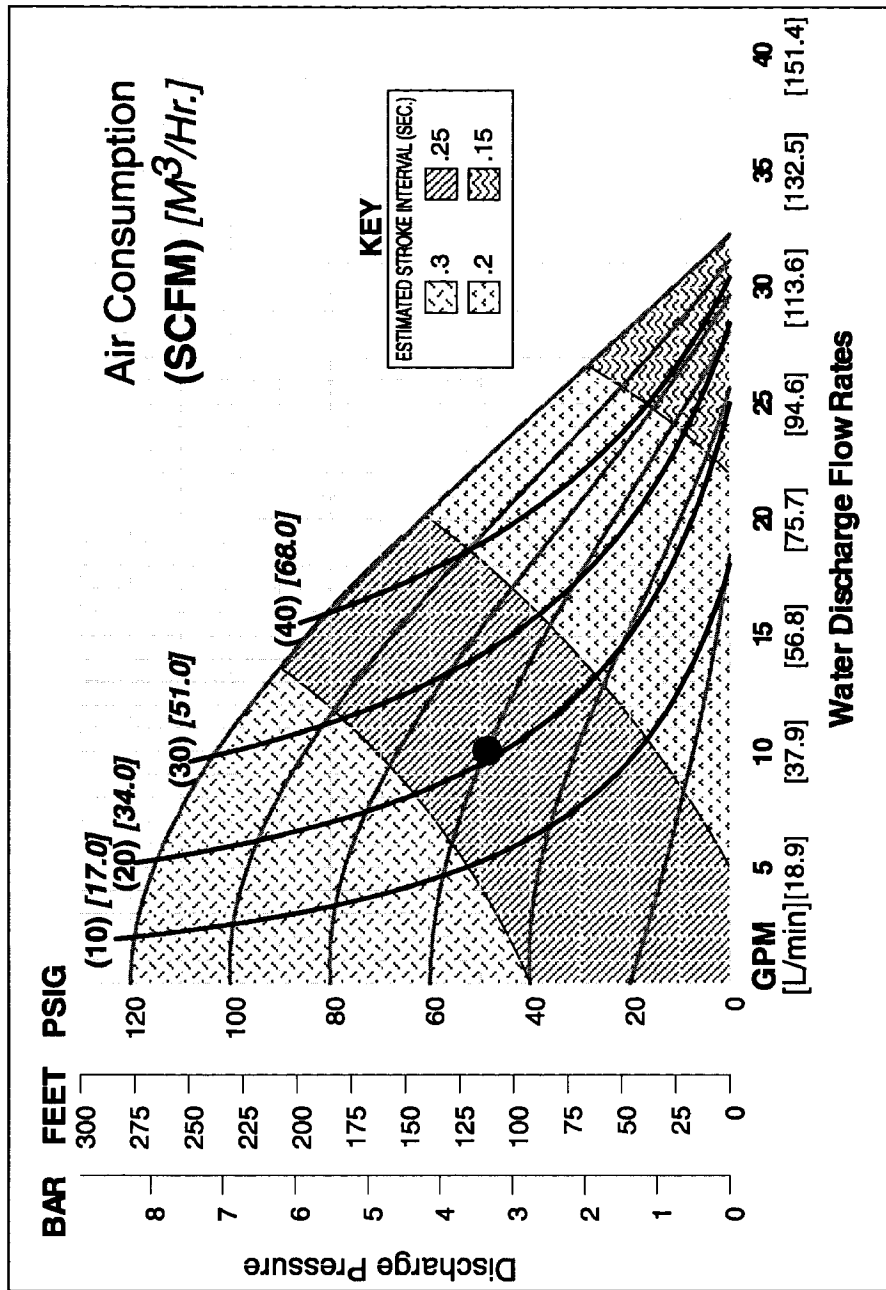
Displacement per

Stroke.....20 l (.054 gal.)¹
 Max. Flow Rate.....122.3 lpm (32.3 gpm)
 Max. Size Solids.....3.18 mm (1/16")

¹Displacement per stroke was calculated at 4.8 Bar (70 psig) air inlet pressure against a 2 Bar (30 psig) head pressure.

Example: To pump 37.9 lpm (10 gpm) against a discharge pressure head of 3.4 Bar (49 psig) requires 4.1 Bar (60 psig) and 35.7 Nm³/h (21 scfm) air consumption. (See dot on chart.)

Caution: Do not exceed 8.6 Bar (125 psig) air supply pressure.



Flow rates indicated on chart were determined by pumping water.

For optimum life and performance, pumps should be specified so that daily operation parameters will fall in the center of the pump performance curve.

TECHNIQUES DES FLUIDES

10 Rue Jean Poulmarch, bat. 3

Z.I. Du Val d'Argent

95100 Argenteuil

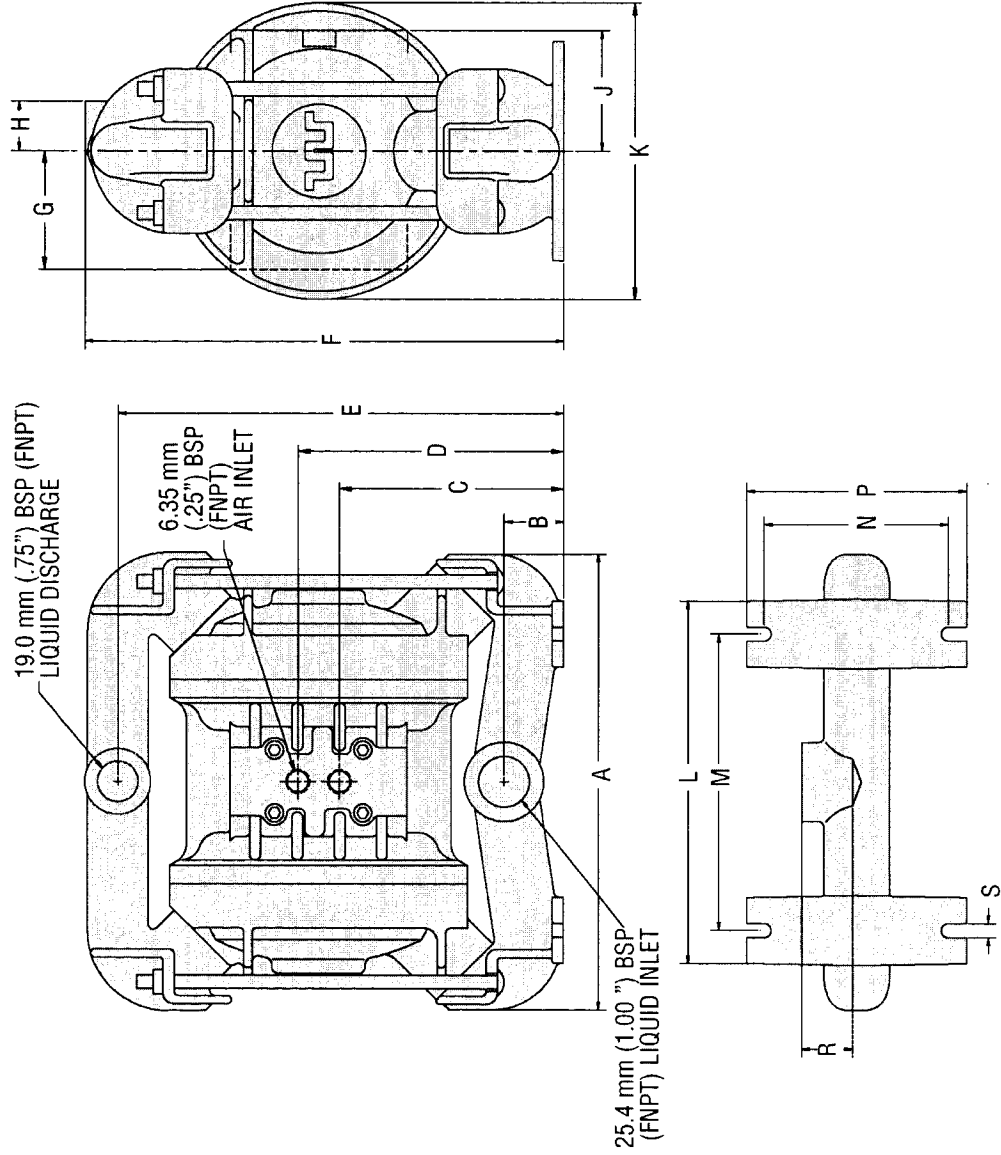
Tel. : 01.34.11.13.73 / Fax : 01.34.11.96.35

E-mail : tdf@techniquesfluides.fr

Site web : www.techniquesfluides.fr



WILDEN MODEL A2B METAL (T-SERIES CENTER SECTION)



ITEM	DIMENSIONS - A2B (METAL)	
	METRIC (mm)	STANDARD (inch)
A	267	10.53
B	36	1.43
C	130	5.06
D	152	6.00
E	254	10.00
F	279	11.00
G	69	2.69
H	28	1.13
J	76	3.03
K	173	6.75
L	211	8.25
M	173	6.75
N	107	4.19
P	127	5.00
R	33	1.25
S	8	.31

TECHNIQUES DES FLUIDES

10 Rue Jean Poulmarch, bat. 3

Z.I. Du Val d'Argent

95100 Argenteuil

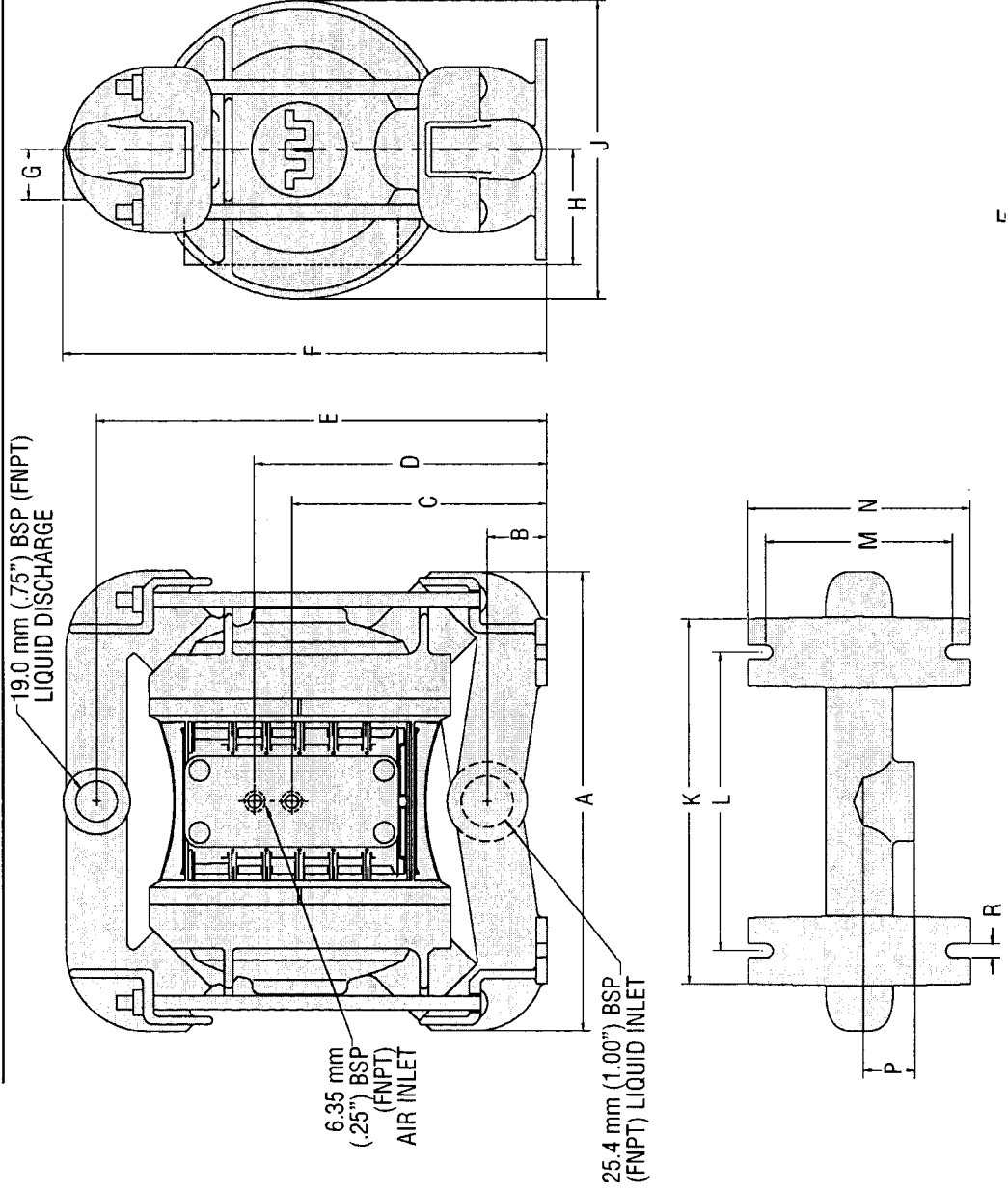
Tel. : 01.34.11.13.73 / Fax : 01.34.11.96.35

E-mail : tdf@techniquesfluides.fr

Site web : www.techniquesfluides.fr



WILDEN MODEL A2B METAL (P-SERIES CENTER SECTION)



DIMENSIONS - A2B (METAL)		
ITEM	METRIC (mm)	STANDARD (inch)
A	267	10.53
B	36	1.43
C	145	5.72
D	168	6.56
E	254	10.00
F	279	11.00
G	28	1.13
H	66	2.59
J	173	6.75
K	211	8.25
L	173	6.75
M	107	4.19
N	127	5.00
P	33	1.25
R	8	.31