

TECHNIQUES DES FLUIDES

10 Rue Jean Poulmarch, bat. 3

Z.I. Du Val d'Argent

95100 Argenteuil

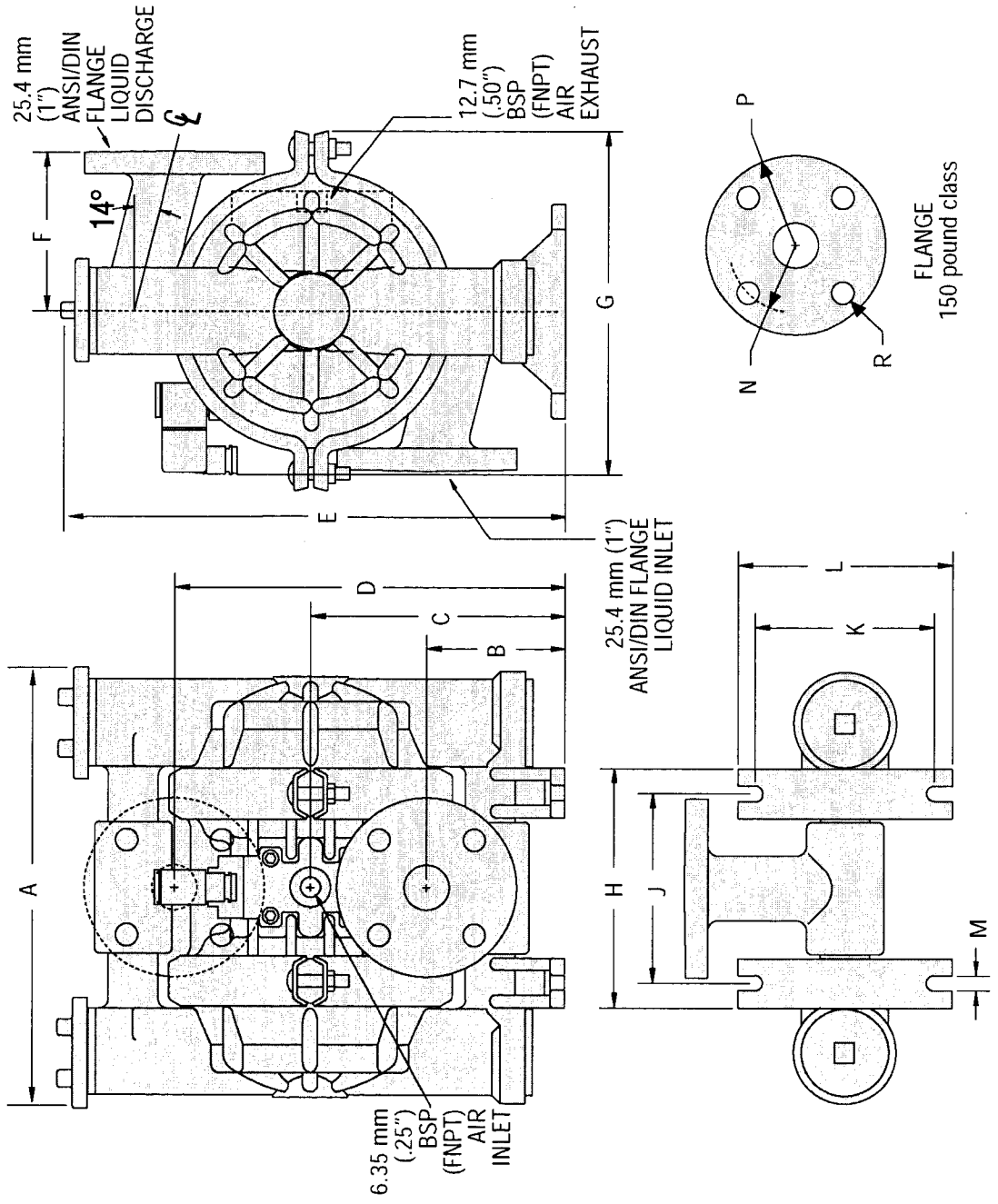
Tel. : 01.34.11.13.73 / Fax : 01.34.11.96.35

E-mail : tdf@techniquesfluides.fr

Site web : www.techniquesfluides.fr



WILDEN MODEL A2T PLASTIC ACCU-FLO™



DIMENSIONS - A2 (PLASTIC)			
ACCU-FLO™			
ITEM	METRIC (mm)	STANDARD (inch)	
A	297	11.69	
B	74	2.91	
C	163	6.38	
D	251	9.94	
E	335	13.16	
F	107	4.19	
G	229	9.03	
H	157	6.19	
J	124	4.91	
K	114	4.53	
L	137	5.44	
M	10	.38	
N	80 DIA.	3.13 DIA.	
P	108 DIA.	4.25 DIA.	
R	16 DIA.	.63 DIA.	

TECHNIQUES DES FLUIDES

10 Rue Jean Poulmarch, bat. 3

Z.I. Du Val d'Argent

95100 Argenteuil

Tel. : 01.34.11.13.73 / Fax : 01.34.11.96.35

E-mail : tdf@techniquesfluides.fr

Site web : www.techniquesfluides.fr



MODEL A2T PLASTIC RUBBER-FITTED

Height.....	335 mm (13.16")
Width.....	297 mm (11.69")
Depth.....	239 mm (9.38")
Ship Weight	Polypropylene 8.26 kg (18 lbs.)
	PVDF 10.4 kg (23 lbs.)
Air Inlet	6.35 mm (1/4")
Inlet	25.4 mm (1")
Outlet.....	25.4 mm (1")
Suction Lift	4.5 m Dry (14.7')
	9.3 m Wet (30.6')

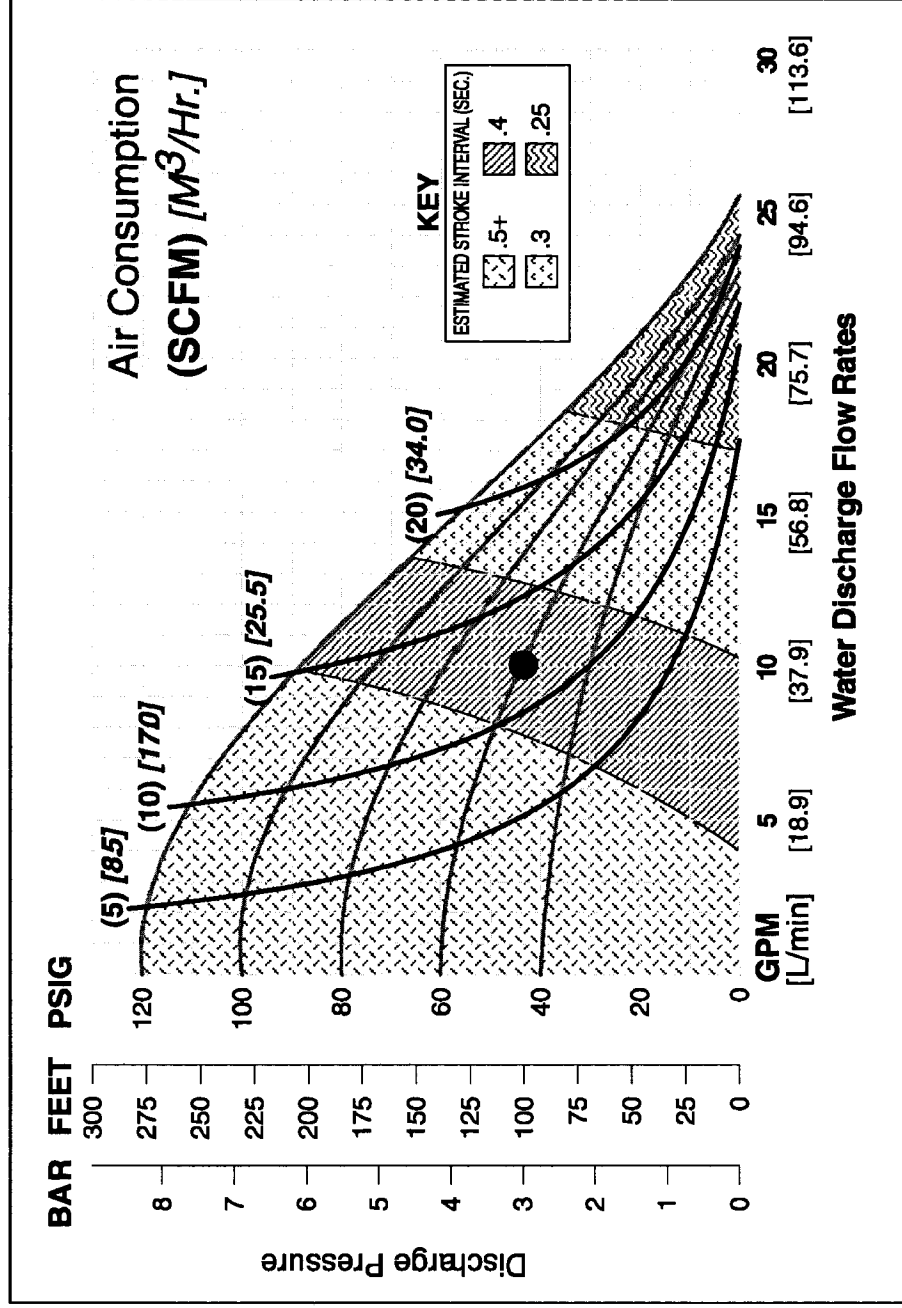
Displacement per

Stroke348 l (.092 gal.) ¹
Max. Flow Rate.....	95.8 lpm (25.3 gpm)
Max. Size Solids.....	3.18 mm (1/8")

¹Displacement per stroke was calculated at 4.8 Bar (70 psig) air inlet pressure against a 2 Bar (30 psig) head pressure.

Example: To pump 37.9 lpm (10 gpm) against a discharge pressure head of 3.0 Bar (44 psig) requires 4.1 Bar (60 psig) and 20.4 Nm³/h (12.0 scfm) air consumption. (See dot on chart.)

Caution: Do not exceed 8.6 Bar (125 psig) air supply pressure.



Flow rates indicated on chart were determined by pumping water.

For optimum life and performance, pumps should be specified so that daily operation parameters will fall in the center of the pump performance curve.

TECHNIQUES DES FLUIDES

10 Rue Jean Poulmarch, bat. 3

Z.I. Du Val d'Argent

95100 Argenteuil

Tel. : 01.34.11.13.73 / Fax : 01.34.11.96.35

E-mail : tdf@techniquesfluides.fr

Site web : www.techniquesfluides.fr



MODEL A2T PLASTIC TEFLON®-FITTED

Height.....	335 mm (13.16")
Width.....	297 mm (11.69")
Depth.....	239 mm (9.38")
Ship Weight	Polypropylene 8.26 kg (18 lbs.)
	PVDF 10.4 kg (23 lbs.)
Air Inlet	6.35 mm (¼")
Inlet	25.4 mm (1")
Outlet.....	25.4 mm (1")
Suction Lift	3.5 m Dry (11.3')
	9.3 m Wet (30.6')

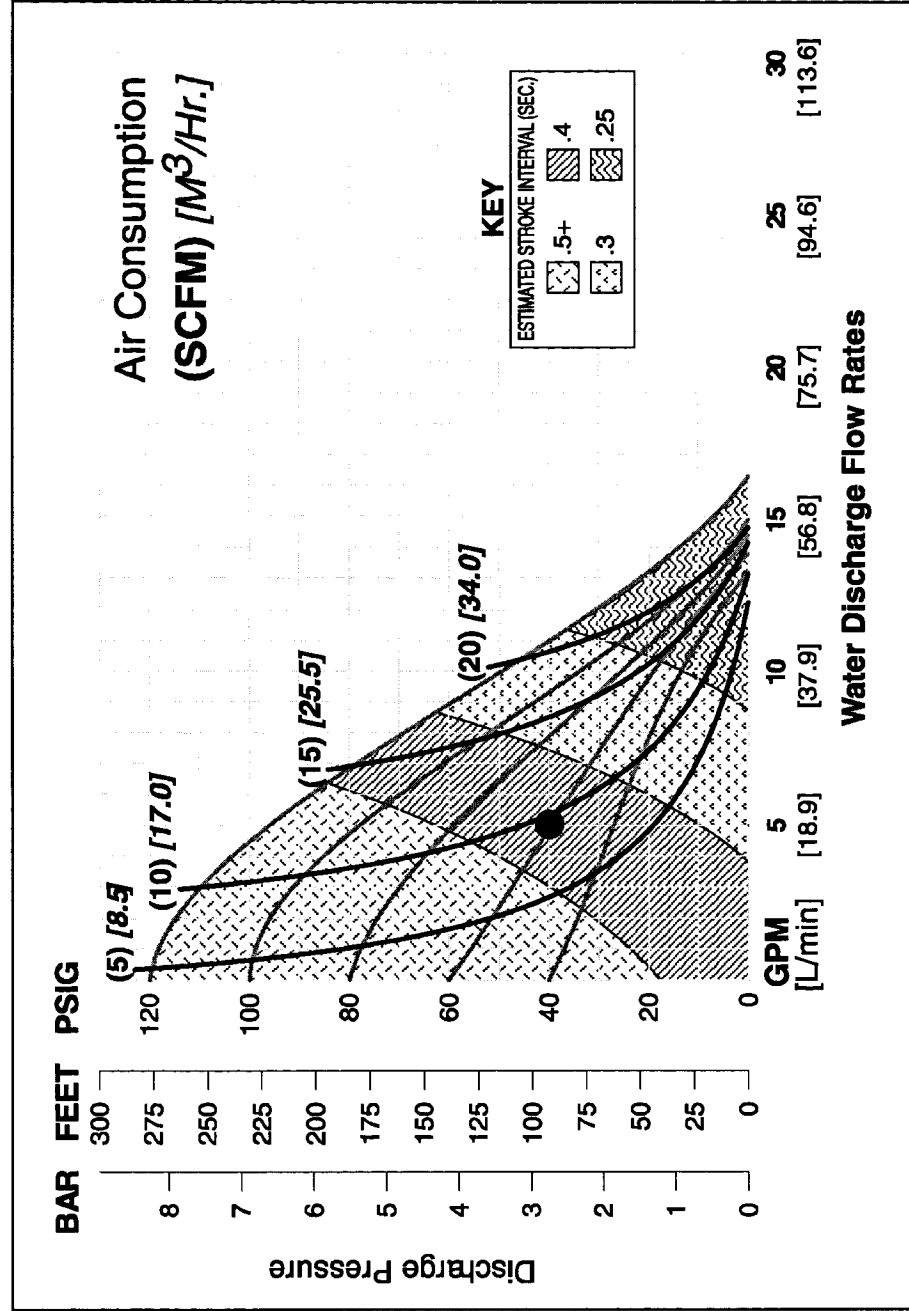
Displacement per

Stroke204 l (.054 gal.) ¹
Max. Flow Rate.....	61.7 lpm (16.3 gpm)
Max. Size Solids.....	3.18 mm (¼")

¹Displacement per stroke was calculated at 4.8 Bar (70 psig) air inlet pressure against a 2 Bar (30 psig) head pressure.

Example: To pump 18.95 lpm (5 gpm) against a discharge pressure head of 2.8 Bar (40 psig) requires 4.1 Bar (60 psig) and 15.3 Nm³/h (9 scfm) air consumption. (See dot on chart.)

Caution: Do not exceed **8.6 Bar (125 psig) air supply pressure.**



Flow rates indicated on chart were determined by pumping water.

For optimum life and performance, pumps should be specified so that daily operation parameters will fall in the center of the pump performance curve.

TECHNIQUES DES FLUIDES

10 Rue Jean Poulmarch, bat. 3

Z.I. Du Val d'Argent

95100 Argenteuil

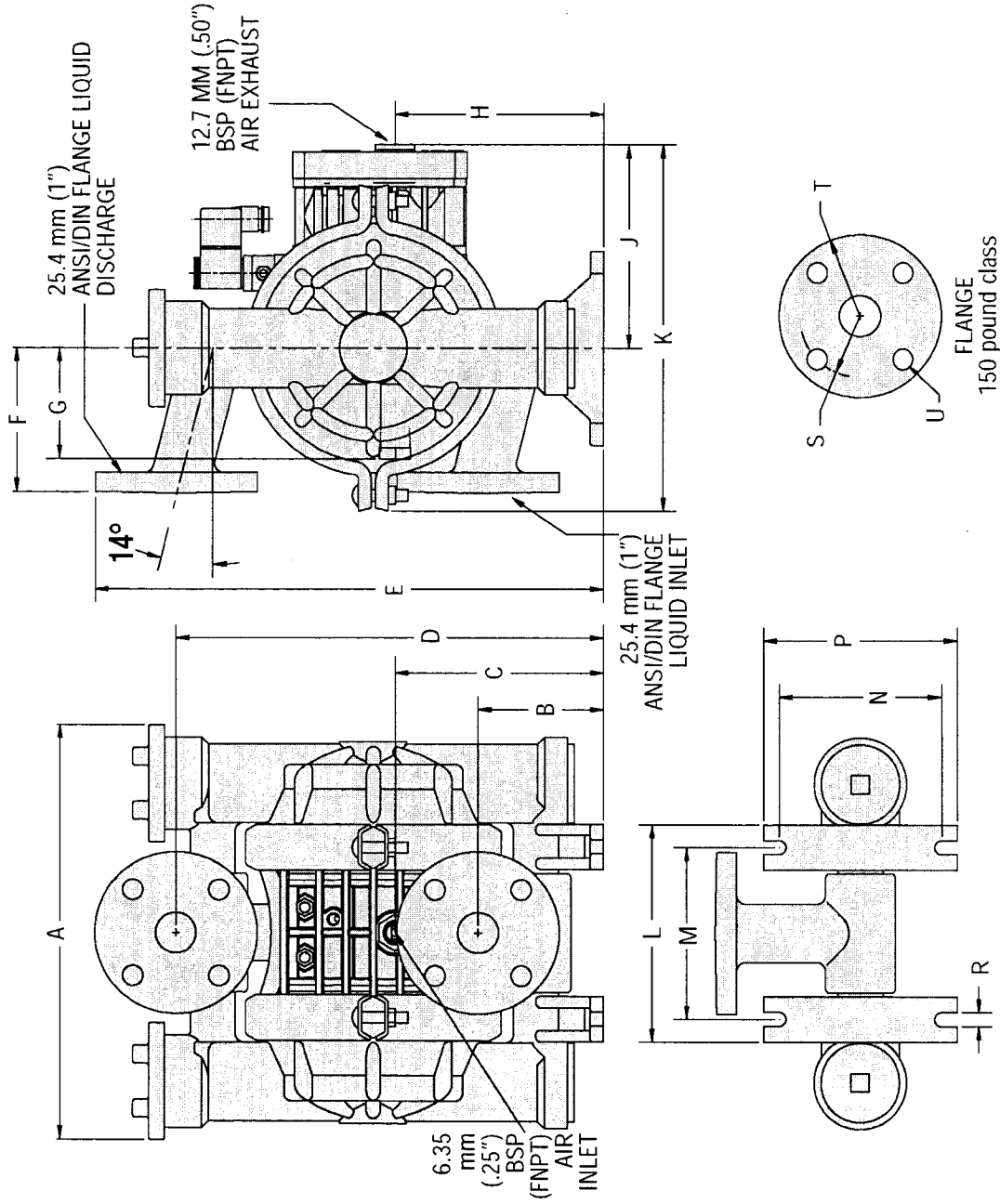
Tel. : 01.34.11.13.73 / Fax : 01.34.11.96.35

E-mail : tdf@techniquesfluides.fr

Site web : www.techniquesfluides.fr



WILDEN MODEL A2P PLASTIC ACCU-FLO™



ITEM	DIMENSIONS - A2 (PLASTIC) ACCU-FLO™	
	METRIC (mm)	STANDARD (inch)
A	297	11.69
B	74	2.91
C	147	5.78
D	307	12.13
E	356	14.00
F	107	4.19
G	69	2.66
H	91	3.56
J	142	5.63
K	259	10.16
L	114	4.53
M	137	5.44
N	124	4.91
P	157	6.19
R	10	.38
S	80 DIA.	3.13 DIA.
T	108 DIA.	4.25 DIA.
U	16 DIA.	.63 DIA.

TECHNIQUES DES FLUIDES

10 Rue Jean Poulmarch, bat. 3

Z.I. Du Val d'Argent

95100 Argenteuil

Tel. : 01.34.11.13.73 / Fax : 01.34.11.96.35

E-mail : tdf@techniquesfluides.fr

Site web : www.techniquesfluides.fr



MODEL A2P PLASTIC RUBBER-FITTED

Height.....	356 mm (14.00")
Width.....	297 mm (11.69")
Depth.....	259 mm (10.16")
Ship Weight	Polypropylene 8.26 kg (18 lbs.)
	PVDF 10.4 kg (23 lbs.)
Air Inlet	6.35 mm (1/4")
Inlet	25.4 mm (1")
Outlet.....	25.4 mm (1")
Suction Lift	6.2 m Dry (20.4')
	9.0 m Wet (29.5')

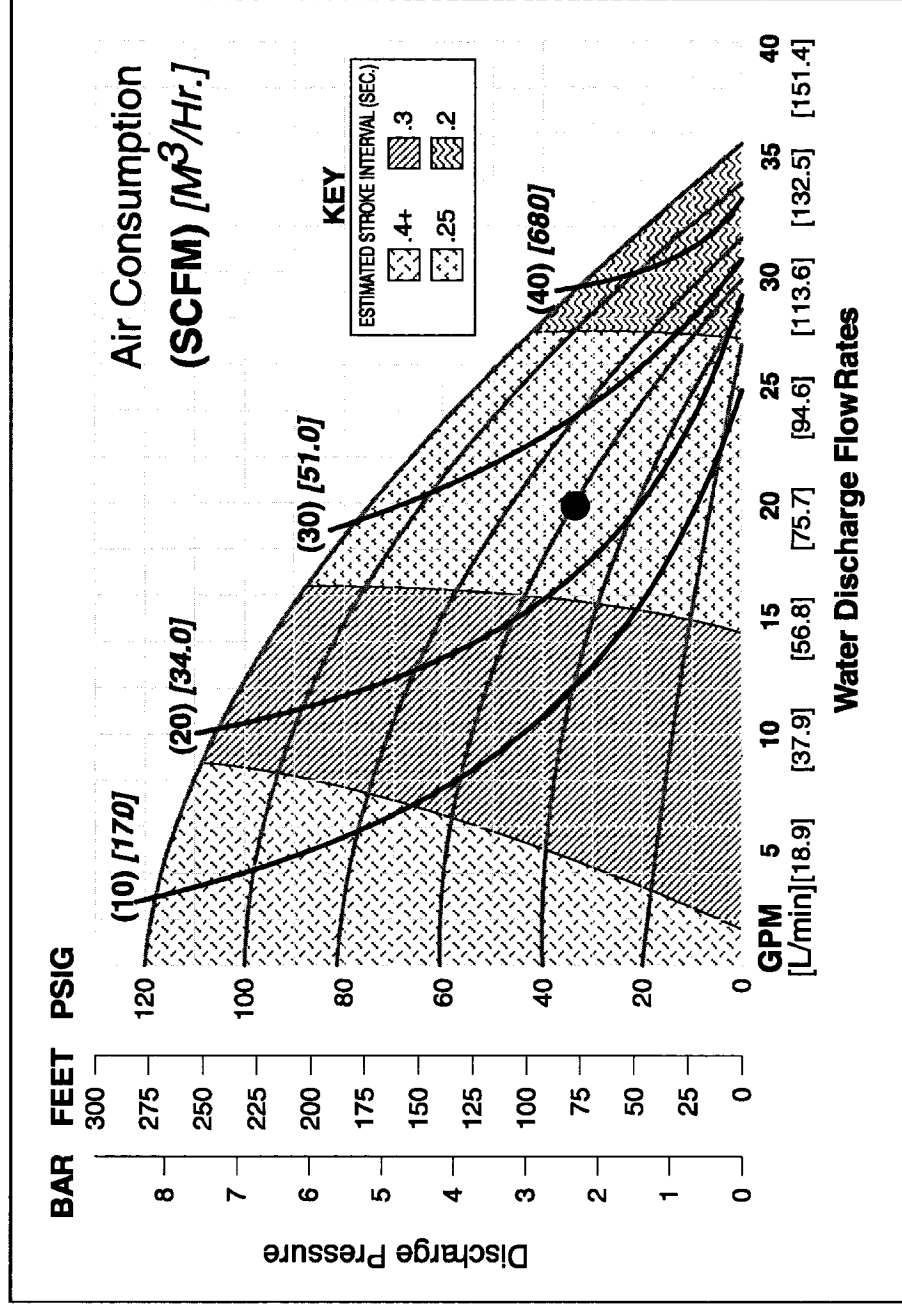
Displacement per

Stroke287 l (.076 gal.) ¹
Max. Flow Rate.....	134.8 lpm (35.6 gpm)
Max. Size Solids.....	3.18 mm (1/8")

¹Displacement per stroke was calculated at 4.8 Bar (70 psig) air inlet pressure against a 2 Bar (30 psig) head pressure.

Example: To pump 75.7 lpm (20 gpm) against a discharge pressure head of 2.6 Bar (37 psig) requires 4.1 Bar (60 psig) and 40.8 Nm³/h (24 scfm) air consumption. (See dot on chart.)

Caution: Do not exceed 8.6 Bar (125 psig) air supply pressure.



Flow rates indicated on chart were determined by pumping water.

For optimum life and performance, pumps should be specified so that daily operation parameters will fall in the center of the pump performance curve.

TECHNIQUES DES FLUIDES

10 Rue Jean Poulmarch, bat. 3

Z.I. Du Val d'Argent

95100 Argenteuil

Tel. : 01.34.11.13.73 / Fax : 01.34.11.96.35

E-mail : tdf@techniquesfluides.fr

Site web : www.techniquesfluides.fr



MODEL A2P PLASTIC TEFLON®-FITTED

Height.....	356 mm (14.00")
Width.....	297 mm (11.69")
Depth.....	259 mm (10.16")
Ship Weight.....	Polypropylene 8.26 kg (18 lbs.)
	PVDF 10.4 kg (23 lbs.)
Air Inlet	6.35 mm (1/4")
Inlet	25.4 mm (1")
Outlet.....	25.4 mm (1")
Suction Lift	5.2 m Dry (17.0') 9.0 m Wet (29.5')

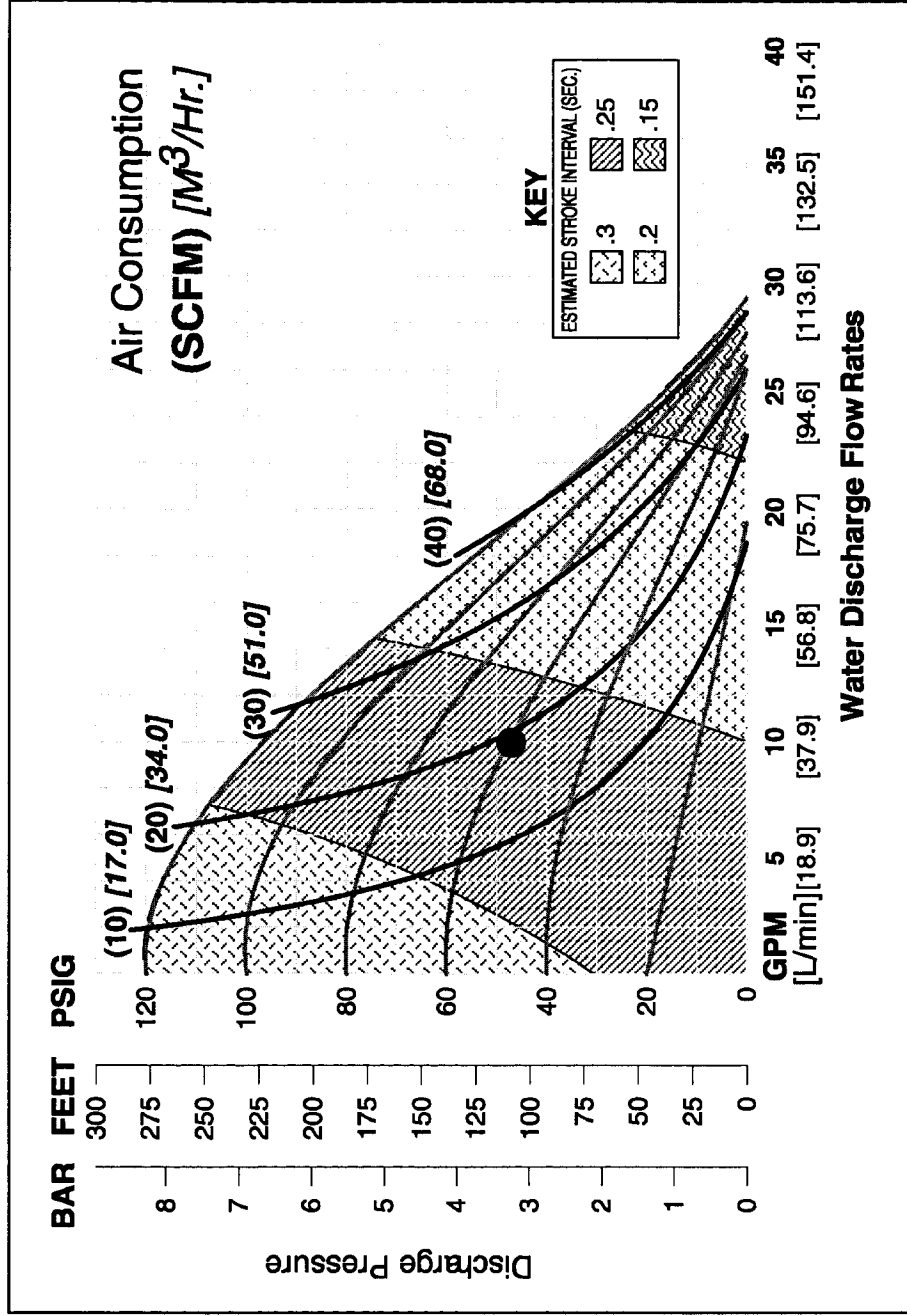
Displacement per

Stroke242 l (.064 gal.) ¹
Max. Flow Rate.....	110.2 lpm (29.1 gpm)
Max. Size Solids.....	3.18 mm (1/8")

¹Displacement per stroke was calculated at 4.8 Bar (70 psig) air inlet pressure against a 2 Bar (30 psig) head pressure.

Example: To pump 37.9 lpm (10 gpm) against a discharge pressure head of 3.2 Bar (48 psig) requires 4.1 Bar (60 psig) and 32.3 Nm³/h (19 scfm) air consumption. (See dot on chart.)

Caution: Do not exceed 8.6 Bar (125 psig) air supply pressure.



Flow rates indicated on chart were determined by pumping water.

For optimum life and performance, pumps should be specified so that daily operation parameters will fall in the center of the pump performance curve.

TECHNIQUES DES FLUIDES

10 Rue Jean Poulimarch, bat. 3

Z.I. Du Val d'Argent

95100 Argenteuil

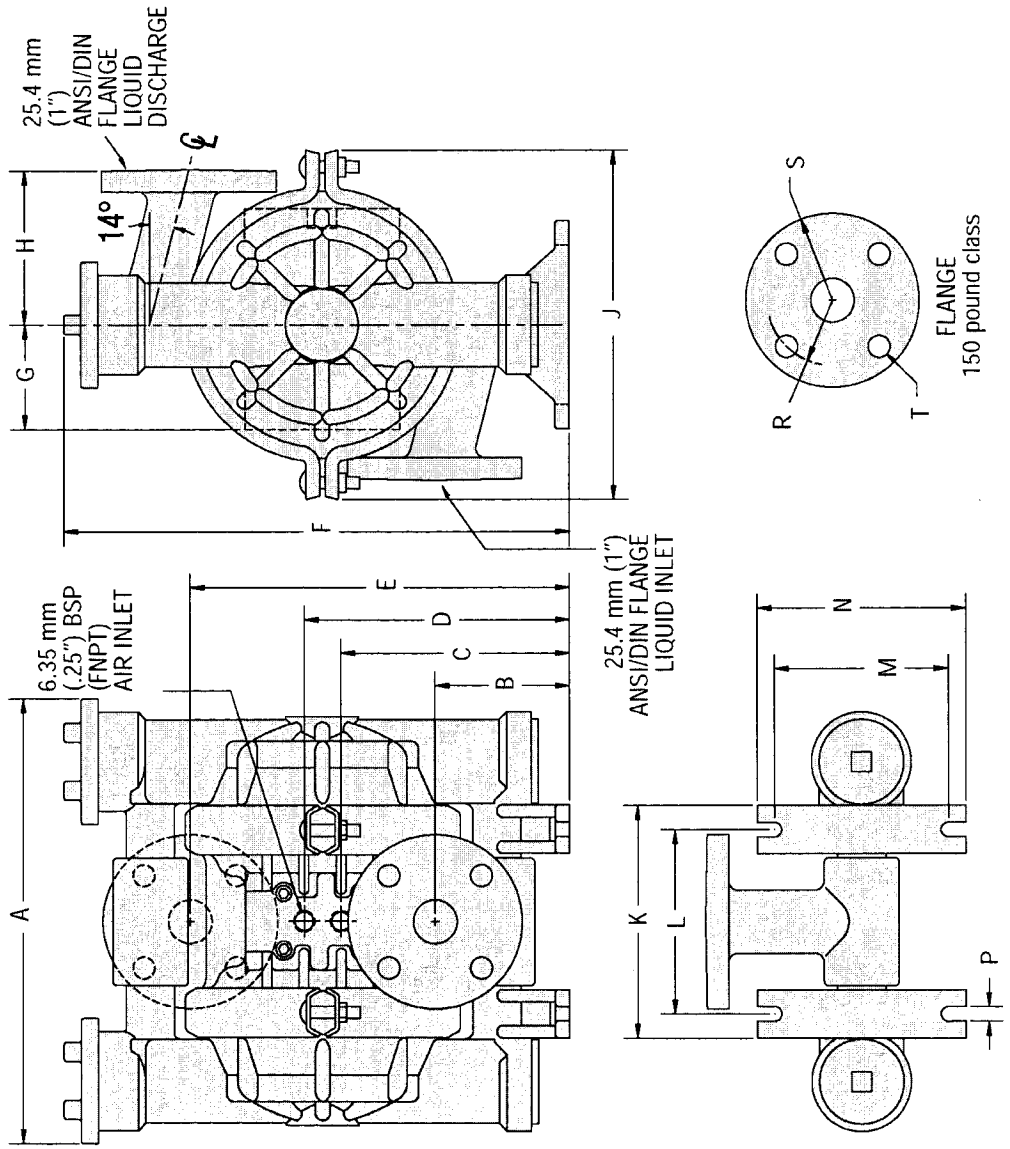
Tel. : 01.34.11.13.73 / Fax : 01.34.11.96.35

E-mail : tdf@techniquesfluides.fr

Site web : www.techniquesfluides.fr



WILDEN MODEL A2B PLASTIC (T-SERIES CENTER SECTION)



ITEM	DIMENSIONS - A2 (PLASTIC) ACCU-FLO™	
	METRIC (mm)	STANDARD (inch)
A	297	11.69
B	74	2.91
C	150	5.91
D	173	6.84
E	251	9.94
F	335	13.16
G	69	2.69
H	107	4.19
J	239	9.38
K	114	4.53
L	137	5.44
M	124	4.91
N	157	6.19
P	10	.38
R	80 DIA.	3.13 DIA.
S	108 DIA.	4.25 DIA.
T	16 DIA.	.63 DIA.

TECHNIQUES DES FLUIDES

10 Rue Jean Poulmarch, bat. 3

Z.I. Du Val d'Argent

95100 Argenteuil

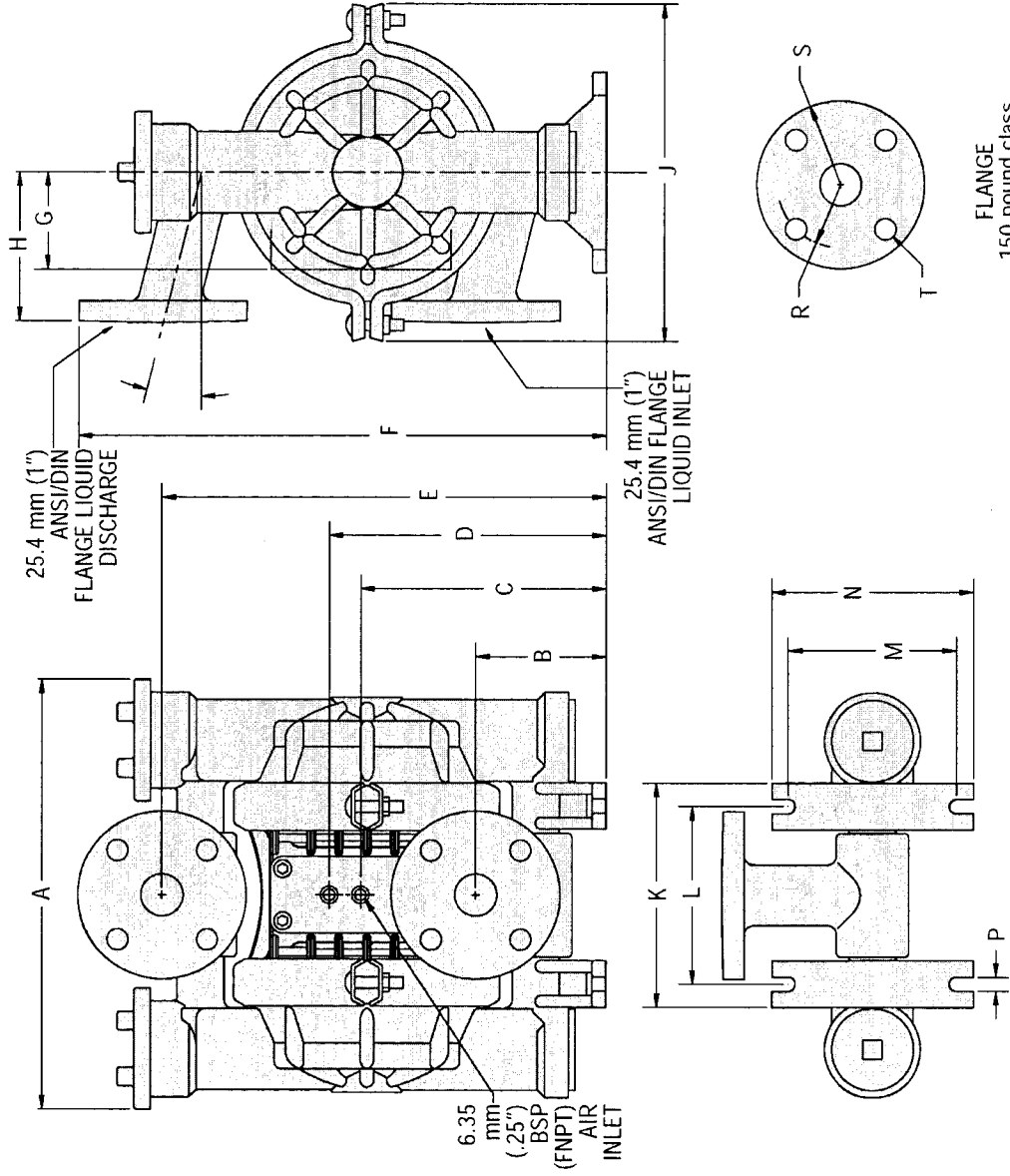
Tel. : 01.34.11.13.73 / Fax : 01.34.11.96.35

E-mail : tdf@techniquesfluides.fr

Site web : www.techniquesfluides.fr



WILDEN MODEL A2B PLASTIC (P-SERIES CENTER SECTION)



ITEM	DIMENSIONS - A2 (PLASTIC) ACCU-FLO™	
	METRIC (mm)	STANDARD (inch)
A	297	11.69
B	74	2.91
C	168	6.56
D	188	7.38
E	307	12.13
F	356	14.00
G	66	2.59
H	107	4.19
J	239	9.38
K	114	4.53
L	137	5.44
M	124	4.91
N	157	6.19
P	10	.38
R	80 DIA.	3.13 DIA.
S	108 DIA.	4.25 DIA.
T	16 DIA.	.63 DIA.