

TECHNIQUES DES FLUIDES

10 Rue Jean Poulmarch, bat. 3

Z.I. Du Val d'Argent

95100 Argenteuil

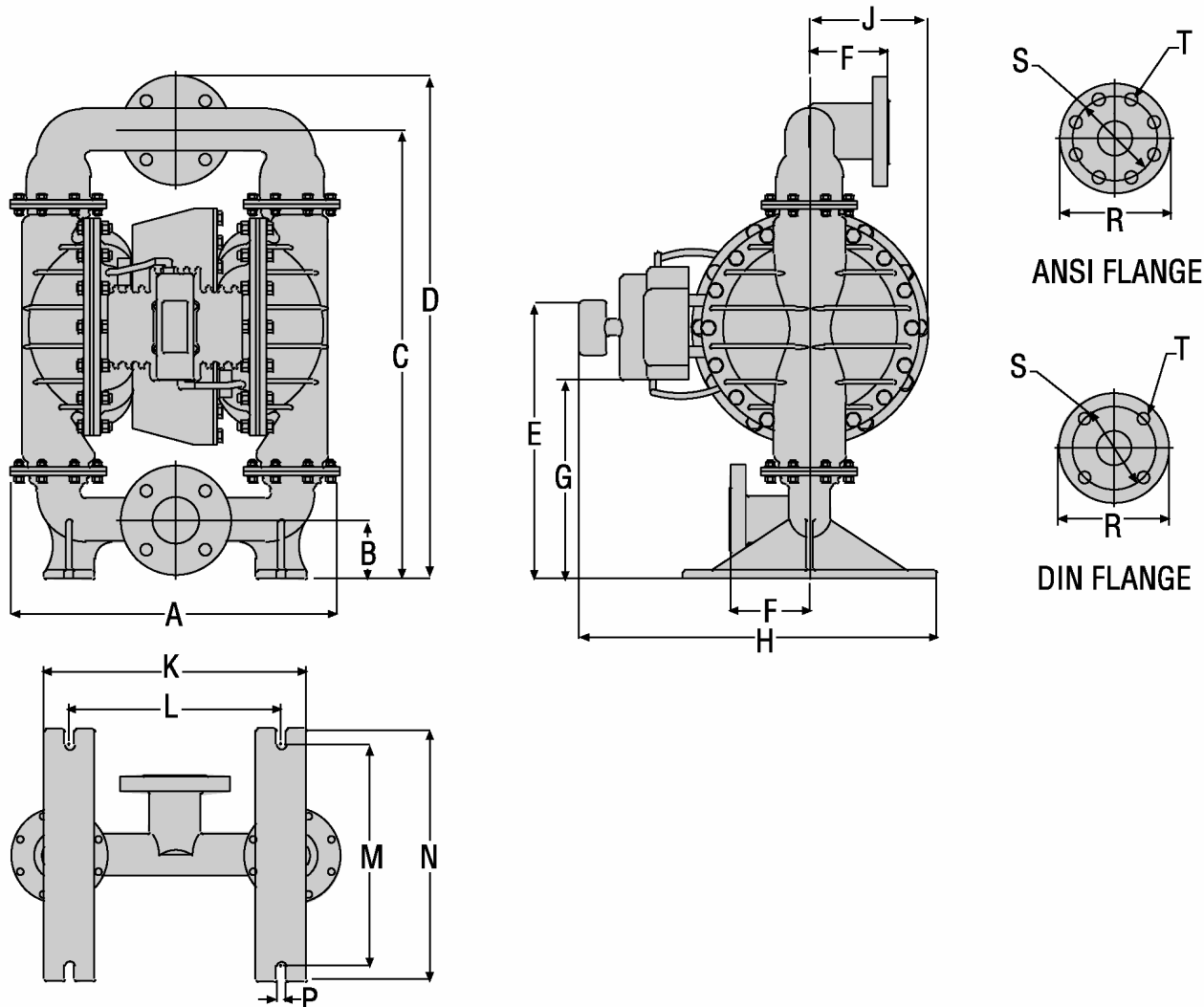
Tel. : 01.34.11.13.73 / Fax : 01.34.11.96.35

E-mail : tdf@techniquesfluides.fr

Site web : www.techniquesfluides.fr



WILDEN MODEL H800



| DIMENSIONS - H800 | | |
|-------------------|-------------|-----------------|
| ITEM | METRIC (mm) | STANDARD (inch) |
| A | 493.7 | 19.43 |
| B | 88.9 | 3.50 |
| C | 676.3 | 26.62 |
| D | 758.8 | 29.87 |
| E | 419.1 | 16.50 |
| F | 117.5 | 4.62 |
| G | 303.2 | 11.93 |
| H | 539.7 | 21.25 |
| J | 176.2 | 6.93 |
| K | 393.7 | 15.50 |
| L | 317.5 | 12.50 |
| M | 325.4 | 12.81 |
| N | 379.4 | 14.93 |
| P | 14.3 | .56 |
| | DIN | ANSI |
| | DN50 | 300 # CLASS |
| R | 165.1 | 6.50 |
| S | 124.9 | 5 |
| T | Ø18.0 | Ø.75 |

TECHNIQUES DES FLUIDES

10 Rue Jean Poulmarch, bat. 3
 Z.I. Du Val d'Argent
 95100 Argenteuil
 Tel. : 01.34.11.13.73 / Fax : 01.34.11.96.35

E-mail : tdf@techniquesfluides.fr
 Site web : www.techniquesfluides.fr



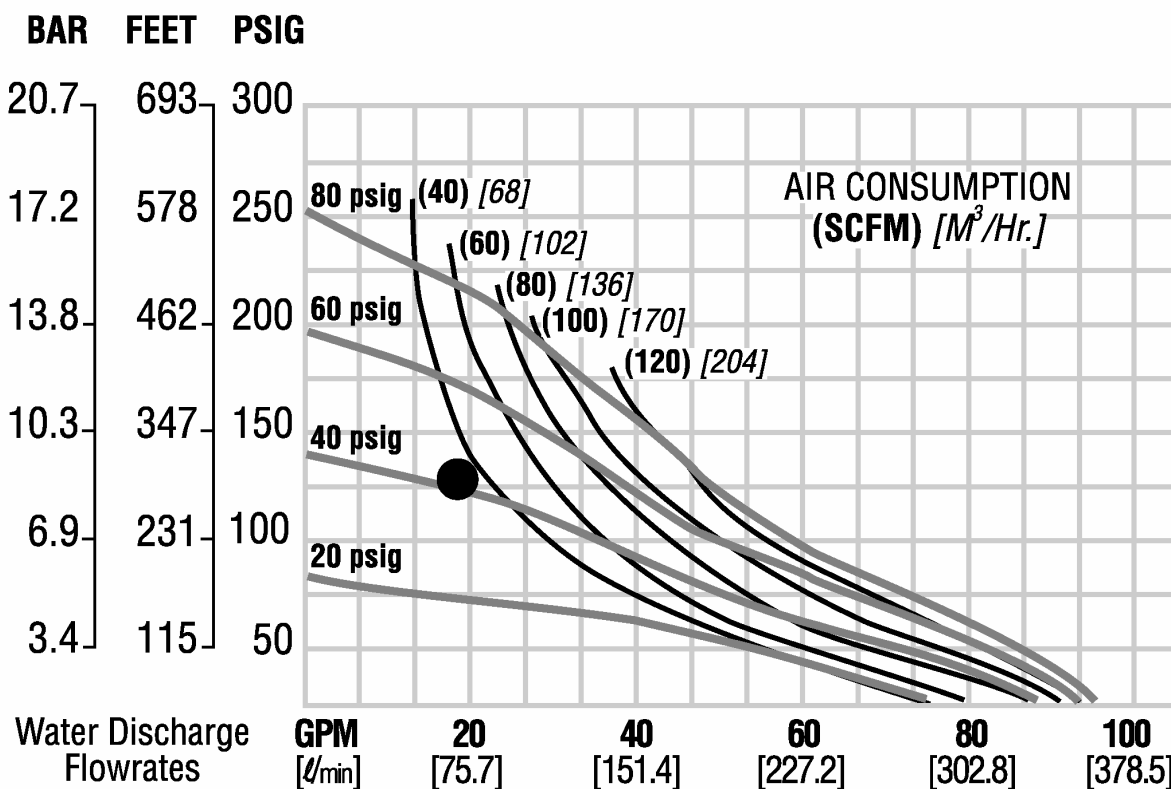
WILDEN MODEL H800

Height.....758.8 mm (29 $\frac{7}{8}$ "
 Width.....493.7 mm (19 $\frac{7}{16}$ "
 Depth.....539.7 mm (21 $\frac{1}{4}$ "
 Weight..... Stainless Steel 128.4 kg (283 lbs.)
 Air Inlet.....1.27 mm (1/2")
 Inlet.....5.08 mm (2")
 Outlet.....5.08 mm (2")
 Suction Lift..... 3.66 m Dry (12')
 9.14 m Wet (30')

 Displacement per
 Stroke.....1.67 l (0.44 gal.)
 Max. Flow Rate.....359.6 l/m (95 gpm)
 Max. Size Solids.....1.27 mm (1/2")

Example: To pump 20 gpm against a discharge head of 125 psig requires 42 psig and 38 scfm air consumption. (See dot on chart.)

¹Displacement per stroke was calculated at 70 psig air inlet pressure against a 75 psig head pressure.



Flow rates indicated on chart were determined by actually pumping water in calibrated tanks.

For optimum life and performance, pumps should be specified so that daily operation parameters will fall in the center of the pump performance curve.