

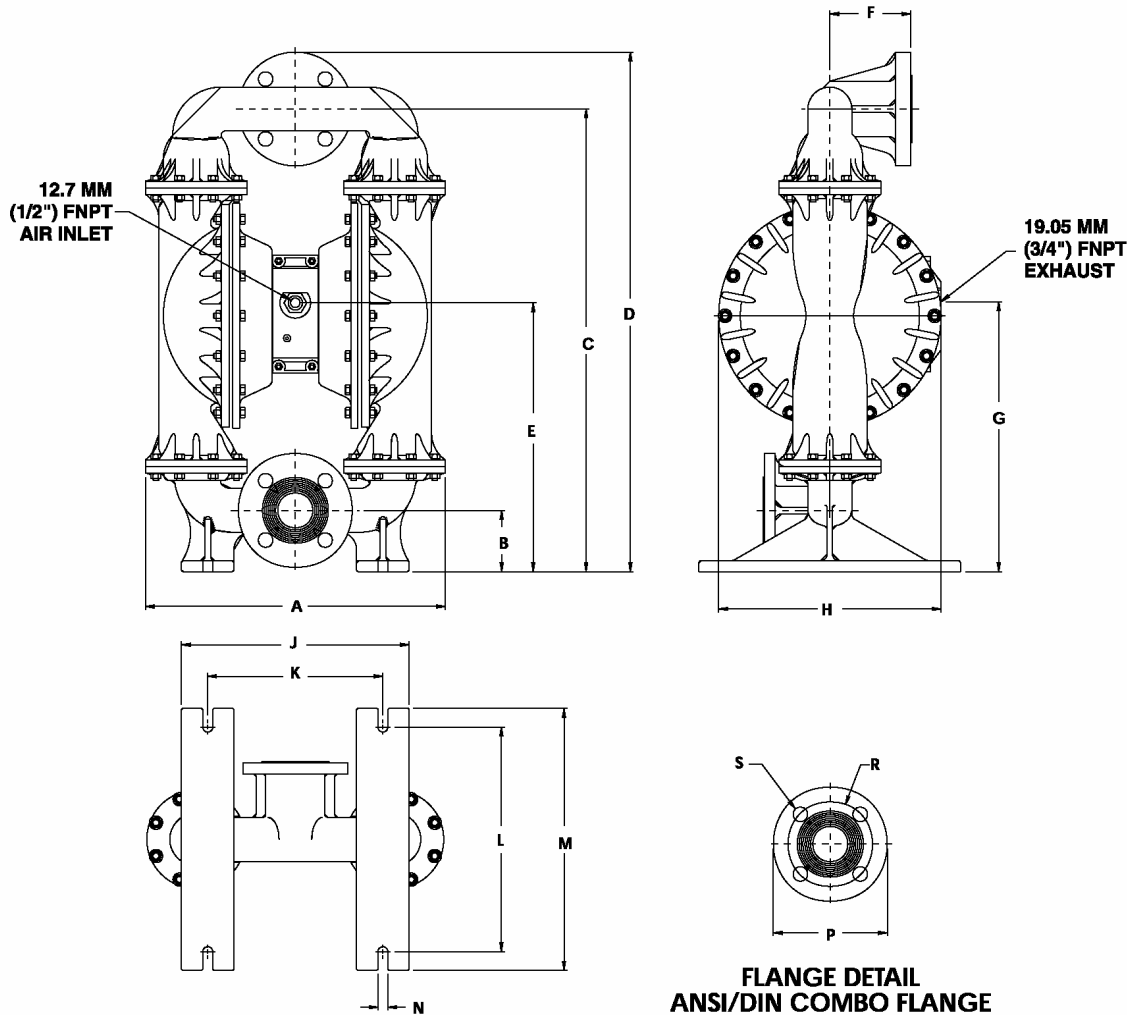
TECHNIQUES DES FLUIDES

10 Rue Jean Poulmarch, bat. 3
 Z.I. Du Val d'Argent
 95100 Argenteuil
 Tel. : 01.34.11.13.73 / Fax : 01.34.11.96.35

E-mail : tdf@techniquesfluides.fr
 Site web : www.techniquesfluides.fr



P800 BOLTED SERIES DIMENSIONAL DRAWING



DIMENSIONS – P800 BOLTED				
	316 STAINLESS STEEL & HASTELLOY		ALUMINUM	
ITEM	METRIC (mm)	STANDARD (inch)	METRIC (mm)	STANDARD (inch)
A	434.9	17.12	439.7	17.31
B	88.9	3.50	88.9	3.50
C	N/A	N/A	676.3	26.62
D	754.1	29.68	758.8	29.87
E	387.4	15.25	395.3	15.56
F	117.5	4.62	117.5	4.62
G	392.1	15.43	396.9	15.62
H	N/A	N/A	323.9	12.75
J	330.2	13	330.2	13
K	254.0	10	254.0	10
L	325.4	12.81	325.4	12.81
M	379.4	14.93	379.4	14.93
N	14.3	.56	14.3	.56
	DIN (mm)	ANSI (inch)	DIN (mm)	ANSI (inch)
	DN 50	150#	DN 50	150#
P	165.1 DIA.	6.50 DIA.	165.1 DIA.	6.50 DIA.
R	125.0 DIA.	4.87 DIA.	122.2 DIA.	4.81 DIA.
S	18.0 DIA.	.87 DIA.	20.6 DIA.	.81 DIA.

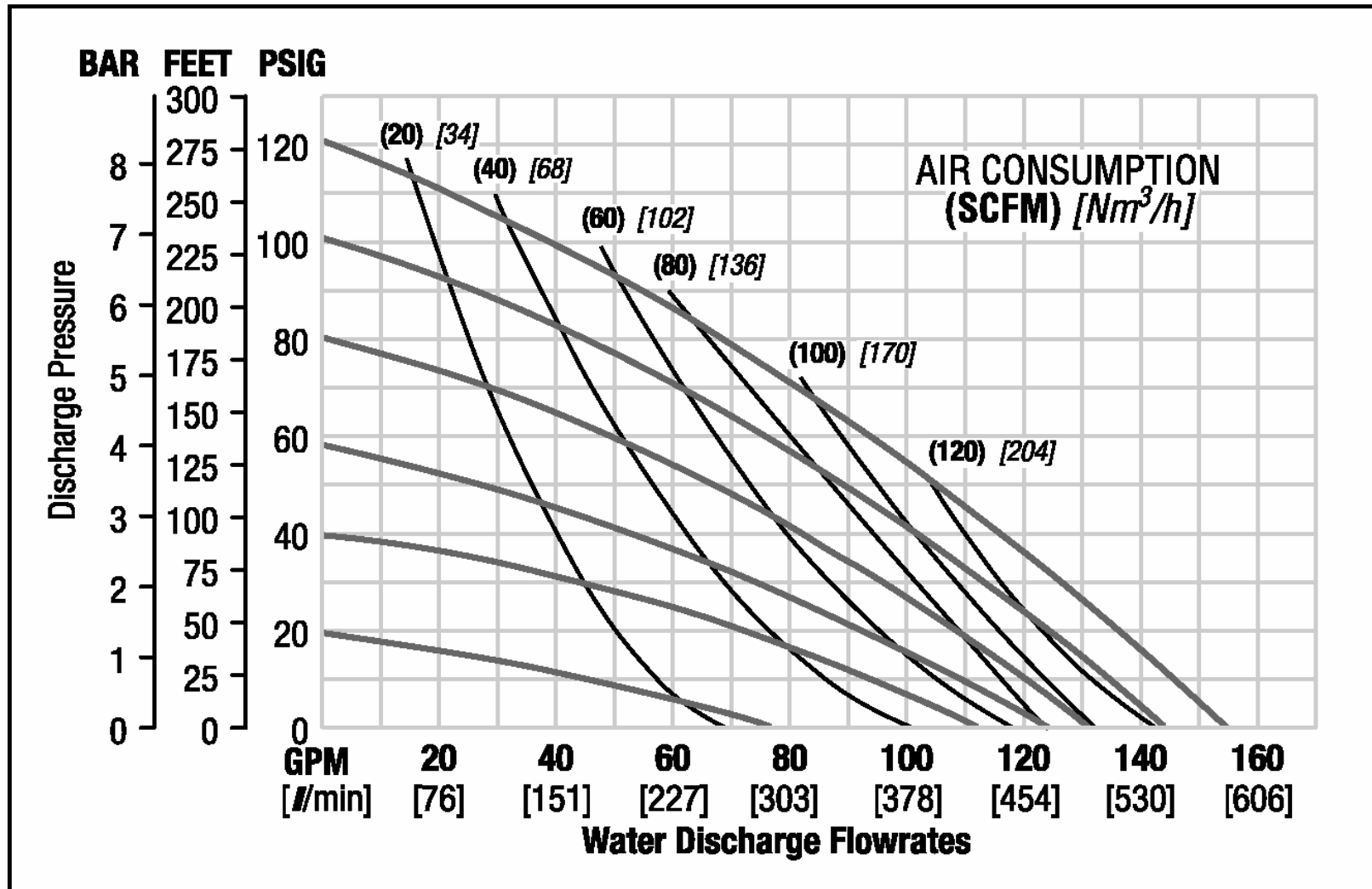
TECHNIQUES DES FLUIDES

10 Rue Jean Poulmarch, bat. 3
Z.I. Du Val d'Argent
95100 Argenteuil
Tel. : 01.34.11.13.73 / Fax : 01.34.11.96.35

E-mail : tdf@techniquesfluides.fr
Site web : www.techniquesfluides.fr



RUBBER/TPE-FITTED P800 PUMP



TECHNIQUES DES FLUIDES

10 Rue Jean Poulmarch, bat. 3
Z.I. Du Val d'Argent
95100 Argenteuil
Tel. : 01.34.11.13.73 / Fax : 01.34.11.96.35

E-mail : tdf@techniquesfluides.fr
Site web : www.techniquesfluides.fr



TEFLON®-FITTED P800 PUMP

