

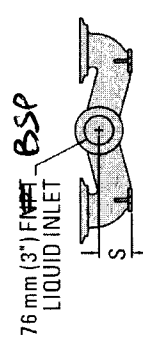
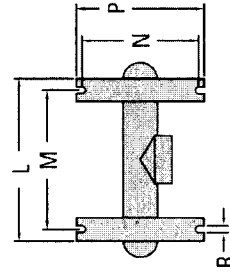
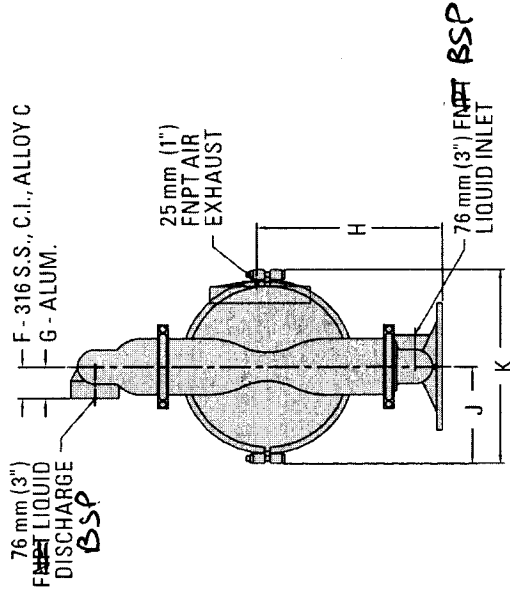
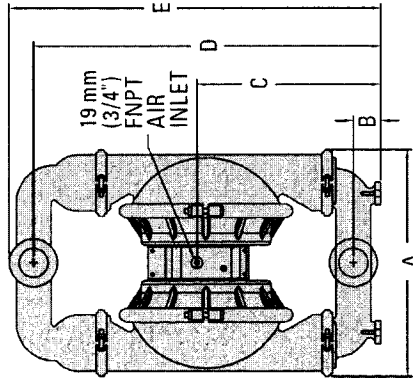
TECHNIQUES DES FLUIDES

10 Rue Jean Poulmarch, bat. 3
 Z.I. Du Val d'Argent
 95100 Argenteuil
 Tel. : 01.34.11.13.73 / Fax : 01.34.11.96.35

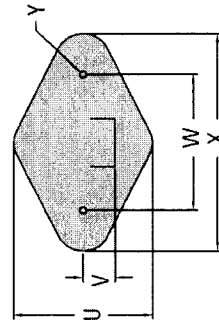
E-mail : tdf@techniquesfluides.fr
 Site web : www.techniquesfluides.fr



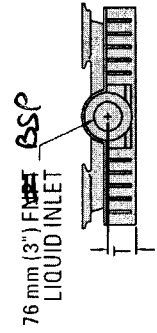
PV15 Metal



FOOTED BASE FOR STAINLESS
 STEEL & ALLOY C MODELS



ALUMINIUM BASE SCREEN



DIMENSIONS

ITEM	METRIC (mm)	STANDARD (inch)
A	505	19.9
B	58	2.3
C	386	15.2
D	762	30.0
E	823	32.4
F	71	2.8
G	84	3.3
H	389	15.3
J	216	8.5
K	406	16.0
L	363	14.3
M	307	12.1
N	257	10.1
P	282	11.1
R	15	0.6
S	71	2.8
T	66	2.6
U	305	12.0
V	43	1.7
W	305	12.0
X	478	18.8
Y	15 DIA.	.6 DIA.

TECHNIQUES DES FLUIDES

10 Rue Jean Poulmarch, bat. 3
 Z.I. Du Val d'Argent
 95100 Argenteuil
 Tel. : 01.34.11.13.73 / Fax : 01.34.11.96.35

E-mail : tdf@techniquesfluides.fr
 Site web : www.techniquesfluides.fr



PV15 METAL RUBBER-FITTED

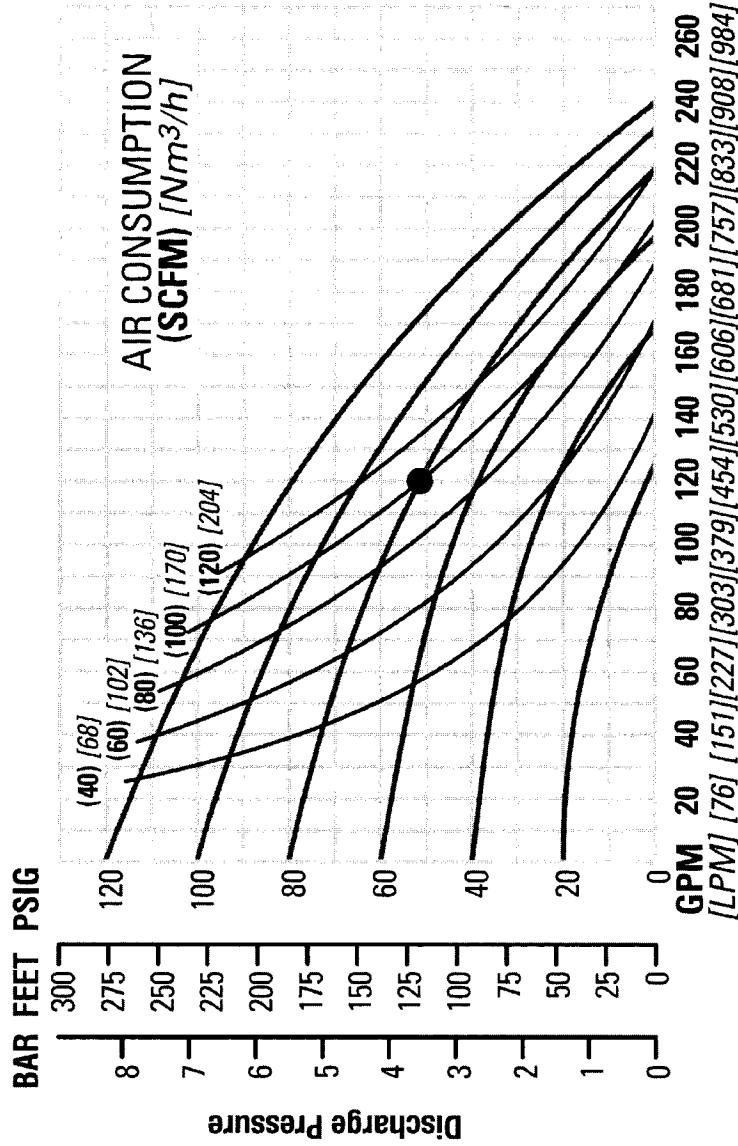
Height.....	823 mm (32.4")
Width.....	505 mm (19.9")
Depth.....	406 mm (16.0")
Ship Weight....	Aluminum 55 kg (121 lbs.)
	316 Stainless Steel 85 kg (187 lbs.)
	Cast Iron 93 kg (205 lbs.)
	Alloy C 107 kg (235 lbs.)
Air Inlet.....	19 mm (3/4")
Inlet.....	76 mm (3")
Outlet.....	76 mm (3")
Suction Lift	6.6 m Dry (21.6')
	9.3 m Wet (30.6')
Displacement/Stroke.....	5.53 L (1.46 gal.) ¹
Max. Flow Rate.....	909 lpm (240 gpm)
Max. Size Solids.....	9.5 mm (3/8")

¹Displacement per stroke was calculated at 4.8 bar (70 psig) air inlet pressure against a 2.1 bar (30 psig) head pressure.

Example: To pump 454 lpm (120 gpm) against a discharge head of 3.6 bar (52 psig) requires 5.5 bar (80 psig) and 170 Nm³/h (100 scfm) air consumption.

Caution: Do not exceed 8.6 bar (125 psig) air supply pressure.

PROFLOV™



Water Discharge Flow Rates

Flow rates indicated on chart were determined by pumping water.

For optimum life and performance, pumps should be specified so that daily operation parameters will fall in the center of the pump performance curve.

TECHNIQUES DES FLUIDES

10 Rue Jean Poulmarch, bat. 3
 Z.I. Du Val d'Argent
 95100 Argenteuil
 Tel. : 01.34.11.13.73 / Fax : 01.34.11.96.35

E-mail : taf@techniquesfluides.fr
 Site web : www.techniquesfluides.fr



PV15 METAL TPE-FITTED

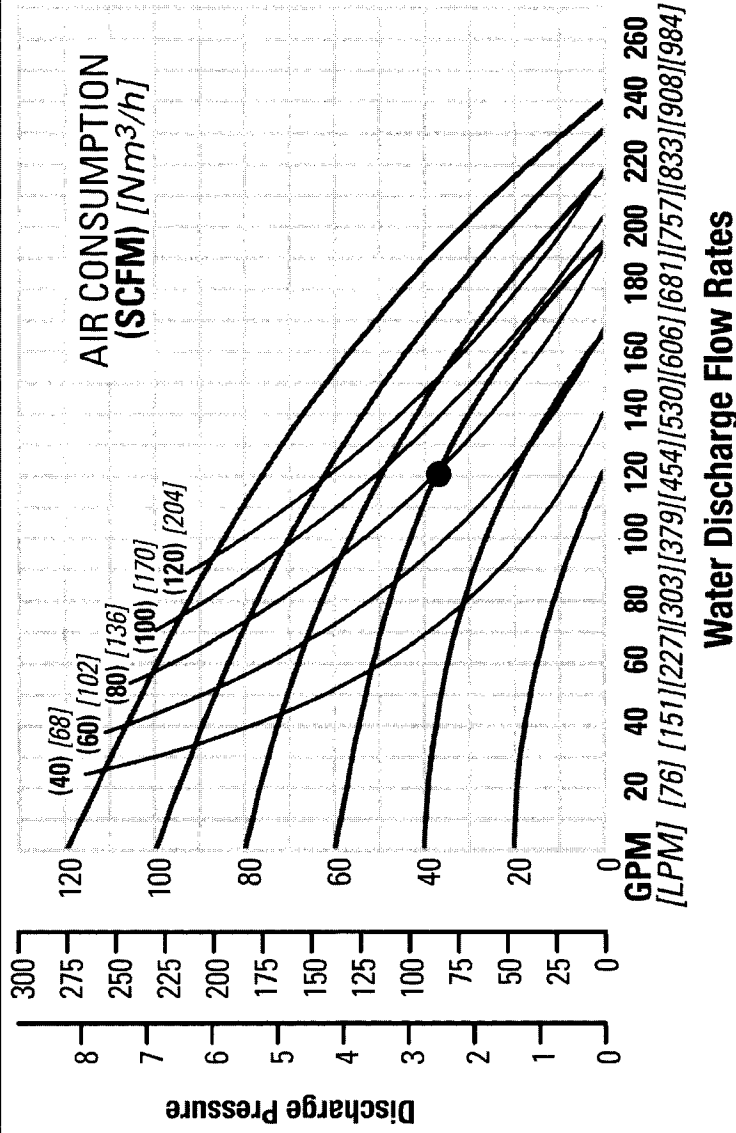
Height.....	823 mm (32.4")
Width.....	505 mm (19.9")
Depth.....	523 mm (20.6")
Ship Weight	Aluminum 55 kg (121 lbs.)
	316 Stainless Steel 85 kg (187 lbs.)
	Cast Iron 93 kg (205 lbs.)
	Alloy C 107 kg (235 lbs.)
Air Inlet.....	19 mm (3/4")
Inlet.....	76 mm (3")
Outlet.....	76 mm (3")
Suction Lift.....	7.6 m Dry (25.0') 9.5 m Wet (31.2')
Displacement/Stroke.....	5.72 L (1.51 gal.) ¹
Max. Flow Rate.....	906 lpm (239 gpm)
Max. Size Solids.....	9.5 mm (3/8")

¹Displacement per stroke was calculated at 4.8 bar (70 psig) air inlet pressure against a 2.1 bar (30 psig) head pressure.

Example: To pump 254 lpm (120 gpm) against a discharge pressure head of 2.6 bar (38 psig) requires 4.1 bar (60 psig) and 136 Nm³/h (80 scfm) air consumption.

Caution: Do not exceed 8.6 bar (125 psig) air supply pressure.

PROFLOV™



Flow rates indicated on chart were determined by pumping water.

For optimum life and performance, pumps should be specified so that daily operation parameters will fall in the center of the pump performance curve.

TECHNIQUES DES FLUIDES

10 Rue Jean Poulmarch, bat. 3

Z.I. Du Val d'Argent
95100 Argenteuil

Tel. : 01.34.11.13.73 / Fax : 01.34.11.96.35

E-mail : tdf@techniquesfluides.fr
Site web : www.techniquesfluides.fr



PV15 METAL ULTRA-FLEX™-FITTED

Height.....823 mm (32.4")
Width.....505 mm (19.9")
Depth.....406 mm (16.0")
Ship Weight.....Aluminum 55 kg (121 lbs.)
316 Stainless Steel 85 kg (187 lbs.)
Cast Iron 93 kg (205 lbs.)
Alloy C 107 kg (235 lbs.)

Air Inlet.....19 mm (3/4")
Inlet.....76 mm (3")
Outlet.....76 mm (3")
Suction Lift6.1 m Dry (20.0')
9.5 m Wet (31.2')

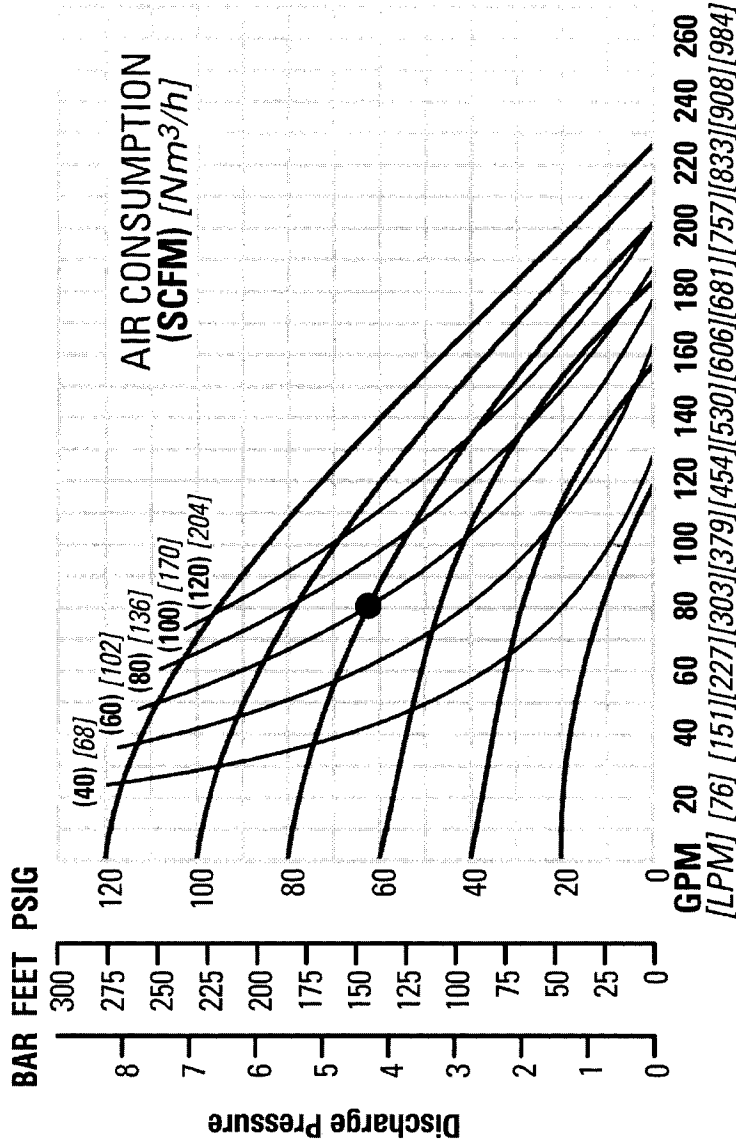
Displacement/Stroke.....4.69 L (1.24 gal.)
Max. Flow Rate.....854 lpm (226 gpm)
Max. Size Solids.....9.5 mm (3/8")

¹Displacement per stroke was calculated at 4.8 bar (70 psig) air inlet pressure against a 2.1 bar (30 psig) head pressure.

Example: To pump 303 lpm (80 gpm) against a discharge pressure head of 4.3 bar (62 psig) requires 5.5 bar (80 psig) and 136 Nm³/h (80 scfm) air consumption.

Caution: Do not exceed 8.6 bar (125 psig) air supply pressure.

PROFLO V™



Flow rates indicated on chart were determined by pumping water.

For optimum life and performance, pumps should be specified so that daily operation parameters will fall in the center of the pump performance curve.

TECHNIQUES DES FLUIDES

10 Rue Jean Poulmarch, bat. 3
 Z.I. Du Val d'Argent
 95100 Argenteuil
 Tel. : 01.34.11.13.73 / Fax : 01.34.11.96.35

E-mail : tdf@techniquesfluides.fr
 Site web : www.techniquesfluides.fr



PV15 Metal Saniflo FDA

DIMENSIONS

ITEM	METRIC (mm)	STANDARD (inch)
A	521	20.5
B	71	2.8
C	396	15.6
D	767	30.2
E	810	31.9
F	89	3.5
G	216	8.5
H	406	16.0
J	424	16.7
K	356	14.0
L	305	12.0
M	257	10.1
N	279	11.0
P	15	0.6

