

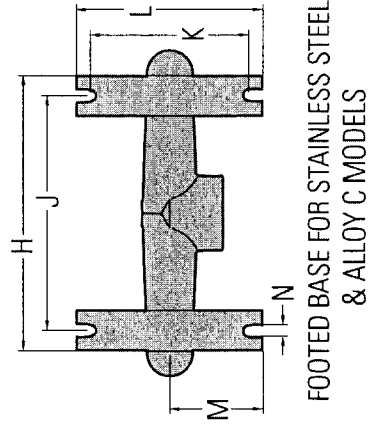
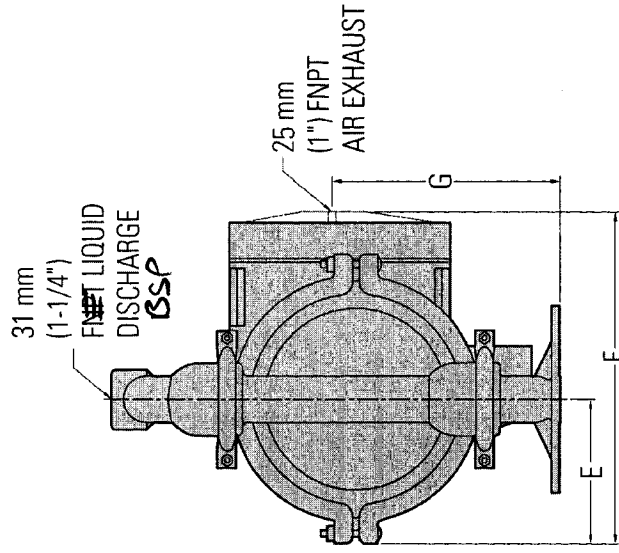
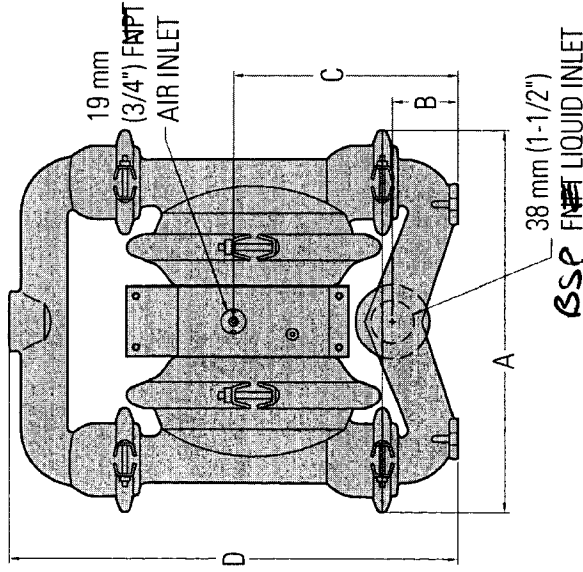
TECHNIQUES DES FLUIDES

10 Rue Jean Poulmarch, bat. 3
Z.I. Du Val d'Argent
95100 Argenteuil
Tel. : 01.34.11.13.73 / Fax : 01.34.11.96.35

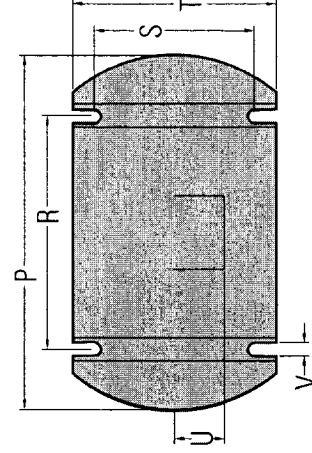
E-mail : tdf@techniquesfluides.fr
Site web : www.techniquesfluides.fr



PV4 Metal



FOOTED BASE FOR STAINLESS STEEL
& ALLOY C MODELS



BASE FOR ALUMINUM
& CAST IRON MODELS

DIMENSIONS

ITEM	METRIC (mm)	STANDARD (inch)
A	368	14.5
B	64	2.5
C	213	8.4
D	429	16.9
E	147	5.8
F	315	12.4
G	216	8.5
H	262	10.3
J	208	8.2
K	152	6.0
L	178	7.0
M	51	2.0
N	10	0.4
P	335	13.2
R	224	8.8
S	155	6.1
T	193	7.6
U	48	1.9
V	13	0.5

TECHNIQUES DES FLUIDES

10 Rue Jean Poulmarch, bat. 3
Z.I. Du Val d'Argent
95100 Argenteuil
Tel. : 01.34.11.13.73 / Fax : 01.34.11.96.35

E-mail : tdf@techniquesfluides.fr
Site web : www.techniquesfluides.fr



PV4 METAL TEFLON®-FITTED

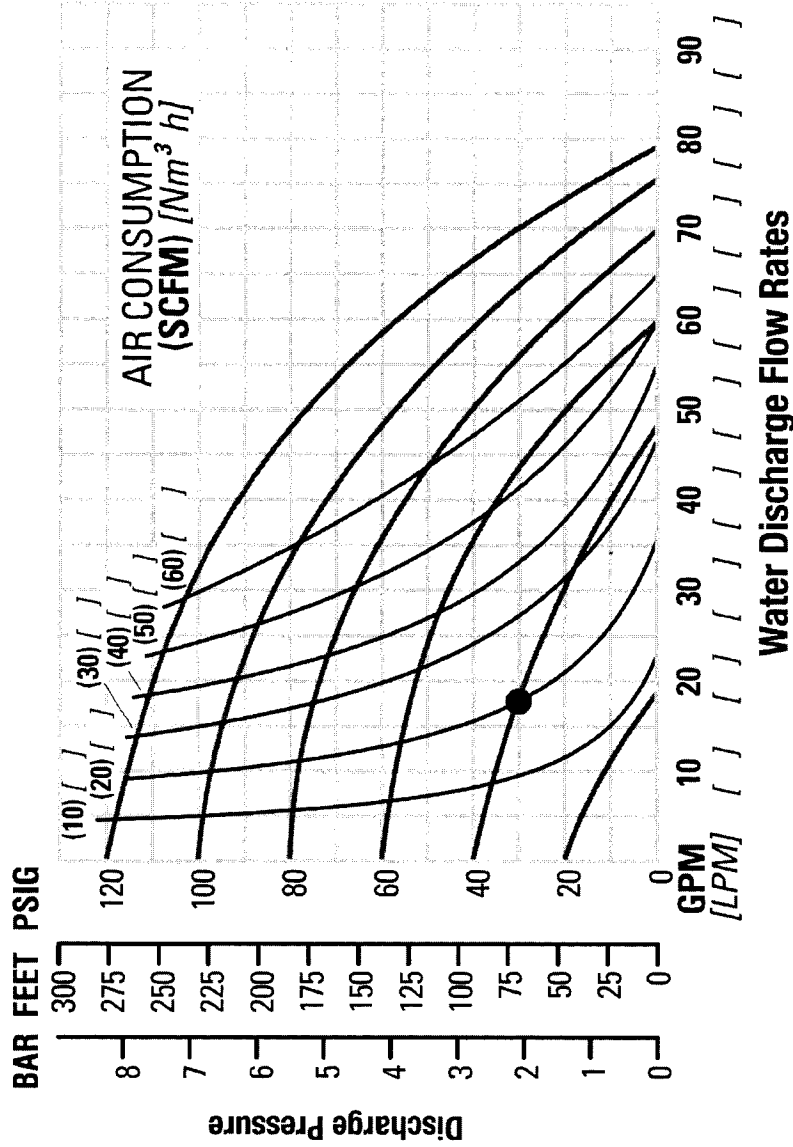
Height.....	429 mm (16.9")
Width.....	368 mm (14.5")
Depth.....	315 mm (12.4")
Est. Ship Weight..	Aluminum 21 kg (46 lbs.)
	316 Stainless Steel 28 kg (62 lbs.)
	Cast Iron 30 kg (66 lbs.)
	Alloy C 31 kg (68 lbs.)
Air Inlet.....	19 mm (3/4")
Inlet.....	38 mm (1-1/2")
Outlet.....	32 mm (1-1/4")
Suction Lift.....	4.7 m Dry (15.3')
	9.5 m Wet (31.2')
Displacement/Stroke.....	0.61 L (0.16 gal.) ¹
Max. Flow Rate.....	229 lpm (79 gpm)
Max. Size Solids.....	4.8 mm (3/16")

¹Displacement per stroke was calculated at 4.8 bar (70 psig) air inlet pressure against a 2.1 bar (30 psig) head pressure.

Example: To pump 64 lpm (17 gpm) against a discharge pressure head of 2.1 bar (30 psig) requires 2.8 bar (40 psig) and 34 Nm³/h (20 scfm) air consumption.

Caution: Do not exceed 8.6 bar (125 psig) air supply pressure.

PROFLO V™



Flow rates indicated on chart were determined by pumping water.

For optimum life and performance, pumps should be specified so that daily operation parameters will fall in the center of the pump performance curve.

TECHNIQUES DES FLUIDES

10 Rue Jean Poulmarch, bat. 3
 Z.I. Du Val d'Argent
 95100 Argenteuil
 Tel. : 01.34.11.13.73 / Fax : 01.34.11.96.35

E-mail : tdf@techniquesfluides.fr
 Site web : www.techniquesfluides.fr



PV4 METAL ULTRA-FLEX™-FITTED

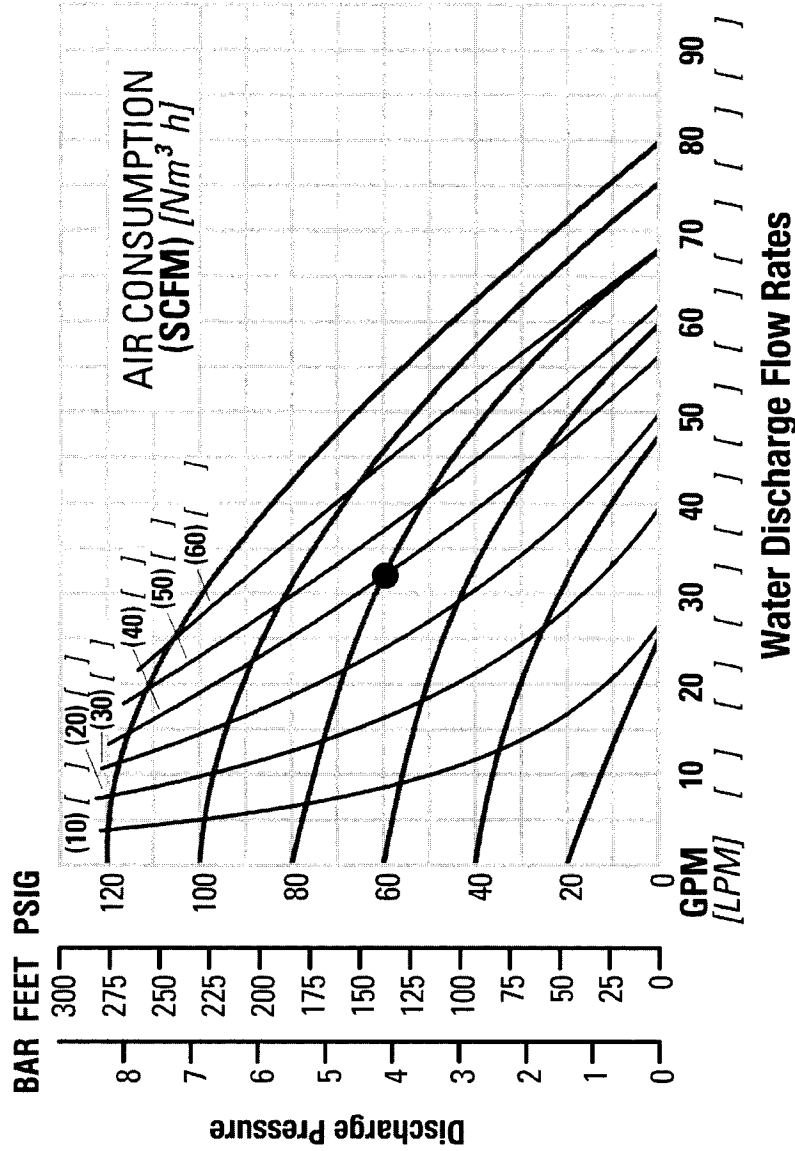
Height.....429 mm (16.9")
 Width.....368 mm (14.5")
 Depth.....315 mm (12.4")
 Est. Ship Weight..Aluminum 21 kg (46 lbs.)
 316 Stainless Steel 28 kg (62 lbs.)
 Cast Iron 30 kg (66 lbs.)
 Alloy C 31 kg (68 lbs.)
 Air Inlet.....19 mm (3/4")
 Inlet.....38 mm (1-1/2")
 Outlet.....32 mm (1-1/4")
 Suction Lift 6.2 m Dry (20.4')
 9.5 m Wet (31.2')
 Displacement/Stroke.....0.76 L (0.20 gal.)¹
 Max. Flow Rate.....303 lpm (80 gpm)
 Max. Size Solids.....4.8 mm (3/16")

¹Displacement per stroke was calculated at 4.8 bar (70 psig) air inlet pressure against a 2.1 bar (30 psig) head pressure.

Example: To pump 121 lpm (32 gpm) against a discharge pressure head of 4.1 bar (60 psig) requires 5.5 bar (80 psig) and 68 Nm³/h (40 scfm) air consumption.

Caution: Do not exceed 8.6 bar (125 psig) air supply pressure.

PROFLOV™



Flow rates indicated on chart were determined by pumping water.

For optimum life and performance, pumps should be specified so that daily operation parameters will fall in the center of the pump performance curve.

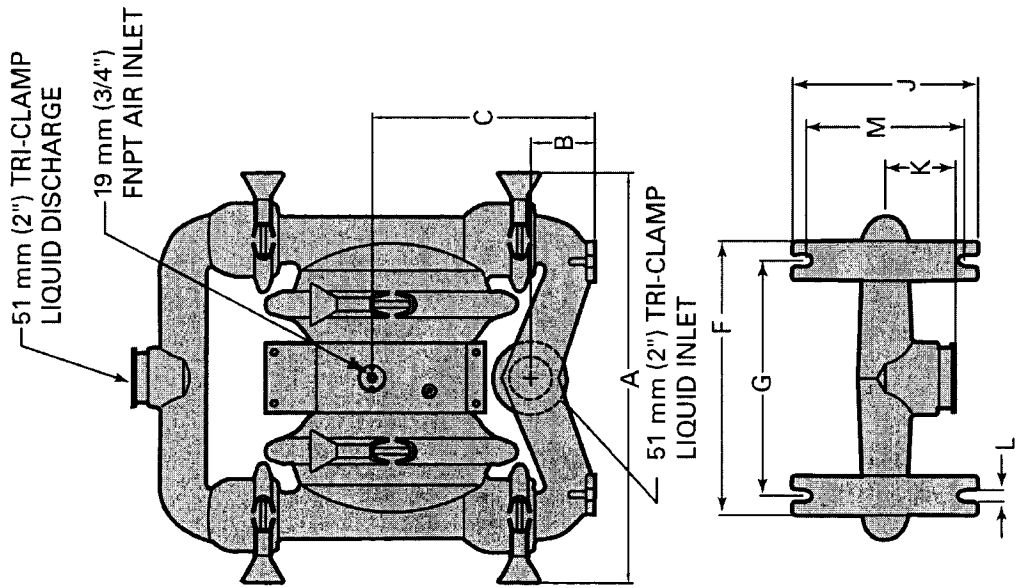
TECHNIQUES DES FLUIDES

10 Rue Jean Poulmarch, bat. 3
Z.I. Du Val d'Argent
95100 Argenteuil
Tel. : 01.34.11.13.73 / Fax : 01.34.11.96.35

E-mail : tdf@techniquesfluides.fr
Site web : www.techniquesfluides.fr



PV4 Metal Saniflo FDA



DIMENSIONS

ITEM	METRIC (mm)	STANDARD (inch)
A	391	15.4
B	64	2.5
C	213	8.4
D	442	17.4
E	315	12.4
F	262	10.3
G	208	8.2
H	216	8.5
J	178	7.0
K	69	2.7
L	10	0.4
M	152	6.0

