

TECHNIQUES DES FLUIDES

10 Rue Jean Poulmarch, bat. 3

Z.I. Du Val d'Argent

95100 Argenteuil

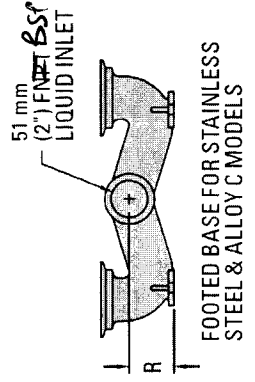
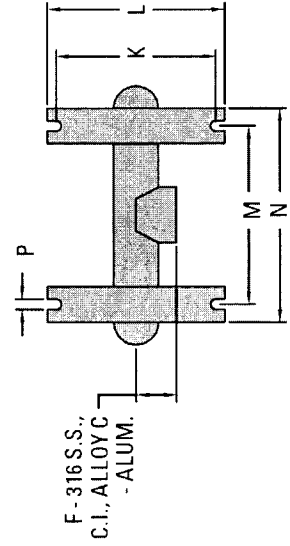
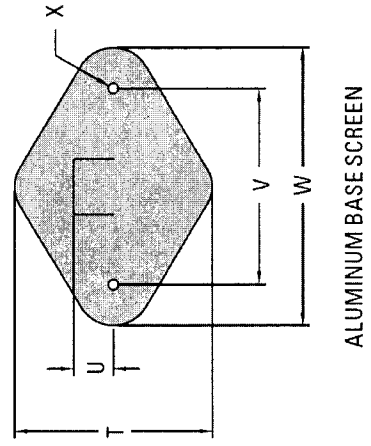
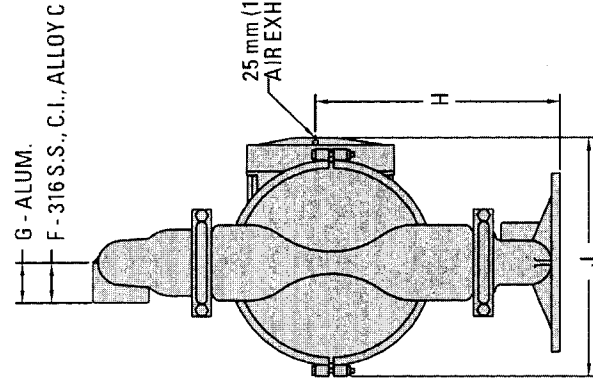
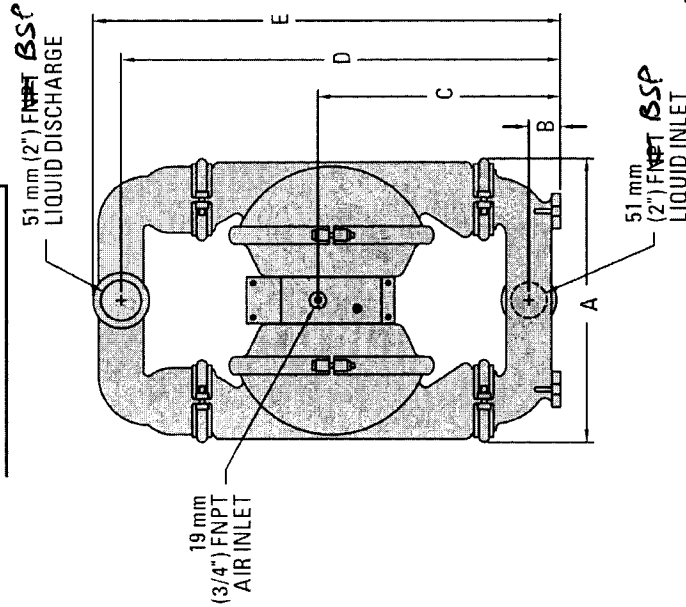
Tel. : 01.34.11.13.73 / Fax : 01.34.11.96.35

E-mail : tdf@techniquesfluides.fr

Site web : www.techniquesfluides.fr

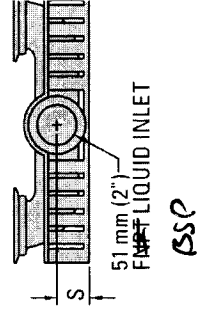


PV8 Metal



DIMENSIONS

ITEM	METRIC (mm)	STANDARD (inch)
A	404	15.9
B	48	1.9
C	345	13.6
D	630	24.8
E	668	26.3
F	58	2.3
G	61	2.4
H	351	13.8
J	340	13.4
K	229	9.0
L	254	10.0
M	257	10.1
N	312	12.3
P	15	0.6
R	64	2.5
S	51	2.0
T	282	11.1
U	71	2.8
V	279	11.0
W	386	15.2
X	15 DIA.	.6 DIA.



TECHNIQUES DES FLUIDES

10 Rue Jean Poulmarch, bat. 3
 Z.I. Du Val d'Argent
 95100 Argenteuil
 Tel. : 01.34.11.13.73 / Fax : 01.34.11.96.35

E-mail : tdf@techniquesfluides.fr
 Site web : www.techniquesfluides.fr



PV8 METAL RUBBER-FITTED

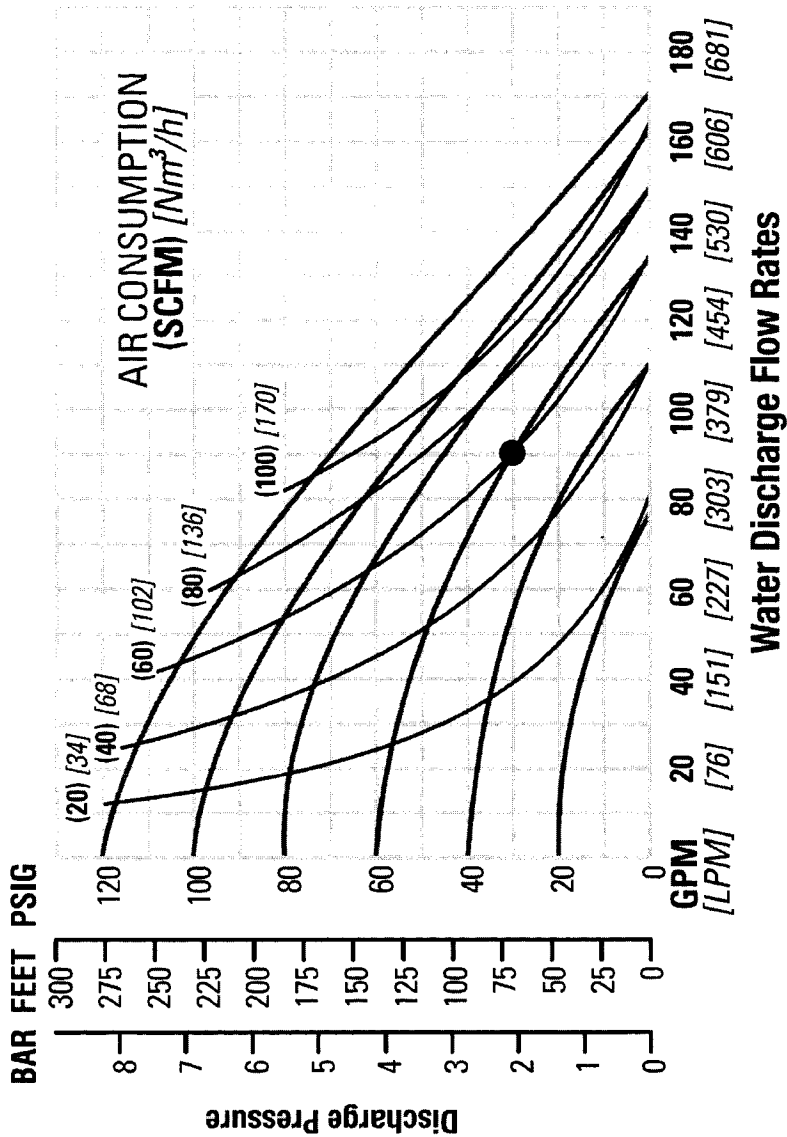
Height 668 mm (26.3")
 Width 404 mm (15.9")
 Depth 340 mm (13.4")
 Ship Weight Aluminum 35 kg (78 lbs.)
 316 Stainless Steel 53 kg (117 lbs.)
 Cast Iron 49 kg (109 lbs.)
 Alloy C 54 kg (119 lbs.)
 Air Inlet 19 mm (3/4")
 Inlet 51 mm (2")
 Outlet 51 mm (2")
 Suction Lift 7.3 m Dry (23.8')
 9.5 m Wet (31.2')
 Displacement/Stroke 3.7 L (0.81 gal.)¹
 Max. Flow Rate 646 lpm (171 gpm)
 Max. Size Solids 6.4 mm (1/4")

¹Displacement per stroke was calculated at 4.8 bar (70 psig) air inlet pressure against a 2.1 bar (30 psig) head pressure.

Example: To pump 341 lpm (90 gpm) against a discharge pressure head of 2.1 bar (30 psig) requires 4.1 bar (60 psig) and 102 Nm³/h (60 scfm) air consumption.

Caution: Do not exceed 8.6 bar (125 psig) air supply pressure.

PROFLO V[™]



Flow rates indicated on chart were determined by pumping water.

For optimum life and performance, pumps should be specified so that daily operation parameters will fall in the center of the pump performance curve.

TECHNIQUES DES FLUIDES

10 Rue Jean Poulmarch, bat. 3
 Z.I. Du Val d'Argent
 95100 Argenteuil
 Tel. : 01.34.11.13.73 / Fax : 01.34.11.96.35

E-mail : tdf@techniquesfluides.fr
 Site web : www.techniquesfluides.fr



PV8 METAL TPE-FITTED

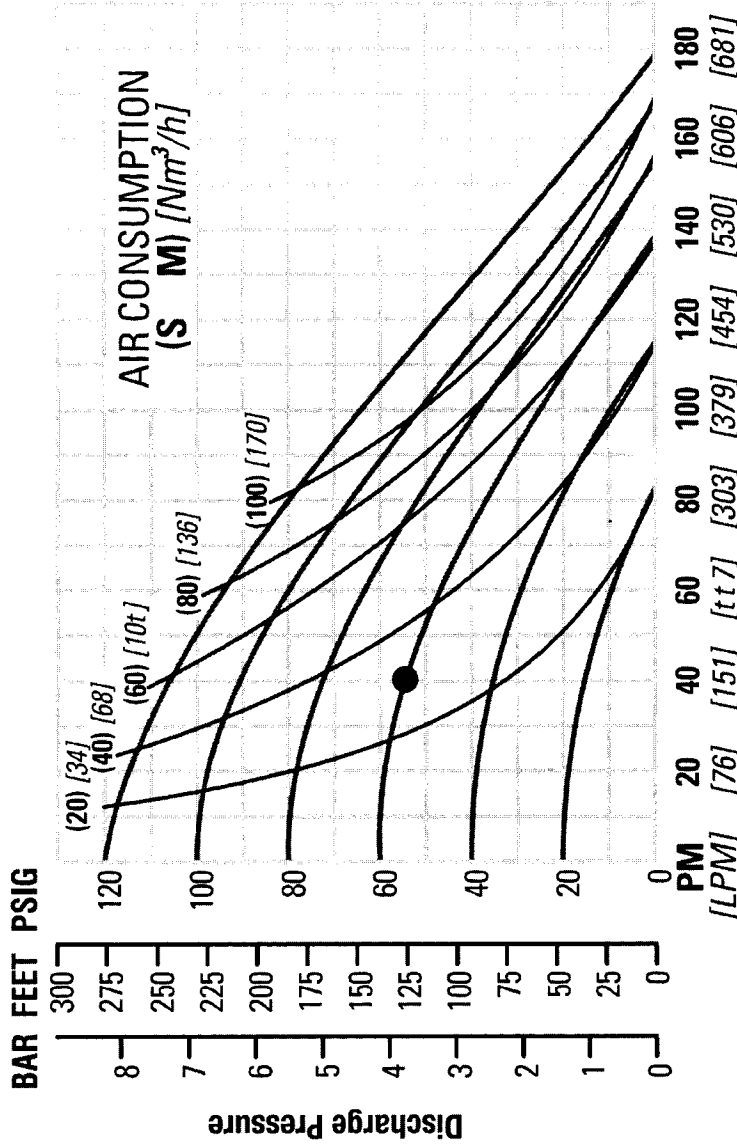
Height 668 mm (26.3")
 Width 404 mm (15.9")
 Depth 340 mm (13.4")
 Ship Weight Aluminum 35 kg (78 lbs.)
 316 Stainless Steel 53 kg (117 lbs.)
 Cast Iron 49 kg (109 lbs.)
 Alloy C 54 kg (119 lbs.)
 Air Inlet 19 mm (3/4")
 Inlet 51 mm (2")
 Outlet 51 mm (2")
 Suction Lift 7.1 m Dry (23.3')
 9.5 m Wet (31.2')
 Displacement/Stroke 3.1 L (0.83 gal.)¹
 Max. Flow Rate 675 lpm (178 gpm)
 Max. Size Solids 6.4 mm (1/4")

¹Displacement per stroke was calculated at 4.8 bar (70 psig) air inlet pressure against a 2.1 bar (30 psig) head pressure.

Example: To pump 151 lpm (40 gpm) against a discharge pressure head of 3.8 bar (55 psig) requires 4.1 bar (60 psig) and 51 Nm³/h (30 scfm) air consumption.

Caution: Do not exceed 8.6 bar (125 psig) air supply pressure.

PROFLOV™



Water Discharge Flow Rates

Flow rates indicated on chart were determined by pumping water.

For optimum life and performance, pumps should be specified so that daily operation parameters will fall in the center of the pump performance curve.

TECHNIQUES DES FLUIDES

10 Rue Jean Poulmarch, bat. 3
Z.I. Du Val d'Argent
95100 Argenteuil
Tel. : 01.34.11.13.73 / Fax : 01.34.11.96.35

E-mail : tdf@techniquesfluides.fr
Site web : www.techniquesfluides.fr



PV8 METAL ULTRA-FLEX™-FITTED

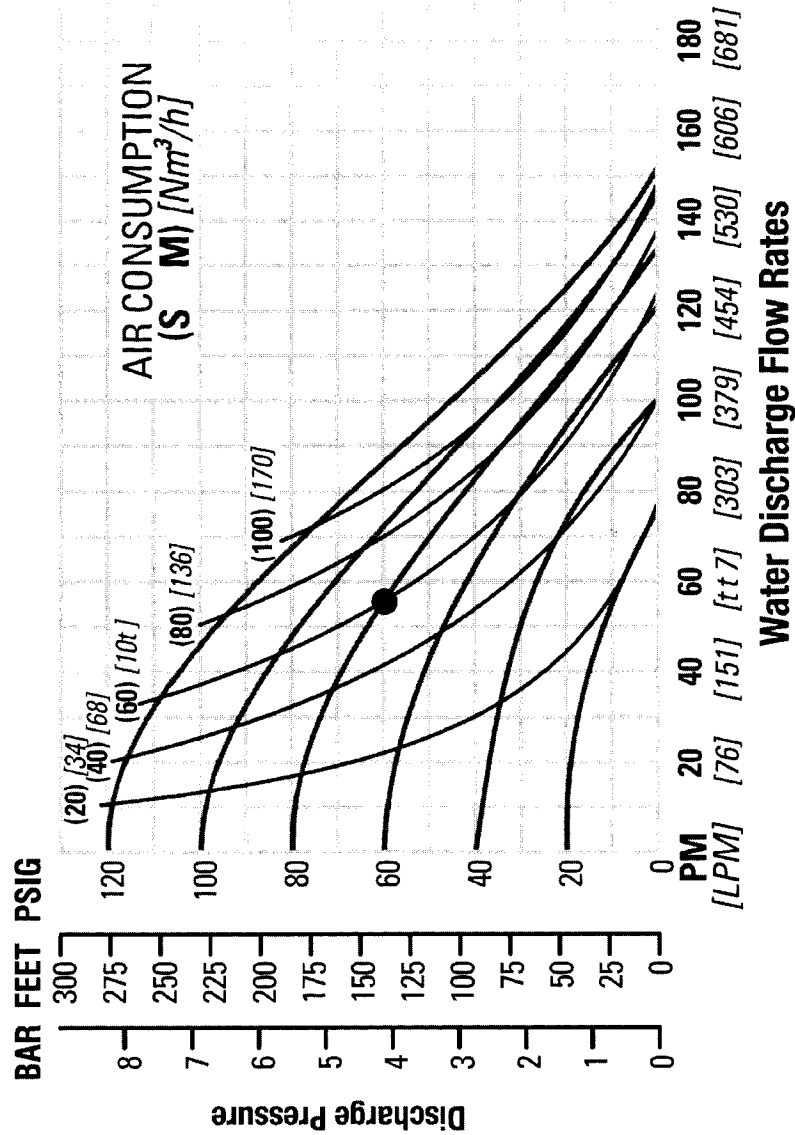
Height.....	668 mm (26.3")
Width.....	404 mm (15.9")
Depth.....	340 mm (13.4")
Ship Weight.....	Aluminum 35 kg (78 lbs.) 316 Stainless Steel 53 kg (117 lbs.) Cast Iron 49 kg (109 lbs.) Alloy C 54 kg (119 lbs.)
Air Inlet.....	19 mm (3/4")
Inlet.....	51 mm (2")
Outlet.....	51 mm (2")
Suction Lift.....	5.5 m Dry (18.2') 9.5 m Wet (31.2')
Displacement/Stroke.....	2.1 L (0.56 gal.) ¹
Max. Flow Rate.....	575 lpm (152 gpm)
Max. Size Solids.....	6.4 mm (1/4")

¹Displacement per stroke was calculated at 4.8 bar (70 psig) air inlet pressure against a 2.1 bar (30 psig) head pressure.

Example: To pump 208 lpm (55 gpm) against a discharge pressure head of 4.1 bar (60 psig) requires 5.5 bar (80 psig) and 102 Nm³/h (60 scfm) air consumption.

Caution: Do not exceed 8.6 bar (125 psig) air supply pressure.

PROFLOV™



Flow rates indicated on chart were determined by pumping water.

For optimum life and performance, pumps should be specified so that daily operation parameters will fall in the center of the pump performance curve.

TECHNIQUES DES FLUIDES

10 Rue Jean Poulmarch, bat. 3
Z.I. Du Val d'Argent
95100 Argenteuil
Tel. : 01.34.11.13.73 / Fax : 01.34.11.96.35

E-mail : tdf@techniquesfluides.fr
Site web : www.techniquesfluides.fr



PV8 METAL TEFLON®-FITTED

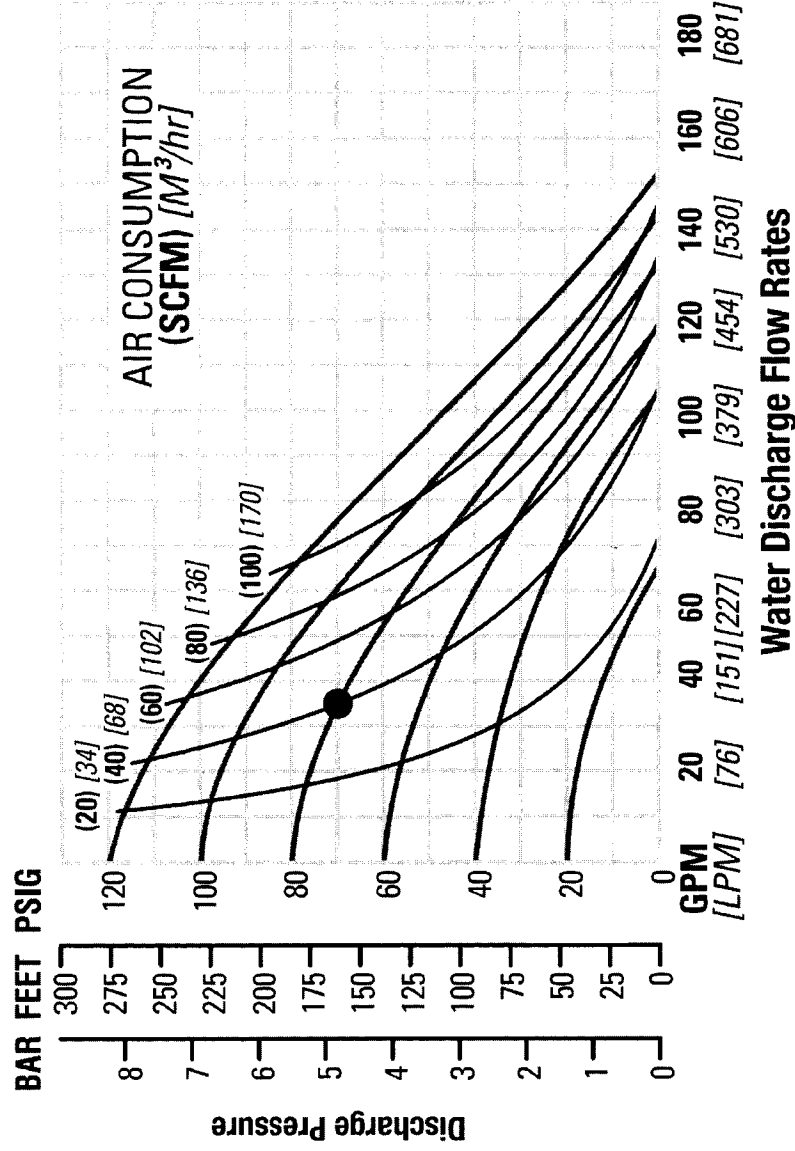
Height	668 mm (26.3")
Width	404 mm (15.9")
Depth	340 mm (13.4")
Ship Weight	Aluminum 35 kg (78 lbs.) 316 Stainless Steel 53 kg (117 lbs.) Cast Iron 49 kg (109 lbs.) Alloy C 54 kg (119 lbs.)
Air Inlet	19 mm (3/4")
Inlet	51 mm (2")
Outlet	51 mm (2")
Suction Lift	5.4 m Dry (17.6') 9.5 m Wet (31.2')
Displacement/Stroke	1.9 L (0.51 gal.) ¹
Max. Flow Rate	575 lpm (152 gpm)
Max. Size Solids	6.4 mm (1/4")

¹Displacement per stroke was calculated at 4.8 bar (70 psig) air inlet pressure against a 2.1 bar (30 psig) head pressure.

Example: To pump 129 lpm (34 gpm) against a discharge pressure head of 4.8 bar (70 psig) requires 5.5 bar (80 psig) and 68 Nm³/h (40 scfm) air consumption.

Caution: Do not exceed 8.6 bar (125 psig) air supply pressure.

PROFLO V™



Flow rates indicated on chart were determined by pumping water.

For optimum life and performance, pumps should be specified so that daily operation parameters will fall in the center of the pump performance curve.

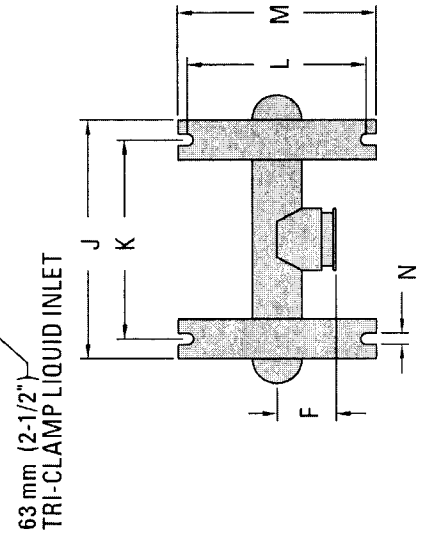
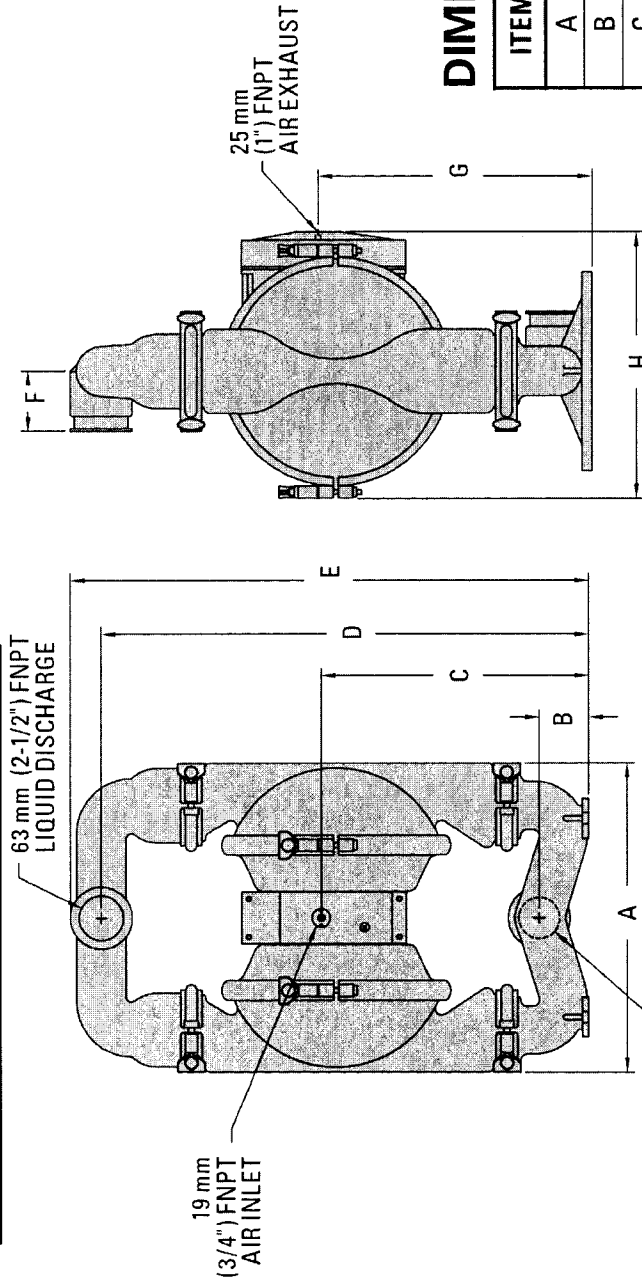
TECHNIQUES DES FLUIDES

10 Rue Jean Poulmarch, bat. 3
Z.I. Du Val d'Argent
95100 Argenteuil
Tel. : 01.34.11.13.73 / Fax : 01.34.11.96.35

E-mail : tdf@techniquesfluides.fr
Site web : www.techniquesfluides.fr



PV8 Metal Saniflo FDA



DIMENSIONS

ITEM	METRIC (mm)	STANDARD (inch)
A	409	16.1
B	54	2.5
C	340	13.4
D	625	24.6
E	665	26.2
F	76	3.0
G	351	13.8
H	340	13.4
J	305	12.0
K	254	10.0
L	229	9.0
M	254	10.0
N	15	0.6