

TECHNIQUES DES FLUIDES

10 Rue Jean Poulmarch, bat. 3

Z.I. Du Val d'Argent

95100 Argenteuil

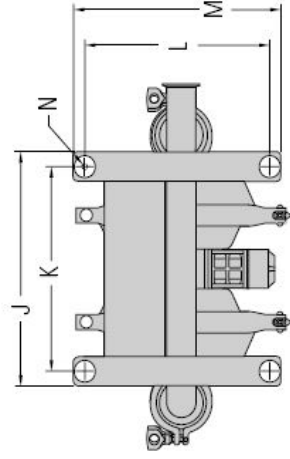
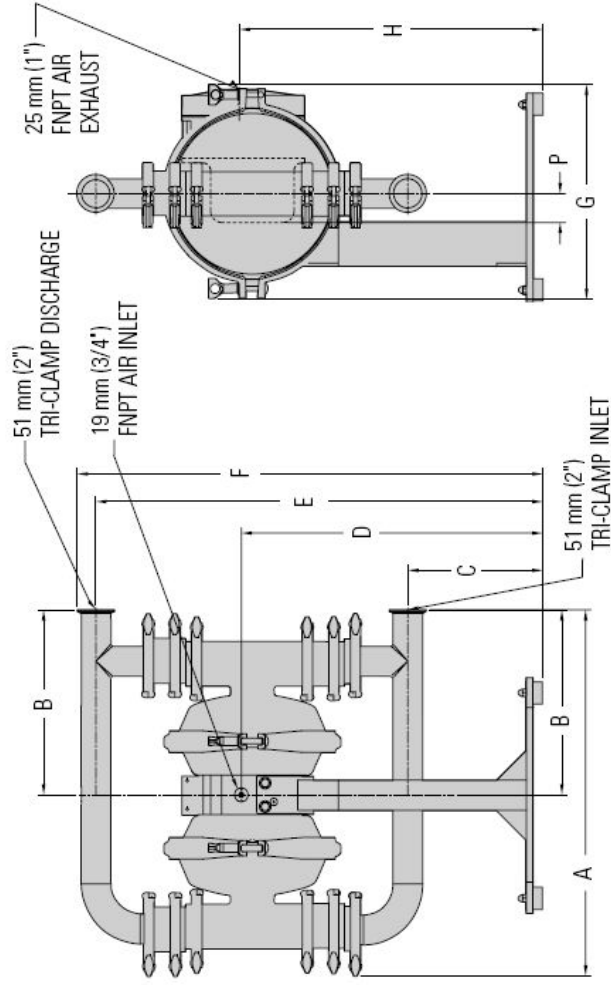
Tel. : 01.34.11.13.73 / Fax : 01.34.11.96.35

E-mail : tdf@techniquesfluides.fr

Site web : www.techniquesfluides.fr



PV8 Saniflo™ LSH



DIMENSIONS

PV8 Saniflo™ LSH Vertically Mounted - Side Ported With Ball/Mushroom Valve (Shown)		
ITEM	METRIC (mm)	STANDARD (inch)
A	625	24.6
B	318	12.5
C	231	9.1
D	518	20.4
E	767	30.2
F	800	31.5
G	368	14.5
H	520	20.5
J	401	15.8
K	351	13.8
L	318	12.5
M	356	14.0
N	∅10	∅0.4
P	48	1.9

PV8 Saniflo™ LSH Vertically Mounted - Side Ported With Flap Valve		
ITEM	METRIC (mm)	STANDARD (inch)
A	625	24.6
B	318	12.5
C	201	7.9
D	518	20.4
E	800	31.5
F	831	32.7
G	368	14.5
H	520	20.5
J	401	15.8
K	351	13.8
L	318	12.5
M	356	14.0
N	∅10	∅0.4
P	48	1.9

TECHNIQUES DES FLUIDES

10 Rue Jean Poulmarch, bat. 3

Z.I. Du Val d'Argent

95100 Argenteuil

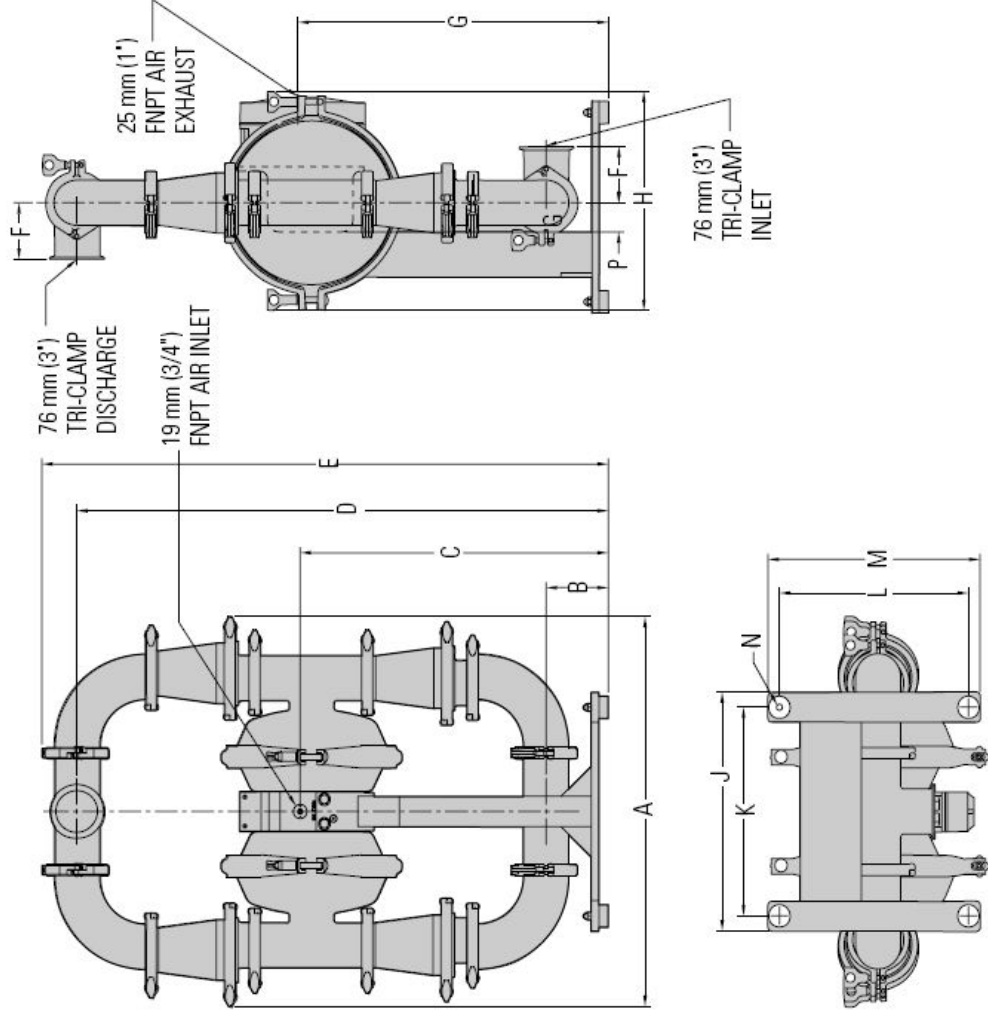
Tel. : 01.34.11.13.73 / Fax : 01.34.11.96.35

E-mail : tdf@techniquesfluides.fr

Site web : www.techniquesfluides.fr



PV15 Saniflo™ LSH



DIMENSIONS

PV15 Saniflo™ LSH Vertically Mounted - Center Ported With Ball/Mushroom Valve		
ITEM	METRIC (mm)	STANDARD (inch)
A	610	24.0
B	198	7.8
C	518	20.4
D	803	31.6
E	861	33.9
F	97	3.8
G	520	20.5
H	368	14.5
J	401	15.8
K	351	13.8
L	318	12.5
M	356	14.0
N	∅10	∅0.4
P	48	1.9

PV15 Saniflo™ LSH Vertically Mounted - Center Ported With Flap Valve (Shown)		
ITEM	METRIC (mm)	STANDARD (inch)
A	640	25.2
B	102	4.0
C	518	20.4
D	894	35.2
E	940	37.0
F	97	3.8
G	520	20.5
H	368	14.5
J	401	15.8
K	351	13.8
L	318	12.5
M	356	14.0
N	∅10	∅0.4
P	48	1.9

TECHNIQUES DES FLUIDES

10 Rue Jean Poulmarch, bat. 3

Z.I. Du Val d'Argent

95100 Argenteuil

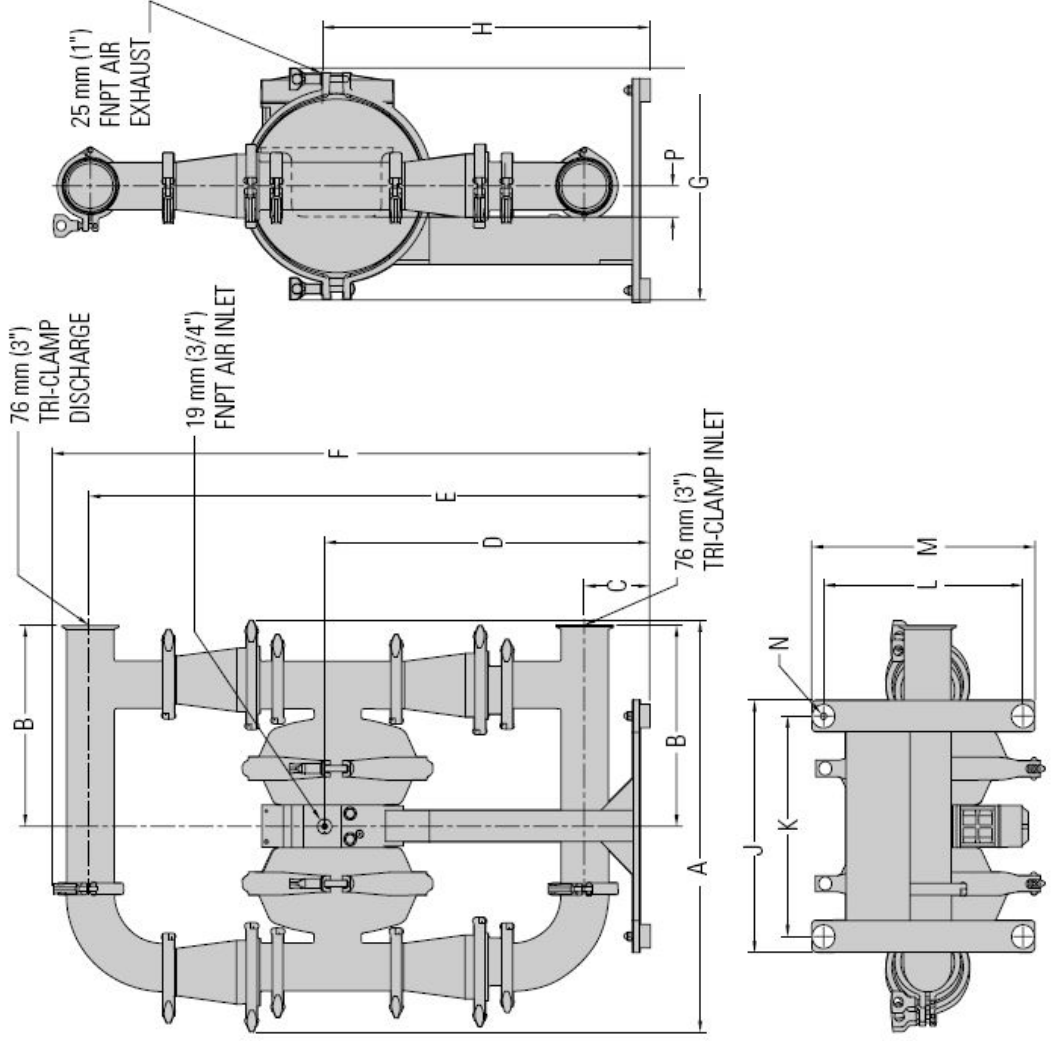
Tel. : 01.34.11.13.73 / Fax : 01.34.11.96.35

E-mail : tdf@techniquesfluides.fr

Site web : www.techniquesfluides.fr



PV15 Saniflo™ LSH



DIMENSIONS

PV15 Saniflo™ LSH Vertically Mounted - Side Ported With Ball/mushroom Valve		
ITEM	METRIC (mm)	STANDARD (inch)
A	638	25.1
B	325	12.8
C	196	7.7
D	518	20.4
E	805	31.7
F	864	34.0
G	368	14.5
H	520	20.5
J	401	15.8
K	351	13.8
L	318	12.5
M	356	14.0
N	∅10	∅0.4
P	48	1.9

PV15 Saniflo™ LSH Vertically Mounted - Side Ported With Flap Valve (Shown)		
ITEM	METRIC (mm)	STANDARD (inch)
A	640	25.2
B	325	12.8
C	102	4.0
D	518	20.4
E	892	35.1
F	953	37.5
G	368	14.5
H	520	20.5
J	401	15.8
K	351	13.8
L	318	12.5
M	356	14.0
N	∅10	∅0.4
P	48	1.9

TECHNIQUES DES FLUIDES

10 Rue Jean Poulmarch, bat. 3

Z.I. Du Val d'Argent

95100 Argenteuil

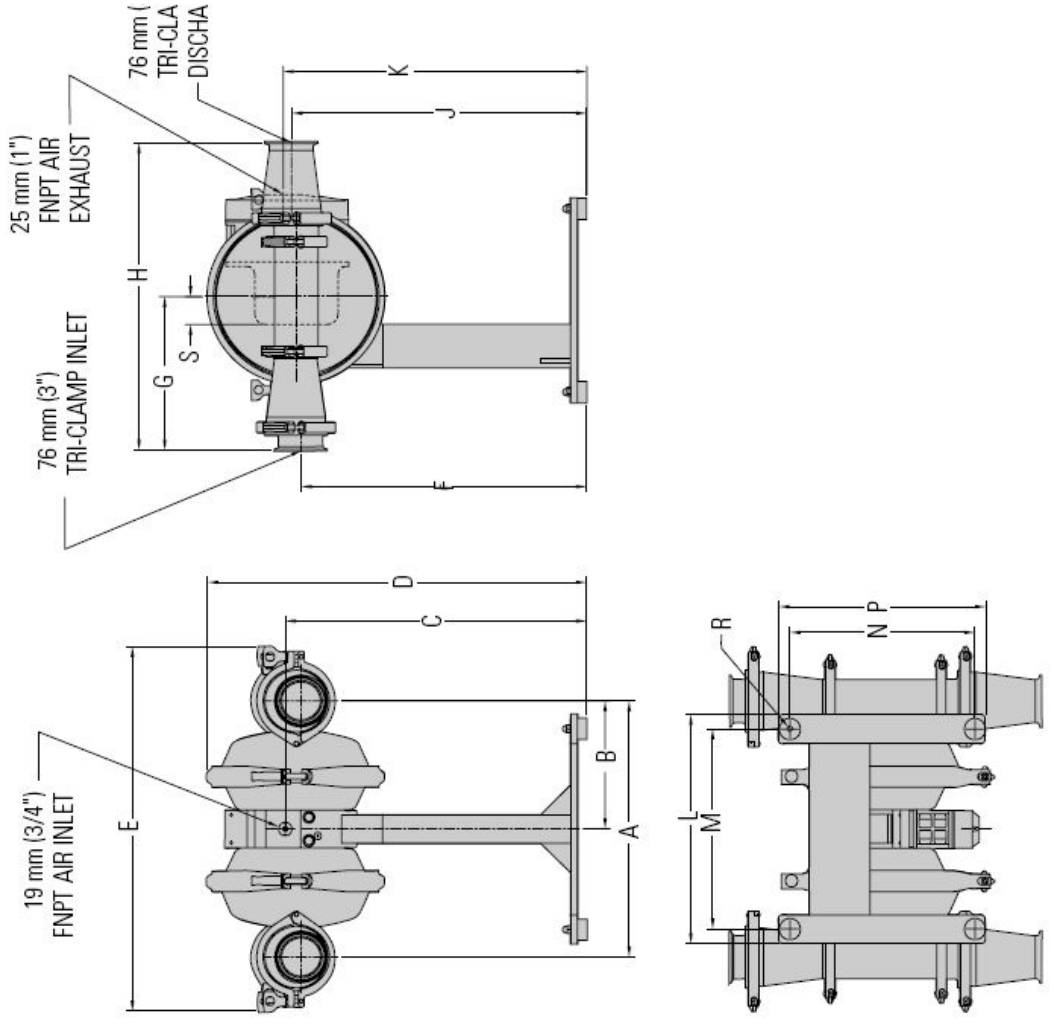
Tel. : 01.34.11.13.73 / Fax : 01.34.11.96.35

E-mail : tdf@techniquesfluides.fr

Site web : www.techniquesfluides.fr



PV15 Saniflo™ LSH



DIMENSIONS

PV15 Saniflo™ LSH Horizontal Mounted With Flap Valve		
ITEM	METRIC (mm)	STANDARD (inch)
A	452	17.8
B	226	8.9
C	518	20.4
D	650	25.6
E	632	24.9
F	493	19.4
G	267	10.5
H	536	21.1
J	508	20.0
K	521	20.5
L	401	15.8
M	351	13.8
N	318	12.5
P	356	14.0
R	∅10	∅0.4
S	48	1.9

TECHNIQUES DES FLUIDES

10 Rue Jean Poulmarch, bat. 3

Z.I. Du Val d'Argent

95100 Argenteuil

Tel. : 01.34.11.13.73 / Fax : 01.34.11.96.35

E-mail : tdf@techniquesfluides.fr

Site web : www.techniquesfluides.fr



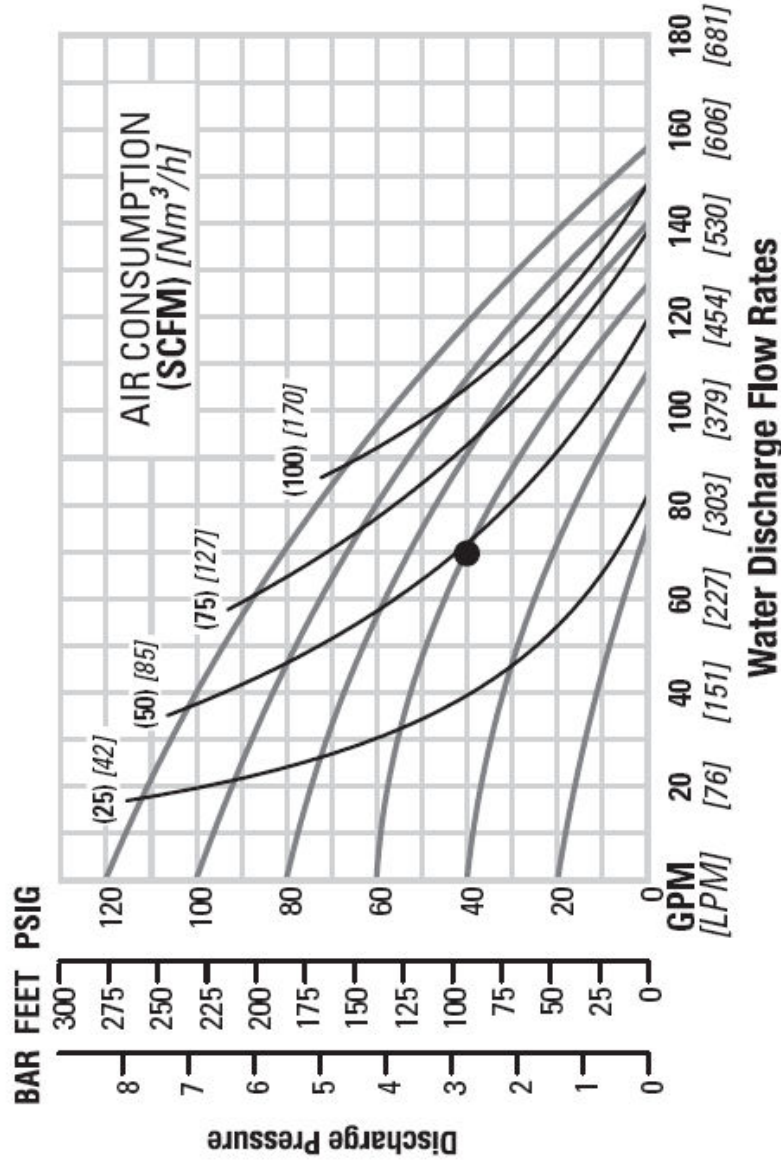
PV8 SANIFLO™ LSH RUBBER-FITTED

Height	800 mm (31.5")
Width	625 mm (24.6")
Depth	368 mm (14.5")
Est. Ship Weight.....	67 Kg (147 lbs.)
Air Inlet.....	19 mm (3/4")
Inlet.....	51 mm (2.0")
Outlet	51 mm (2.0")
Suction Lift	5.9 m Dry (19.3') 9.3 m Wet (30.6')
Displacement/Stroke	2.88 L (.76 gal.)
Max. Flow Rate	592 lpm (157 gpm)
Max. Size Solids (compressible)	
Mushroom Valve	7.9 mm (0.3")
Ball Valve	12.7 mm (0.5")
Flap Valve.....	51 mm (2.0")

¹Displacement per stroke was calculated at 4.8 bar (70 psig) air inlet pressure against a 2 bar (30 psig) head pressure.

Example: To pump 265 lpm (70 gpm) against a discharge pressure head of 2.8 bar (40 psig) requires 4.1 bar (60 psig) and 83 Nm³/h (49 scfm) air consumption.

Caution: Do not exceed 8.6 bar (125 psig) air supply pressure.



Flow rates indicated on chart were determined by pumping water with a vertically mounted, side ported ball check configuration. When alternate check valve options are used, multiply flow rate by appropriate factor. Mushroom check valve = 93%, flap check valve = 143%. For optimum life and performance, pumps should be specified so that daily operation parameters will fall in the center of the pump performance curve.

TECHNIQUES DES FLUIDES

10 Rue Jean Pouilmarch, bat. 3

Z.I. Du Val d'Argent

95100 Argenteuil

Tel. : 01.34.11.13.73 / Fax : 01.34.11.96.35

E-mail : tdf@techniquesfluides.fr

Site web : www.techniquesfluides.fr



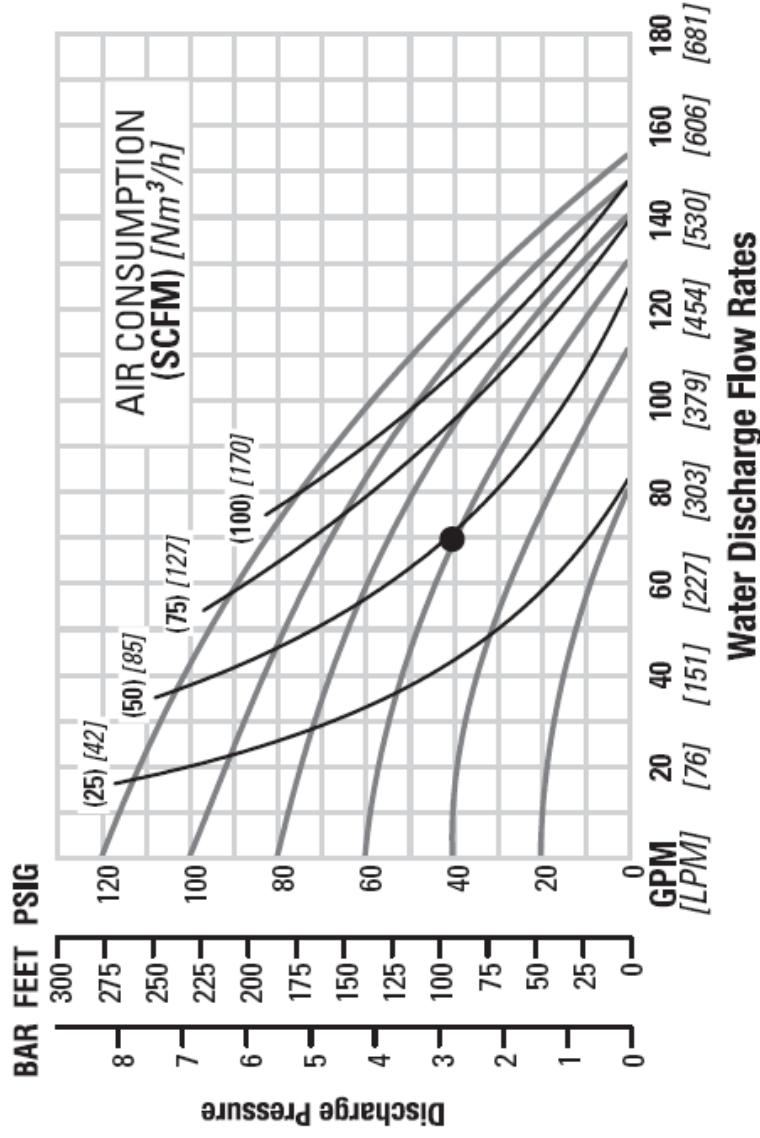
PV8 SANIFLO™ LSH TPE-FITTED

Height	800 mm (31.5")
Width	625 mm (24.6")
Depth	368 mm (14.5")
Est. Ship Weight	67 Kg (147 lbs.)
Air Inlet	19 mm (3/4")
Inlet	51 mm (2.0")
Outlet	51 mm (2.0")
Suction Lift	6.2 m Dry (20.4') 9.3 m Wet (30.6')
Displacement/Stroke	2.99 L (.79 gal.)
Max. Flow Rate	582 lpm (154 gpm)
Max. Size Solids (compressible)	
Mushroom Valve	7.9 mm (0.3")
Ball Valve	12.7 mm (0.5")
Flap Valve	51 mm (2.0")

¹Displacement per stroke was calculated at 4.8 bar (70 psig) air inlet pressure against a 2 bar (30 psig) head pressure.

Example: To pump 265 lpm (70 gpm) against a discharge pressure head of 2.8 bar (40 psig) requires 4.2 bar (61 psig) and 83 Nm³/h (49 scfm) air consumption.

Caution: Do not exceed 8.6 bar (125 psig) air supply pressure.



Flow rates indicated on chart were determined by pumping water with a vertically mounted, side ported ball check configuration. When alternate check valve options are used, multiply flow rate by appropriate factor. Mushroom check valve = 93%, flap check valve = 143%. For optimum life and performance, pumps should be specified so that daily operation parameters will fall in the center of the pump performance curve.

TECHNIQUES DES FLUIDES

10 Rue Jean Poulmarch, bat. 3

Z.I. Du Val d'Argent

95100 Argenteuil

Tel. : 01.34.11.13.73 / Fax : 01.34.11.96.35

E-mail : tdf@techniquesfluides.fr

Site web : www.techniquesfluides.fr



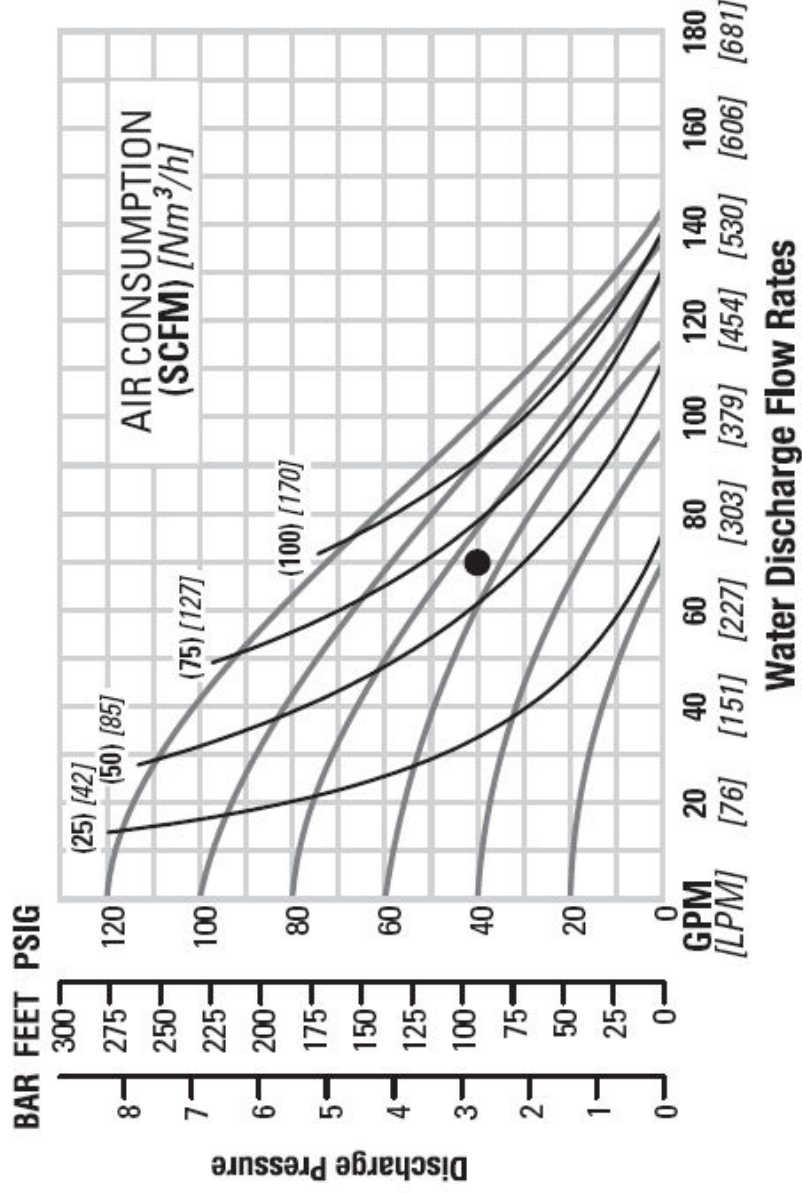
PV8 SANIFLO™ LSH ULTRA-FLEX™ -FITTED

Height	800 mm (31.5")
Width	625 mm (24.6")
Depth	368 mm (14.5")
Est. Ship Weight.....	67 Kg (147 lbs.)
Air Inlet	19 mm (3/4")
Inlet.....	51 mm (2.0")
Outlet.....	51 mm (2.0")
Suction Lift	5.2 m Dry (17.0') 9.3 m Wet (30.6')
Displacement/Stroke	2.00 L (.53 gal.)
Max. Flow Rate	541 lpm (143 gpm)
Max. Size Solids (compressible)	
Mushroom Valve	7.9 mm (0.3")
Ball Valve	12.7 mm (0.5")
Flap Valve.....	51 mm (2.0")

¹Displacement per stroke was calculated at 4.8 bar (70 psig) air inlet pressure against a 2 bar (30 psig) head pressure.

Example: To pump 265 lpm (70 gpm) against a discharge pressure head of 2.8 bar (40 psig) requires 5.0 bar (72 psig) and 107 Nm³/h (63 scfm) air consumption.

Caution: Do not exceed 8.6 bar (125 psig) air supply pressure.



Flow rates indicated on chart were determined by pumping water with a vertically mounted, side ported ball check configuration. When alternate check valve options are used, multiply flow rate by appropriate factor. Mushroom check valve = 97%. For optimum life and performance, pumps should be specified so that daily operation parameters will fall in the center of the pump performance curve.

TECHNIQUES DES FLUIDES

10 Rue Jean Pouilmarch, bat. 3

Z.I. Du Val d'Argent

95100 Argenteuil

Tel. : 01.34.11.13.73 / Fax : 01.34.11.96.35

E-mail : tdf@techniquesfluides.fr

Site web : www.techniquesfluides.fr



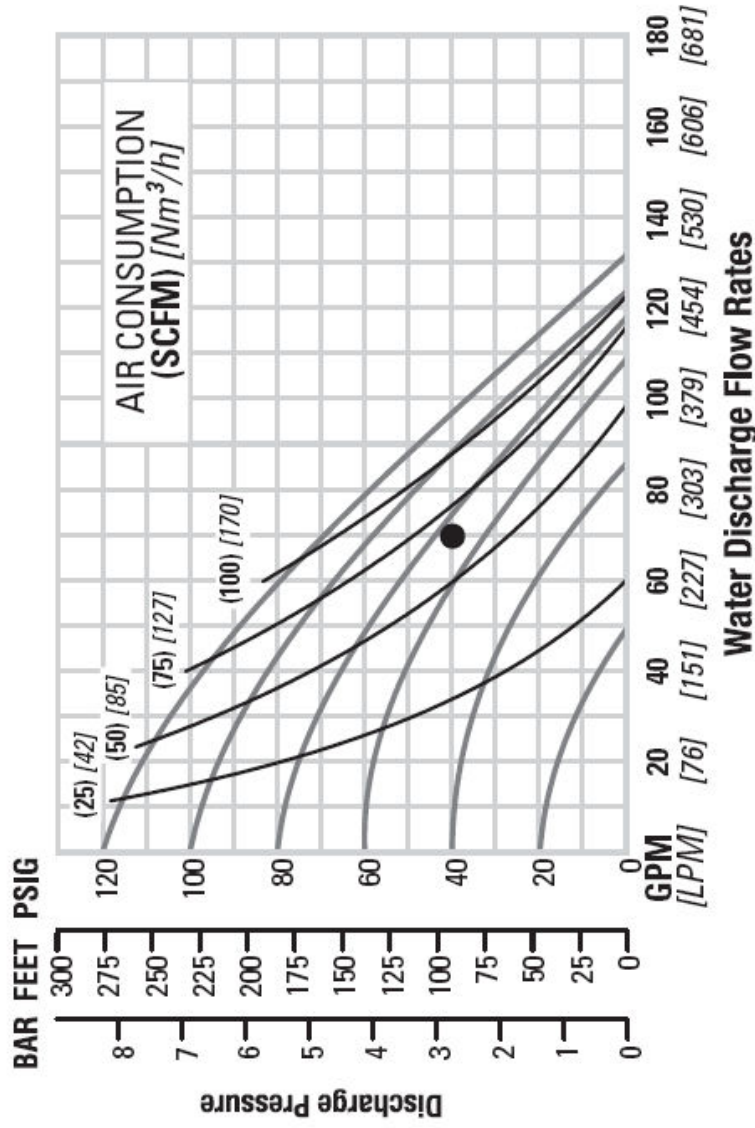
PV8 SANIFLO™ LSH TEFLON®-FITTED

Height	800 mm (31.5")
Width	625 mm (24.6")
Depth	368 mm (14.5")
Est. Ship Weight	67 Kg (147 lbs.)
Air Inlet	19 mm (3/4")
Inlet	51 mm (2.0")
Outlet	51 mm (2.0")
Suction Lift	4.5 m Dry (14.8') 9.0 m Wet (29.5')
Displacement/Stroke	1.78 L (.47 gal.)
Max. Flow Rate	532 lpm (132 gpm)
Max. Size Solids compressible)	
Mushroom Valve	7.9 mm (0.3")
Ball Valve	12.7 mm (0.5")
Flap Valve	51 mm (2.0")

¹Displacement per stroke was calculated at 4.8 bar (70 psig) air inlet pressure against a 2 bar (30 psig) head pressure.

Example: To pump 265 lpm (70 gpm) against a discharge pressure head of 2.8 bar (40 psig) requires 5.2 bar (75 psig) and 110 Nm³/h (65 scfm) air consumption.

Caution: Do not exceed 8.6 bar (125 psig) air supply pressure.



Flow rates indicated on chart were determined by pumping water with a vertically mounted, side ported ball check configuration. When alternate check valve options are used, multiply flow rate by appropriate factor. Mushroom check valve = 88%. For optimum life and performance, pumps should be specified so that daily operation parameters will fall in the center of the pump performance curve.

TECHNIQUES DES FLUIDES

10 Rue Jean Pouilmarch, bat. 3

Z.I. Du Val d'Argent

95100 Argenteuil

Tel. : 01.34.11.13.73 / Fax : 01.34.11.96.35

E-mail : tdf@techniquesfluides.fr

Site web : www.techniquesfluides.fr



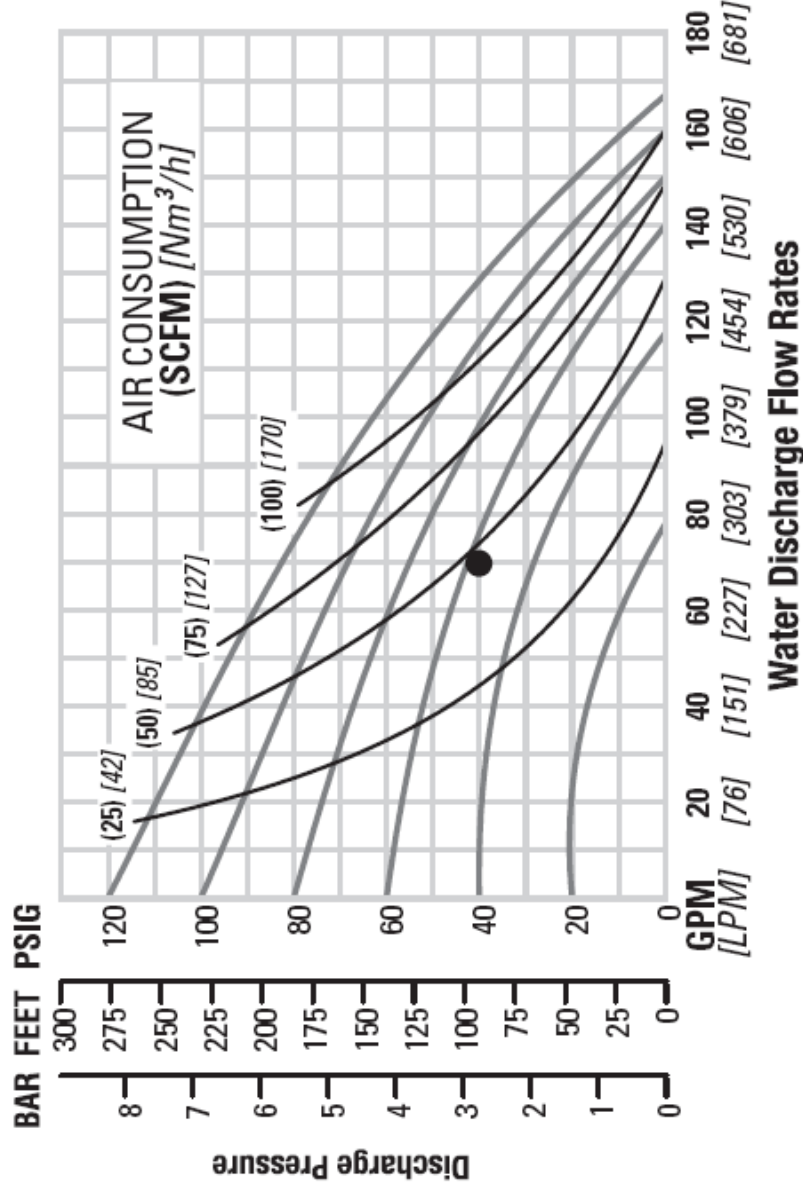
PV15 SANIFLO™ LSH RUBBER-FITTED

Height	864 mm (34.0")
Width	638 mm (25.1")
Depth	368 mm (14.5")
Est. Ship Weight.....	71 Kg (156 lbs.)
Air Inlet	19 mm (3/4")
Inlet.....	76 mm (3.0")
Outlet	76 mm (3.0")
Suction Lift	6.4 m Dry (21.1') 9.3 m Wet (30.6')
Displacement/Stroke	2.84 L (.75 gal.)
Max. Flow Rate	632 lpm (167 gpm)
Max. Size Solids (compressible)	
Mushroom Valve	7.9 mm (0.3")
Ball Valve	12.7 mm (0.5")
Flap Valve.....	76 mm (3.0")

¹Displacement per stroke was calculated at 4.8 bar (70 psig) air inlet pressure against a 2 bar (30 psig) head pressure.

Example: To pump 265 lpm (70 gpm) against a discharge pressure head of 2.8 bar (40 psig) requires 4.0 bar (58 psig) and 80 Nm³/h (47 scfm) air consumption.

Caution: Do not exceed 8.6 bar (125 psig) air supply pressure.



Flow rates indicated on chart were determined by pumping water with a vertically mounted, side ported ball check configuration. When alternate check valve options are used, multiply flow rate by appropriate factor. Mushroom check valve = 114%, flap check valve = 150%. For optimum life and performance, pumps should be specified so that daily operation parameters will fall in the center of the pump performance curve.

TECHNIQUES DES FLUIDES

10 Rue Jean Poulmarch, bat. 3

Z.I. Du Val d'Argent

95100 Argenteuil

Tel. : 01.34.11.13.73 / Fax : 01.34.11.96.35

E-mail : tdf@techniquesfluides.fr

Site web : www.techniquesfluides.fr



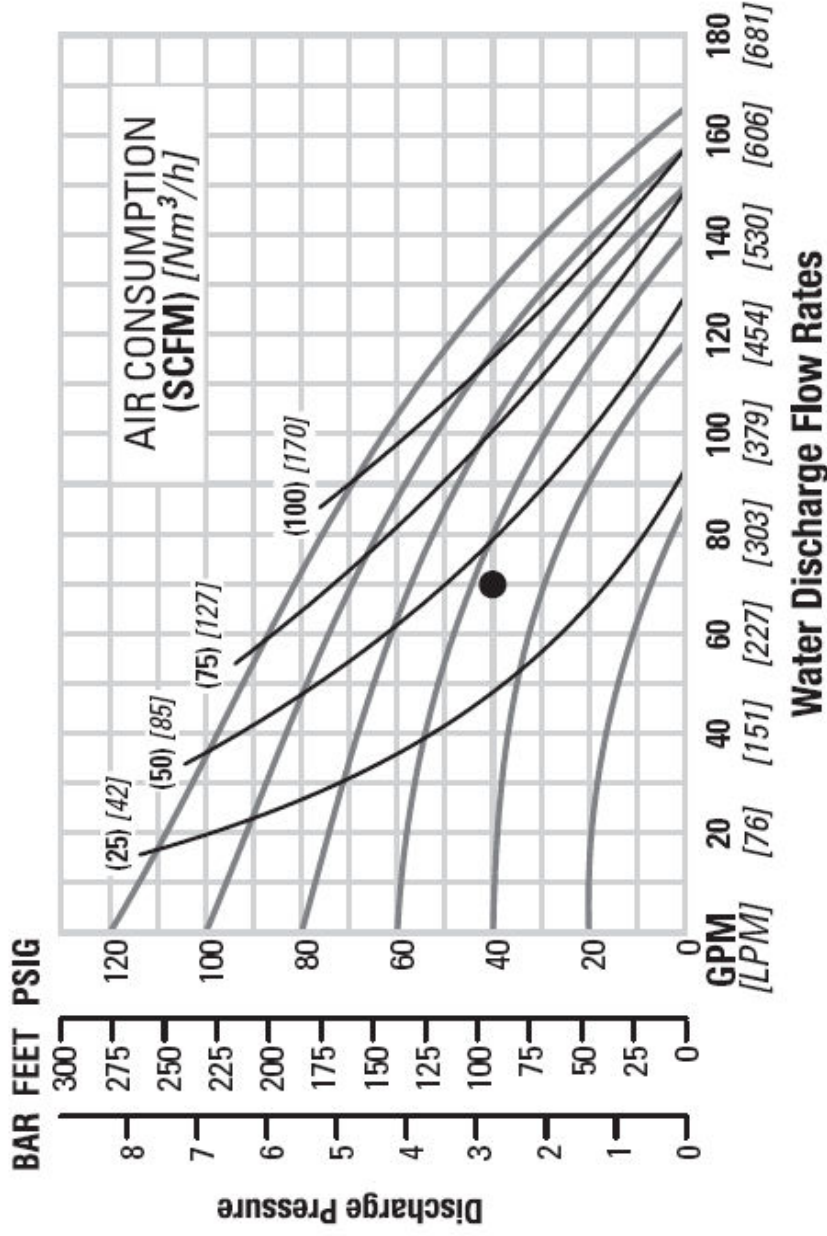
PV15 SANIFLO™ LSH TPE-FITTED

Height	864 mm (34.0")
Width	638 mm (25.1")
Depth	368 mm (14.5")
Est. Ship Weight.....	71 (156 lbs.)
Air Inlet	19 mm (3/4")
Inlet.....	76 mm (3.0")
Outlet.....	76 mm (3.0")
Suction Lift	5.2 m Dry (17.0') 9.3 m Wet (30.6')
Displacement/Stroke	2.95 L (.78 gal.)
Max. Flow Rate	624 lpm (165 gpm)
Max. Size Solids (compressible)	
Mushroom Valve	7.9 mm (0.3")
Ball Valve	12.7 mm (0.5")
Flap Valve.....	76 mm (3.0")

¹Displacement per stroke was calculated at 4.8 bar (70 psig) air inlet pressure against a 2 bar (30 psig) head pressure.

Example: To pump 265 lpm (70 gpm) against a discharge pressure head of 2.8 bar (40 psig) requires 3.8 bar (55 psig) and 73 Nm³/h (43 scfm) air consumption..

Caution: Do not exceed 8.6 bar (125 psig) air supply pressure.



Flow rates indicated on chart were determined by pumping water with a vertically mounted, side ported ball check configuration. When alternate check valve options are used, multiply flow rate by appropriate factor. Mushroom check valve = 98%, flap check valve = 150%. For optimum life and performance, pumps should be specified so that daily operation parameters will fall in the center of the pump performance curve.

TECHNIQUES DES FLUIDES

10 Rue Jean Poulmarch, bat. 3

Z.I. Du Val d'Argent

95100 Argenteuil

Tel. : 01.34.11.13.73 / Fax : 01.34.11.96.35

E-mail : tdf@techniquesfluides.fr

Site web : www.techniquesfluides.fr



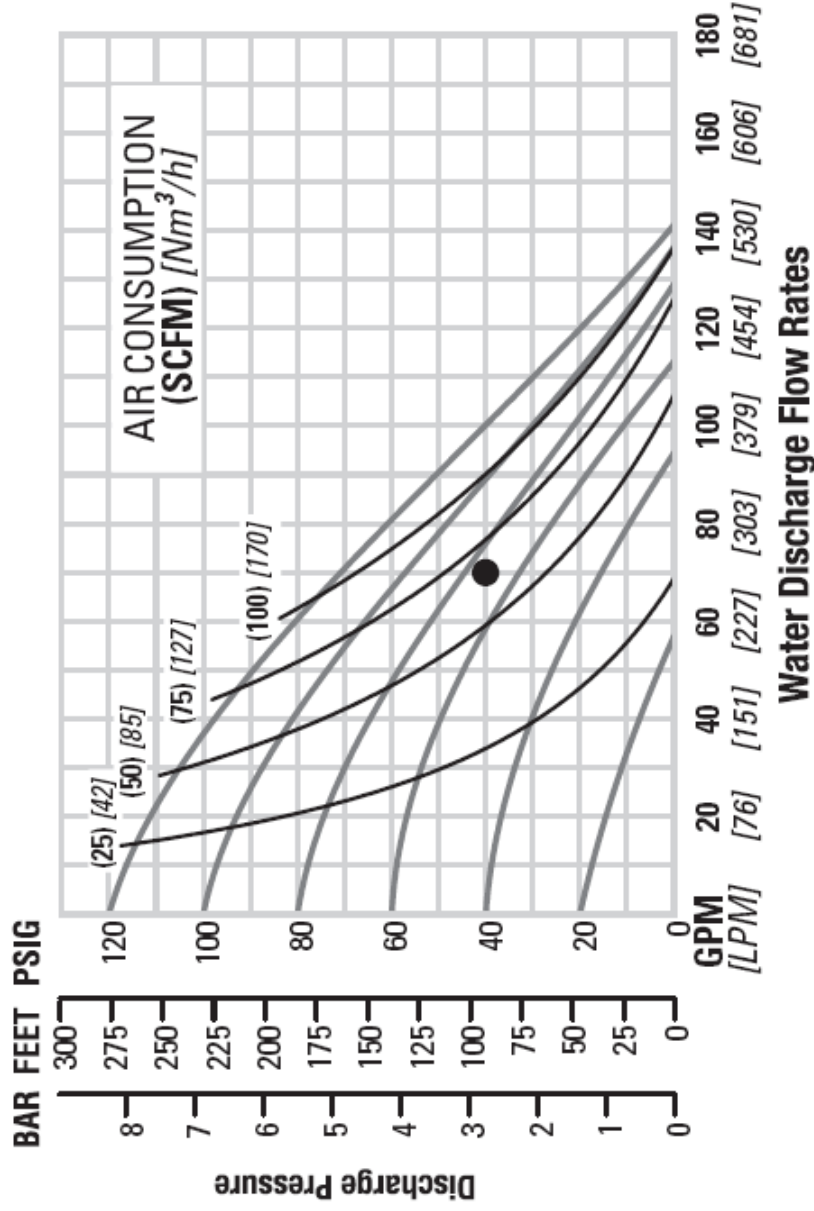
PV15 SANIFLO™ LSH TEFLON®-FITTED

Height	864 mm (34.0")
Width	638 mm (25.1")
Depth	368 mm (14.5")
Est. Ship Weight.....	71 (156 lbs.)
Air Inlet	19 mm (3/4")
Inlet	76 mm (3.0")
Outlet,	76 mm (3.0")
Suction Lift	4.7 m Dry (15.4') 9.0 m Wet (29.5')
Displacement/Stroke	1.82 L (.48 gal.)
Max. Flow Rate	532 lpm (141 gpm)
Max. Size Solids (compressible)	
Mushroom Valve	7.9 mm (0.3")
Ball Valve	12.7 mm (0.5")
Flap Valve.....	76 mm (3.0")

¹Displacement per stroke was calculated at 4.8 bar (70 psig) air inlet pressure against a 2 bar (30 psig) head pressure.

Example: To pump 265 lpm (70 gpm) against a discharge pressure head of 2.8 bar (40 psig) requires 5.0 bar (73 psig) and 110 Nm³/h (65 scfm) air consumption.

Caution: Do not exceed 8.6 bar (125 psig) air supply pressure.



Flow rates indicated on chart were determined by pumping water with a vertically mounted, side ported ball check configuration. When alternate check valve options are used, multiply flow rate by appropriate factor. Mushroom check valve = 86%. For optimum life and performance, pumps should be specified so that daily operation parameters will fall in the center of the pump performance curve.

TECHNIQUES DES FLUIDES

10 Rue Jean Poulmarch, bat. 3

Z.I. Du Val d'Argent

95100 Argenteuil

Tel. : 01.34.11.13.73 / Fax : 01.34.11.96.35

E-mail : tdf@techniquesfluides.fr

Site web : www.techniquesfluides.fr



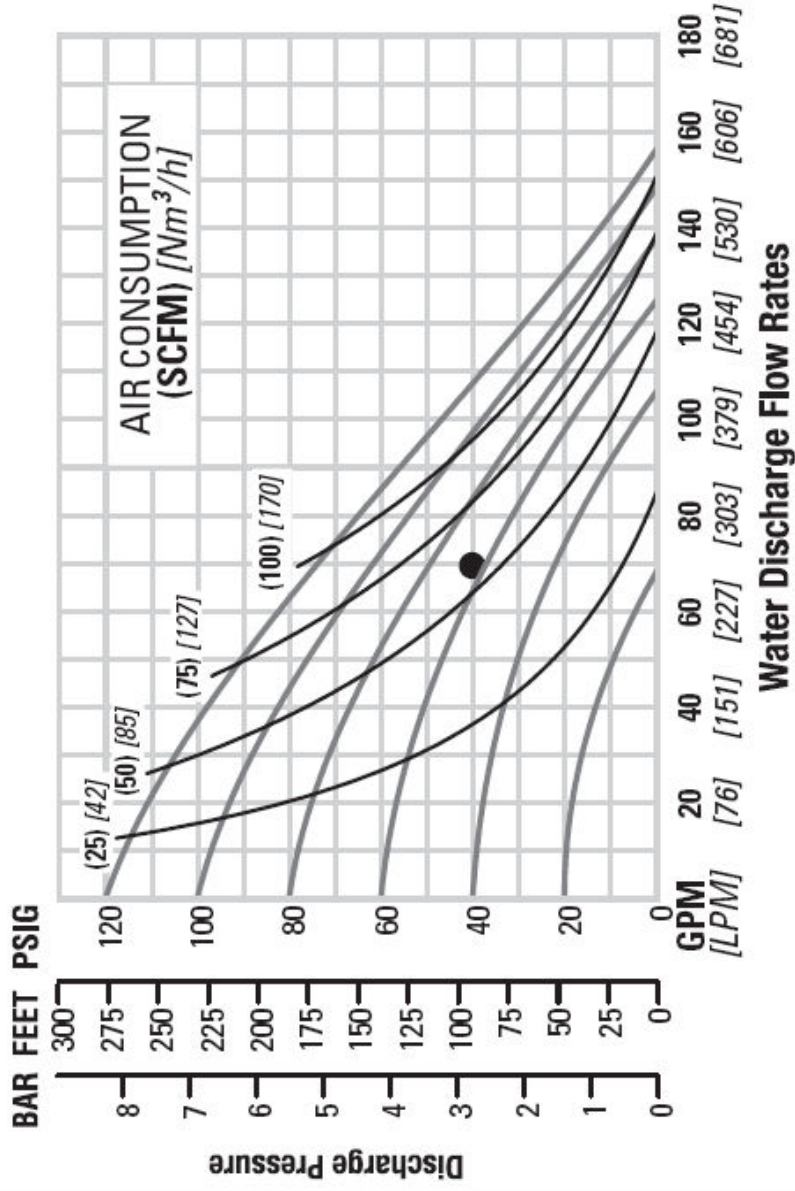
PV15 SANIFLO™ LSH ULTRA-FLEX™ -FITTED

Height	864 mm (34.0")
Width	638 mm (25.1")
Depth	368 mm (14.5")
Est. Ship Weight	71 (156 lbs.)
Air Inlet	19 mm (3/4")
Inlet	76 mm (3.0")
Outlet,	76 mm (3.0")
Suction Lift	4.5 m Dry (14.8') 9.3 m Wet (30.6')
Displacement/Stroke	2.00 L (.53 gal.)
Max. Flow Rate	594 lpm (157 gpm)
Max. Size Solids (compressible)	
Mushroom Valve	7.9 mm (0.3")
Ball Valve	12.7 mm (0.5")
Flap Valve	76 mm (3.0")

¹Displacement per stroke was calculated at 4.8 bar (70 psig) air inlet pressure against a 2 bar (30 psig) head pressure.

Example: To pump 265 lpm (70 gpm) against a discharge pressure head of 2.8 bar (40 psig) requires 4.4 bar (64 psig) and 97 Nm³/h (57 scfm) air consumption.

Caution: Do not exceed 8.6 bar (125 psig) air supply pressure.



Flow rates indicated on chart were determined by pumping water with a vertically mounted, side ported ball check configuration. When alternate check valve options are used, multiply flow rate by appropriate factor. Mushroom check valve = 93%. For optimum life and performance, pumps should be specified so that daily operation parameters will fall in the center of the pump performance curve.