

Auro Type X/S - X/S-L

Description

- Cartridge Balanced Design
- Monolithic seal face (Special shape design)
- Rotation: CW, CCW
- Single Seal with Throttle Ring or Lip-Ring
- Designed and Manufacturer in Toledo-Spain (EU)

Technical Features

- Easy Installation
- Ideal for Standardizations
- Avoid damage during installation
- FLUSH, QUENCH, DRAIN with Throttle Ring (Type X/S)
- FLUSH, QUENCH, DRAIN with Lip-Ring (Type X/S-L)

Materials

- **Rotary Seal:** SiC (SS), SiC-XtraDiamond™ (SD), TC (TN)
- **Stationary Seal:** SiC (SS), SiC-XtraDiamond™ (SD), TC (TN), CAR (CR)
- **Secondary seals:** FKM (V), EPDM (E), FFKM-XtraLast™(K)
- **Springs:** Hastelloy® C-4/C-2/C-276 (M)
- **Metal Parts:** 1.4404-316L (6L)
- **Throttle Ring:** PTFE-Carbon/Graphite
- **Lip-Ring:** NBR/FKM
- *Special Materials under request*

Performance Capabilities

- **Sizes:** from 25mm up to 100mm
- **Temperature:** from -40°C to +280°C (depending O-Ring resistance)
- **Pressure:** up to 25bar (depending PV Factor)
- **Speed:** up to 16m/s (depending PV Factor)
- **Quench/Drain (Type X/S):** unpressurized fluid (Water/Steam)
- **Quench/Drain (Type X/S-L):** fluid up to 1bar (Water/Steam/Oil)
- **Ready for API Plan:** 11/13/21/31/32/51/61/62/65

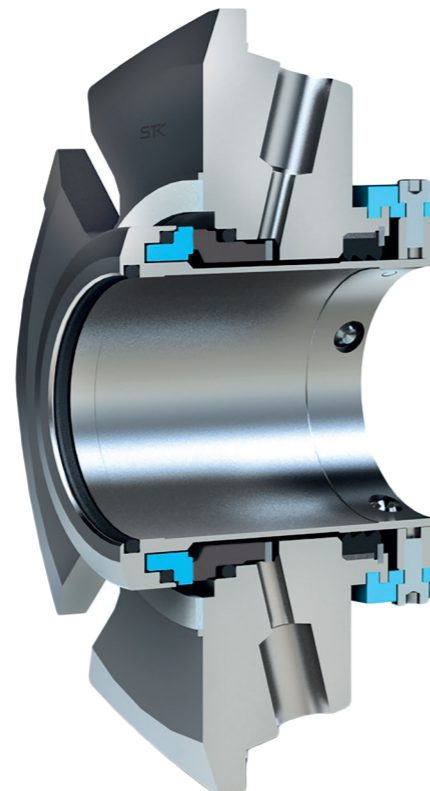
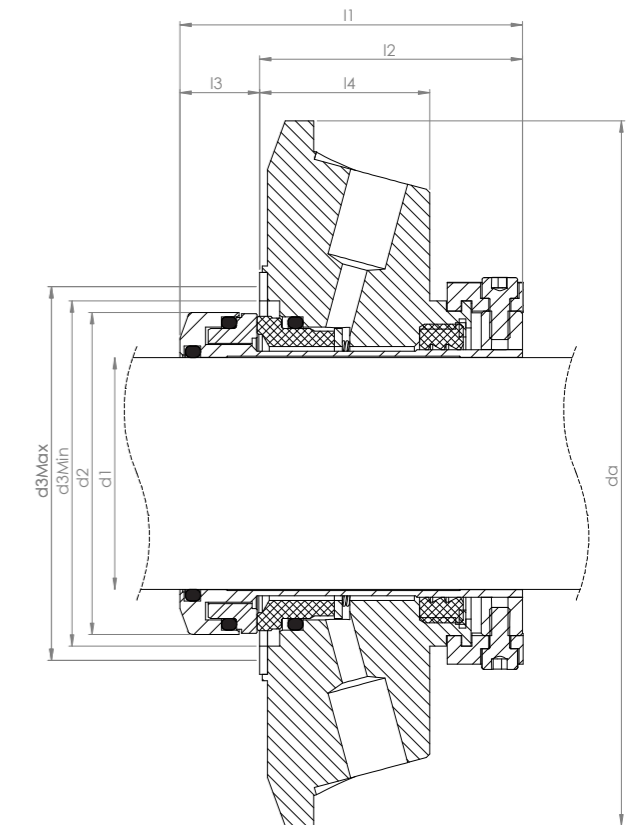
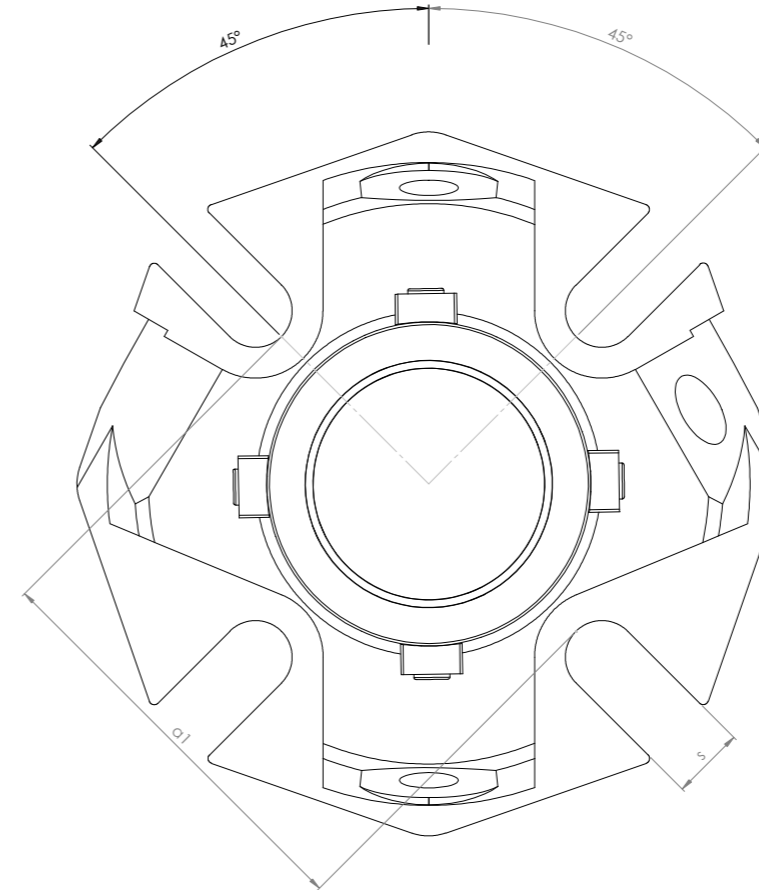
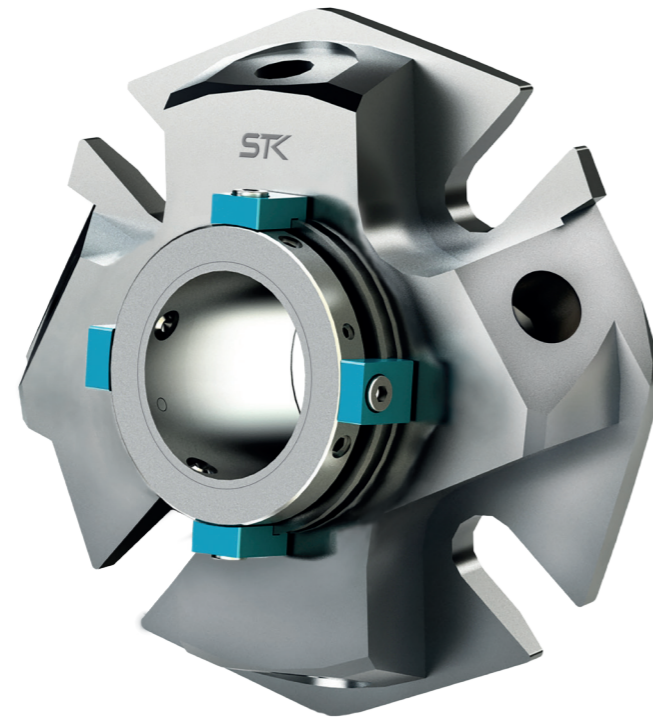
Standards

COMPANY WITH MANAGEMENT SYSTEM CERTIFIED BY DNV ISO 9001-ISO 14001
 FDA ATEX
 Manufacturing according ISO 9001/14001
 Dimension according: EN-ISO 3069
 For pumps: EN-ISO 2858 and EN-ISO 5199
 Optionals: FDA, ATEX, *Others under request*

Industrial Applications

- Chemical Industry
- Food and Beverage Industry
- Petrochemical Industry
- Pharmaceutical Industry
- Water and Waste Water
- Centrifugal Pumps
- Process Pumps

Installation, Details, Options



Dimensional Data in millimeter

d1	d2	d3min.	d3max.	l1	l2	l3	l4	a1	da	s	FLUSH	Q/D
25	43,00	44,00	55,00	66,50	50,50	16,00	32,50	62,00	105,00	13,20	3/8 NPT	1/4 NPT
28	46,00	47,00	55,00	66,50	50,50	16,00	32,50	62,00	105,00	13,20	3/8 NPT	1/4 NPT
30	48,00	49,00	60,00	66,50	50,50	16,00	32,50	65,00	110,00	13,20	3/8 NPT	1/4 NPT
32	50,00	51,00	62,00	66,50	50,50	16,00	32,50	67,00	110,00	13,20	3/8 NPT	1/4 NPT
33	50,00	51,00	62,00	66,50	50,50	16,00	32,50	67,00	110,00	13,20	3/8 NPT	1/4 NPT
35	53,00	54,00	65,00	66,50	50,50	16,00	32,50	70,00	123,00	13,20	3/8 NPT	1/4 NPT
38	56,00	57,00	70,00	66,50	50,50	16,00	32,50	75,00	123,00	14,20	3/8 NPT	1/4 NPT
40	58,00	59,00	73,00	66,50	50,50	16,00	32,50	78,00	133,00	14,20	3/8 NPT	1/4 NPT
42	60,50	61,50	75,00	66,50	50,50	16,00	32,50	80,00	133,00	14,20	3/8 NPT	1/4 NPT
43	60,50	61,50	75,00	66,50	50,50	16,00	32,50	80,00	133,00	14,20	3/8 NPT	1/4 NPT
45	62,50	64,00	76,00	66,50	50,50	16,00	32,50	81,00	138,00	14,20	3/8 NPT	1/4 NPT
48	65,50	67,00	79,00	66,50	50,50	16,00	32,50	84,00	148,00	14,20	3/8 NPT	1/4 NPT
50	68,00	69,00	82,00	66,50	50,50	16,00	32,50	87,00	148,00	18,00	3/8 NPT	1/4 NPT
53	72,00	73,00	84,00	66,50	50,50	16,00	32,50	89,00	148,00	18,00	3/8 NPT	1/4 NPT
55	73,00	74,00	85,00	66,50	50,50	16,00	32,50	90,00	148,00	18,00	1/2 NPT	1/4 NPT
60	78,00	79,00	96,00	66,50	50,50	16,00	32,50	102,00	157,00	18,00	1/2 NPT	1/4 NPT
65	84,80	86,00	103,00	66,50	50,50	16,00	32,50	109,00	163,00	18,00	1/2 NPT	3/8 NPT
70	93,00	95,00	112,00	66,50	50,50	16,00	32,50	118,00	178,00	18,00	1/2 NPT	3/8 NPT
75	98,00	100,00	121,00	74,00	51,50	22,50	33,50	129,00	190,00	18,00	3/4 NPT	3/8 NPT
80	103,00	105,00	128,00	74,00	51,50	22,50	33,50	135,00	195,00	18,00	3/4 NPT	3/8 NPT
85	109,00	111,00	132,00	74,00	51,50	22,50	33,50	139,00	198,00	22,00	3/4 NPT	3/8 NPT
90	114,00	116,00	138,00	74,00	51,50	22,50	33,50	145,00	205,00	22,00	3/4 NPT	3/8 NPT
95	119,00	121,00	141,00	74,00	51,50	22,50	33,50	148,00	208,00	22,00	3/4 NPT	3/8 NPT
100	124,00	126,00	147,00	74,00	51,50	22,50	33,50	154,00	218,00	22,00	3/4 NPT	3/8 NPT

Additional technical & dimensional information will be provided on request.

Description

- Cartridge Balanced Design
- Monolithic seal face (Special shape design)
- Rotation: CW, CCW
- Double Seal
- With pumping ring inside
- Designed and Manufacturer in Toledo-Spain (EU)

Technical Features

- Easy Installation
- Ideal for Standardizations
- Avoid damage during installation
- LBI (Liquid Barrier/Buffer In) - LBO (Liquid Barrier/Buffer Out)


Materials

- **Rotary Seal:** SiC (SS), SiC-XtraDiamond™ (SD), TC (TN)
- **Stationary Seal:** SiC (SS), SiC-XtraDiamond™ (SD), TC (TN), CAR (CR)
- **Secondary seals:** FKM (V), EPDM (E), FFKM-XtraLast™(K)
- **Springs:** Hastelloy® C-4/C-2/C-276 (M)
- **Metal Parts:** 1.4404-316L (6L)
- *Special Materials under request*

Performance Capabilities

- **Sizes:** from 25mm up to 100mm
- **Temperature:** from -40°C to +280°C (depending O-Ring resistance)
- **Pressure P1:** up to 25bar (depending PV Factor)
- **Pressure P2:** up to 25bar (depending PV Factor)
- **Barrier fluid: P2<P1:** from 1,7bar to 2,7bar
- **Speed:** up to 16m/s (depending PV Factor)
- **Ready for API Plan:** 52/53A/53B/53C/54/55

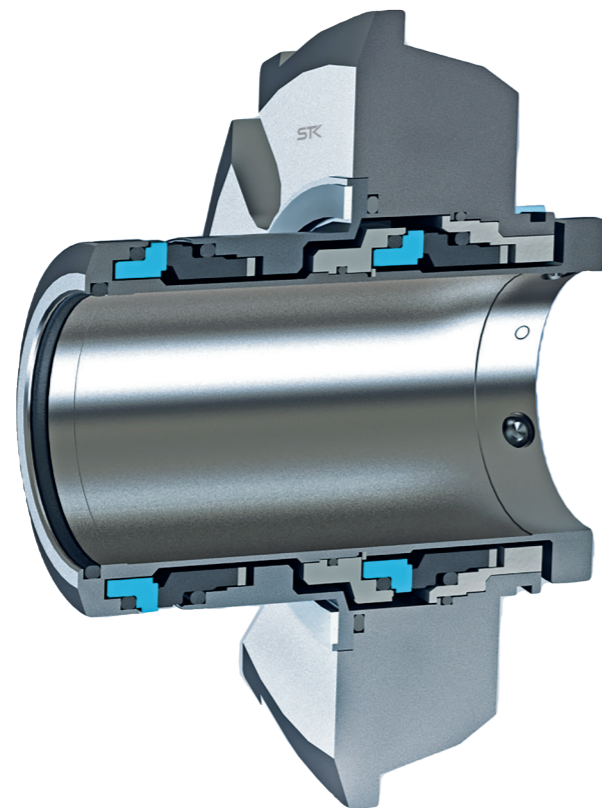
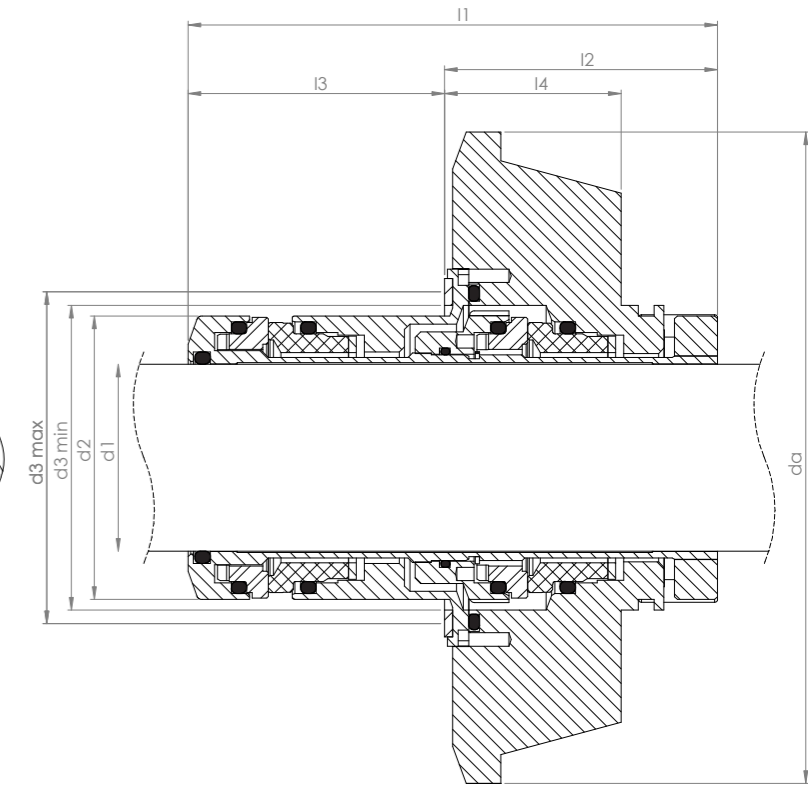
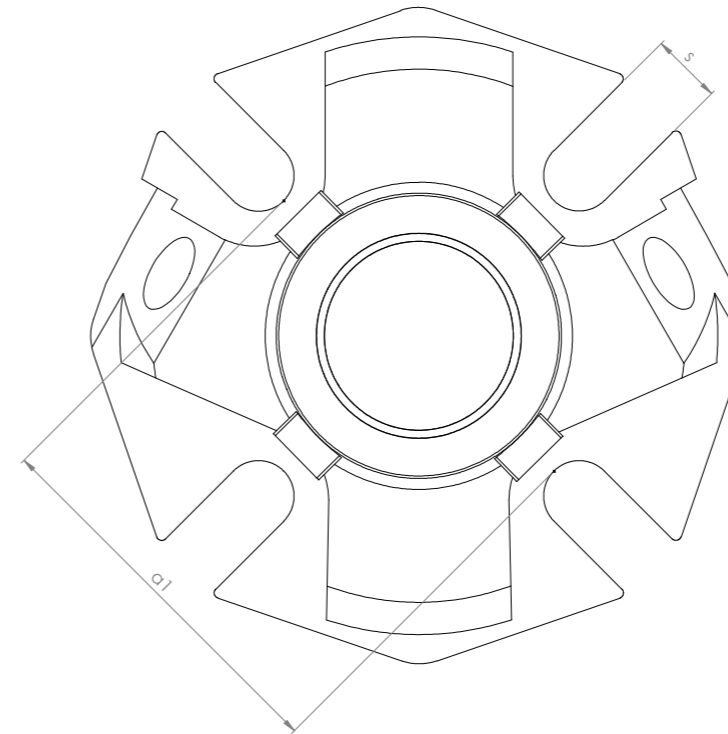
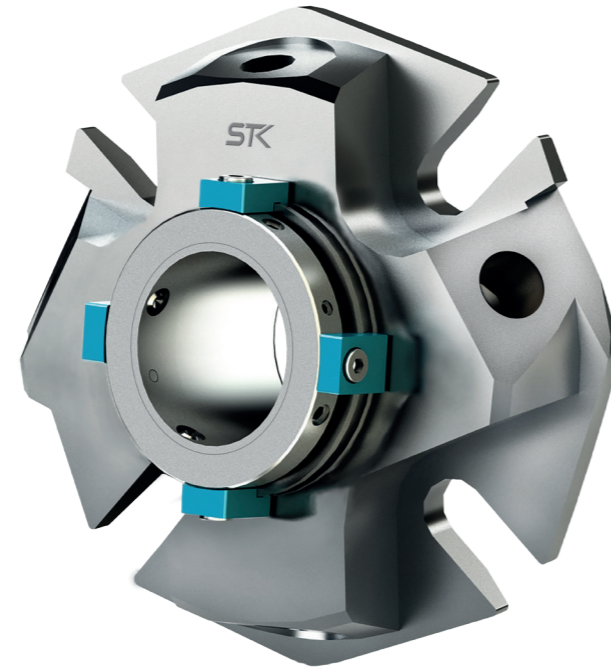
Standards


 COMPANY WITH MANAGEMENT SYSTEM CERTIFIED BY ISO 9001 • ISO 14001
Manufacturing according ISO 9001/14001
Dimension according: EN-ISO 3069
For pumps: EN-ISO 2858 and EN-ISO 5199
Optionals: FDA, ATEX, Others under request

Industrial Applications


-  Chemical Industry
-  Food and Beverage Industry
-  Petrochemical Industry
-  Pharmaceutical Industry
-  Water and Waste Water
-  Centrifugal Pumps
-  Process Pumps

Installation, Details, Options



Dimensional Data in millimeter

d1	d2	d3 min	d3 max	l1	l2	l3	l4	a1	da	s	LBI/LBO
25	43,00	44,00	55,00	99,00	50,50	48,50	31,50	62,00	105,00	13,20	3/8 NPT
28	46,00	47,00	55,00	99,00	50,50	48,50	31,50	62,00	105,00	13,20	3/8 NPT
30	48,00	49,00	60,00	99,00	50,50	48,50	31,50	65,00	110,00	13,20	3/8 NPT
32	50,00	51,00	62,00	99,00	50,50	48,50	31,50	67,00	110,00	13,20	3/8 NPT
33	50,00	51,00	62,00	99,00	50,50	48,50	31,50	67,00	110,00	13,20	3/8 NPT
35	53,00	54,00	65,00	99,00	50,50	48,50	31,50	70,00	123,00	13,20	3/8 NPT
38	56,00	57,00	70,00	99,00	50,50	48,50	31,50	75,00	123,00	14,20	3/8 NPT
40	58,00	59,00	73,00	99,00	50,50	48,50	31,50	78,00	133,00	14,20	3/8 NPT
42	60,50	61,50	75,00	99,00	50,50	48,50	31,50	80,00	133,00	14,20	3/8 NPT
43	60,50	61,50	75,00	99,00	50,50	48,50	31,50	80,00	133,00	14,20	3/8 NPT
45	62,50	64,00	73,00	99,00	50,50	48,50	31,50	81,00	138,00	14,20	3/8 NPT
48	65,50	67,00	79,00	99,00	50,50	48,50	31,50	84,00	148,00	14,20	3/8 NPT
50	68,00	69,00	82,00	99,00	50,50	48,50	31,50	87,00	148,00	18,00	3/8 NPT
53	72,00	73,00	84,00	99,00	50,50	48,50	31,50	89,00	148,00	18,00	3/8 NPT
55	73,00	74,00	85,00	99,00	50,50	48,50	31,50	90,00	148,00	18,00	1/2 NPT
60	78,00	79,00	96,00	99,00	50,50	48,50	31,50	102,00	157,00	18,00	1/2 NPT
65	84,80	86,00	103,00	99,00	50,50	48,50	31,50	109,00	163,00	18,00	1/2 NPT
70	93,00	95,00	112,00	99,00	50,50	48,50	31,50	118,00	178,00	18,00	1/2 NPT
75	98,00	100,00	121,00	115,00	57,60	57,40	40,30	129,00	190,00	18,00	3/4 NPT
80	103,00	105,00	128,00	115,00	57,60	57,40	40,30	135,00	195,00	18,00	3/4 NPT
85	109,00	111,00	132,00	115,00	57,60	57,40	40,30	139,00	198,00	22,00	3/4 NPT
90	114,00	116,00	138,00	115,00	57,60	57,40	40,30	145,00	205,00	22,00	3/4 NPT
95	119,00	121,00	141,00	115,00	57,60	57,40	40,30	148,00	208,00	22,00	3/4 NPT
100	124,00	126,00	147,00	115,00	57,60	57,40	40,30	154,00	218,00	22,00	3/4 NPT

 Additional technical & dimensional information will be provided on request.